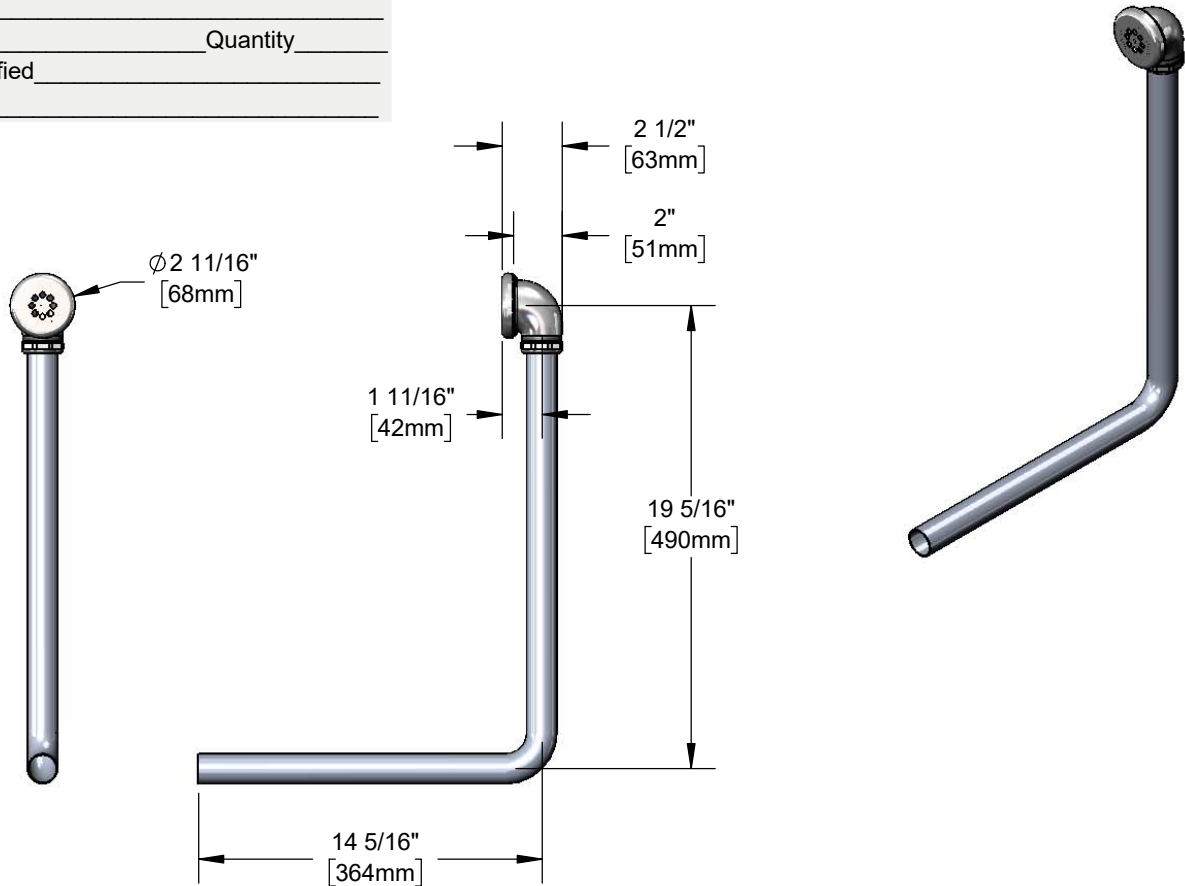




Architect/Engineering Specifications:

Waste drain overflow tube assembly with ϕ 1 1/4" tube, head and elbow tube. Certified to ASME A112.18.2/CSA B125.2

Job Name _____
 Model Specified _____ Quantity _____
 Variations Specified _____
 Date _____



Features & Benefits:

- ϕ 1 1/4" overflow tube assembly outlet w/ head and elbow tube
- Material: Chrome plated brass

Product Compliance:

- ASME A112.18.2 / CSA B125.2



Warranty: One Year (Limited)

Performance Data:

- N/A

