

*This Space for Architect/Engineer Approval*

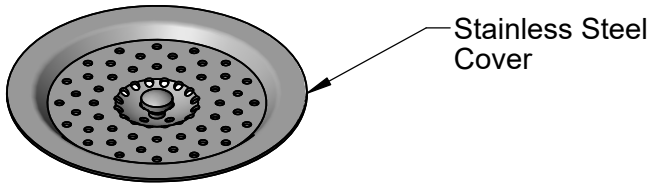
Job Name \_\_\_\_\_ Date \_\_\_\_\_

Model Specified \_\_\_\_\_ Quantity \_\_\_\_\_

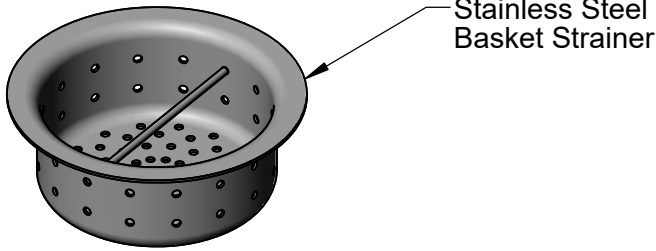
Customer/Wholesaler \_\_\_\_\_

Contractor \_\_\_\_\_

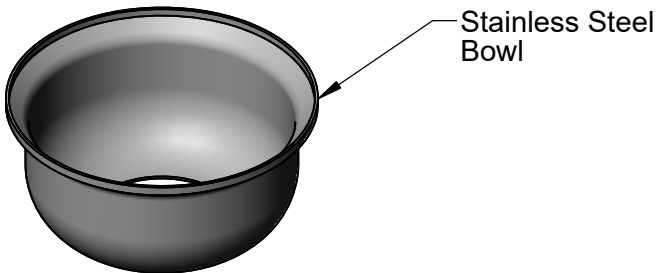
Architect/Engineer \_\_\_\_\_



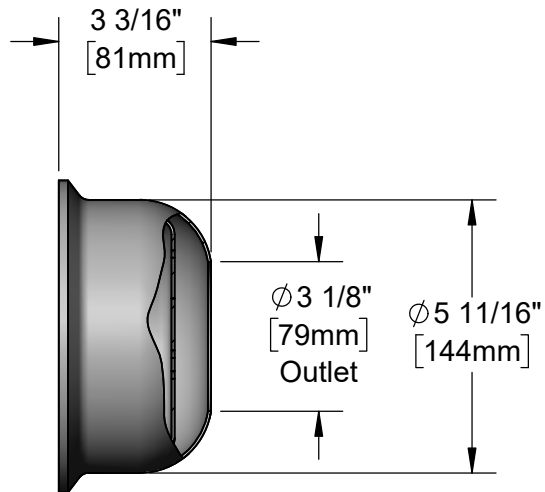
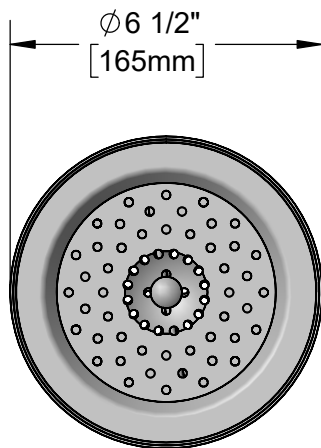
Stainless Steel Cover



Stainless Steel Basket Strainer



Stainless Steel Bowl



Model Number

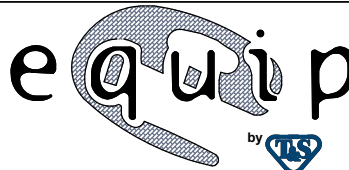
**5KS-0001**

Product Specifications:

**3-Piece Stainless Steel Basket Strainer Assembly**

Product Compliance:

equip  
Foodservice  
Accessories



2 Saddleback Cove, P.O. Box 1088  
Travelers Rest, South Carolina 29690  
Phone: 800.891.4808 Fax: 800.868.0084  
equip.tsbrass.com

Drawn: MRC

Checked: JRM

Approved: JHB

Date: 06/18/20

Scale: 1:4

Sheet: 1 of 1