



# T&S BRASS AND BRONZE WORKS, INC.

2 Saddleback Cove / P.O. Box 1088  
Travelers Rest, SC 29690

Model No.

**BF-0140**

Item No.

Travelers Rest, SC: 800-476-4103 • Simi Valley, CA: 800-423-0150 • Fax: 864-834-3518 • www.tsbrass.com

This Space for Architect/Engineer Approval

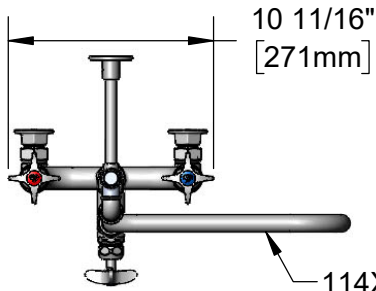
Job Name \_\_\_\_\_ Date \_\_\_\_\_

Model Specified \_\_\_\_\_ Quantity \_\_\_\_\_

Customer/Wholesaler \_\_\_\_\_

Contractor \_\_\_\_\_

Architect/Engineer \_\_\_\_\_



10 11/16"  
[271mm]

114X  
Big-Flo  
12" Swing Nozzle w/  
Plain End Outlet

Balancer

14 1/16"  
[357mm]

B-0970-FE  
Vacuum  
Breaker

B-0109-01  
6" Wall  
Bracket

52 3/8"  
[1331mm]

68" Flexible Stainless  
Steel Hose

3/8" NPT x 18"  
Riser

B-0107-C35  
0.65 GPM  
Low Flow  
Angled Spray Valve

3/8" NPT Pipe  
Coupling

3/8" NPT x 24"  
Riser

12"  
[305mm]

2 3/8"  
[60mm]

17 15/16"  
[455mm]

B-0286-LNEZ  
Big-Flo  
EasyInstall  
Add-On Faucet w/  
4-Arm Handle &  
12" Swing Nozzle

13 1/2"  
[344mm]

13 11/16"  
[348mm]

Internal  
Check Valves

Ø 2" [51mm]  
Flanges w/  
3/4" NPT  
Female Inlets

2 1/2"  
[64mm]

8"  
[203mm]  
Adjustable From  
7 3/4" to 8 1/4"  
[197mm to 210mm]

Big-Flo Cartridges  
w/ 4-Arm Handles &  
Color Coded Indexes

**Product Specifications:**

Pre-Rinse Unit: 8" Wall Mount Big-Flo Mixing Faucet w/ Internal Check Valves, 4-Arm Handles, 6" Wall Supports, Vacuum Breaker, 68" Flexible Stainless Steel Hose, 0.65 GPM Angled Low Flow Spray Valve, Add-On Faucet, 12" Swing Nozzle w/ Plain End Outlet & 3/4" NPT Female Inlets

**Product Compliance:**

ASME A112.18.1 / CSA B125.1  
NSF 61 - Section 9  
NSF 372 (Low Lead Content)  
CSA B64.8 (VB)  
2019 DOE PRSV - Class I



# T&S BRASS AND BRONZE WORKS, INC.

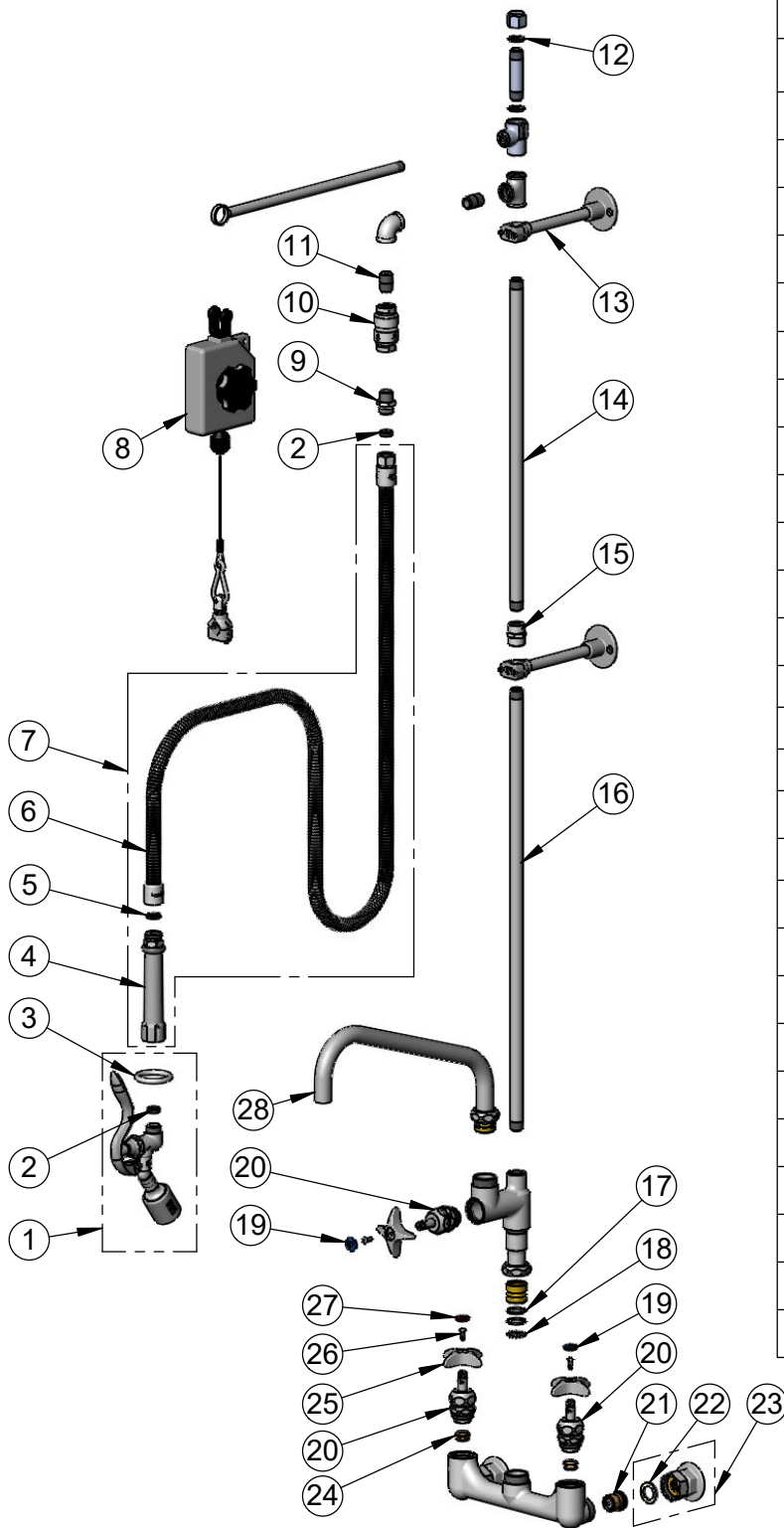
2 Saddleback Cove / P.O. Box 1088  
Travelers Rest, SC 29690

Model No.

**BF-0140**

Item No.

Travelers Rest, SC: 800-476-4103 • Simi Valley, CA: 800-423-0150 • Fax: 864-834-3518 • www.tsbrass.com



ITEM NO.	SALES NO.	DESCRIPTION
1	B-0107-C35	0.65 GPM Low Flow Angled Spray Valve
2	010476-45	#27 Washer
3	000907-45	Spray Valve Hold Down Ring
4	002987-40	Handle Grip, Gray
5	001014-45	Washer, B-0100 Hose Barrel
6	B-0068-H2A	68" Stainless Steel Flex Hose, Less Handle
7	B-0068-H	68" Stainless Steel Flex Hose
8	005311-40	Balancer
9	053A	Adapter, 3/8" NPT Male
10	B-0970-FE	3/8" NPT Vacuum Breaker
11	002535-25	3/8" Close Nipple
12	001051-45	Washer
13	B-0109-01	6" Wall Bracket
14	000369-40	3/8" NPT x 18" Riser
15	001769-40	Coupling, 3/8" NPT
16	000372-40	3/8" NPT x 24" Riser
17	001068-45	O-ring
18	016807-45	Serrated Lock Washer
19	018506-19NS	Blue Button Index, Press-in
20	006482-40NS	Big-Flo Cartridge, RTC
21	016902-20	Big-Flo Check Valve
22	001019-45	Coupling Nut Washer
23	00BB	3/4" NPT Female Inlet Flange
24	000764-20	Seat, Big-Flo
25	002521-45NS	4-Arm Handle (New Style)
26	000925-45	Lab Handle Screw
27	001193-19NS	Red Button Index, Press-in
28	114X	Big-Flo 12" Swing Nozzle

**Product Specifications:**

Pre-Rinse Unit: 8" Wall Mount Big-Flo Mixing Faucet w/ Internal Check Valves, 4-Arm Handles, 6" Wall Supports, Vacuum Breaker, 68" Flexible Stainless Steel Hose, 0.65 GPM Angled Low Flow Spray Valve, Add-On Faucet, 12" Swing Nozzle w/ Plain End Outlet & 3/4" NPT Female Inlets

**Product Compliance:**

ASME A112.18.1 / CSA B125.1  
NSF 61 - Section 9  
NSF 372 (Low Lead Content)  
CSA B64.8 (VB)  
2019 DOE PRSV - Class I