



T&S BRASS AND BRONZE WORKS, INC.

2 Saddleback Cove / P.O. Box 1088
Travelers Rest, SC 29690

Model No.

B-0662

Item No.

Travelers Rest, SC: 800-476-4103 • Simi Valley, CA: 800-423-0150 • Fax: 864-834-3518 • www.tsbrass.com

This Space for Architect/Engineer Approval

Job Name _____ Date _____

Model Specified _____ Quantity _____

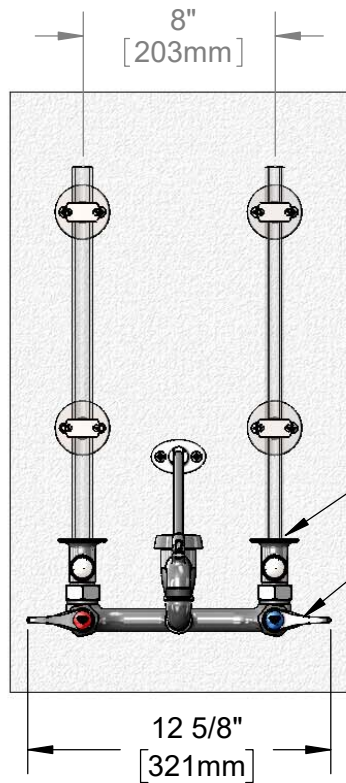
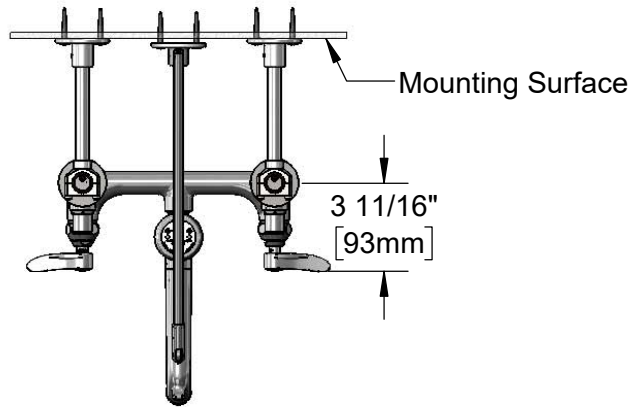
Customer/Wholesaler _____

Contractor _____

Architect/Engineer _____



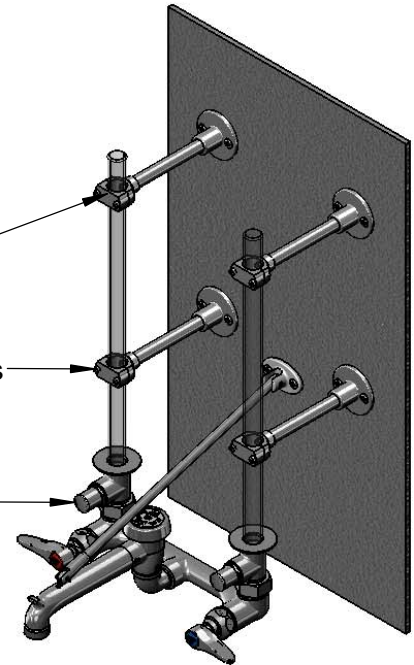
ADA Compliant



1/2" NPT CW-HW
Supply Pipes
(Supplied by Others)

(4) B-0110 Pipe Supports

Built-In Service Stop



6" [152mm]
Adjustable

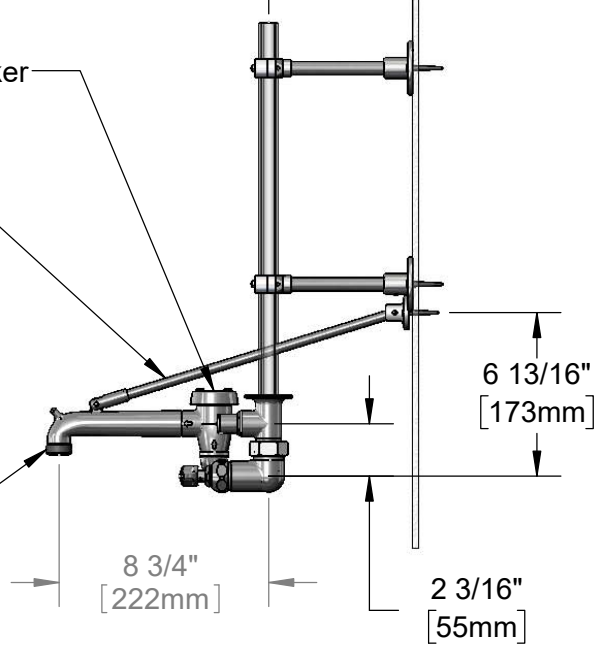
B-0969
1/2" NPT Vacuum Breaker

Support Rod w/
Wall Bracket &
Mounting Screws

1/2" NPT
Female Inlet

Quarter-Turn
Eterna Cartridges w/
Spring Checks &
Lever Handles w/
Color Coded Indexes

Garden Hose
Male Outlet



Product Specifications:

8" Service Sink Faucet, Quarter-Turn Eterna Cartridges w/ Spring Checks, Lever Handles, Upper Support Rod, Garden Hose Male Outlet, Polished Chrome Finish, Vacuum Breaker, Wall Braces & 1/2" NPT Female Inlets w/ Integral Stops (Designed for Exposed Ceiling Supply Lines)

Product Compliance:

ASME A112.18.1 / CSA B125.1
NSF 61 - Section 9
NSF 372 (Low Lead Content)
ANSI A117.1 (ADA)
ASSE 1001 (VB)

Drawn: MRC

Checked: JRM

Approved: JHB

Date: 11/02/18

Scale: 1:8

Sheet: 1 of 2



T&S BRASS AND BRONZE WORKS, INC.

2 Saddleback Cove / P.O. Box 1088
Travelers Rest, SC 29690

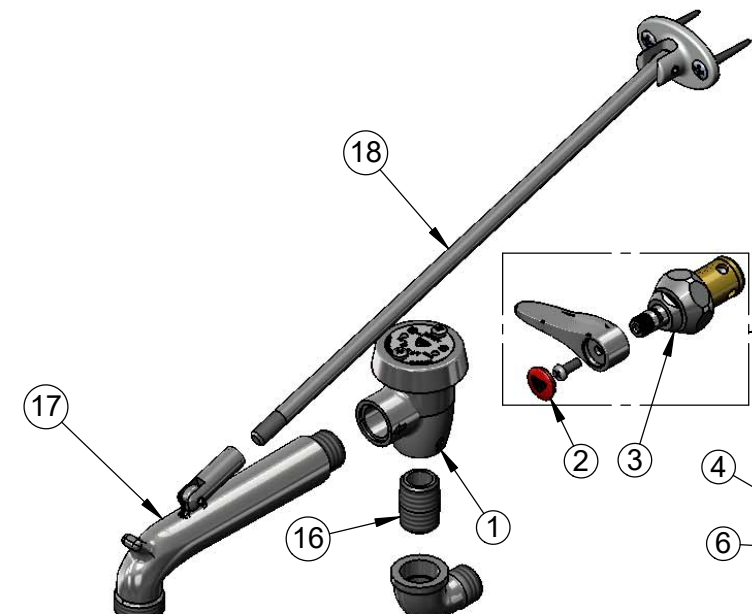
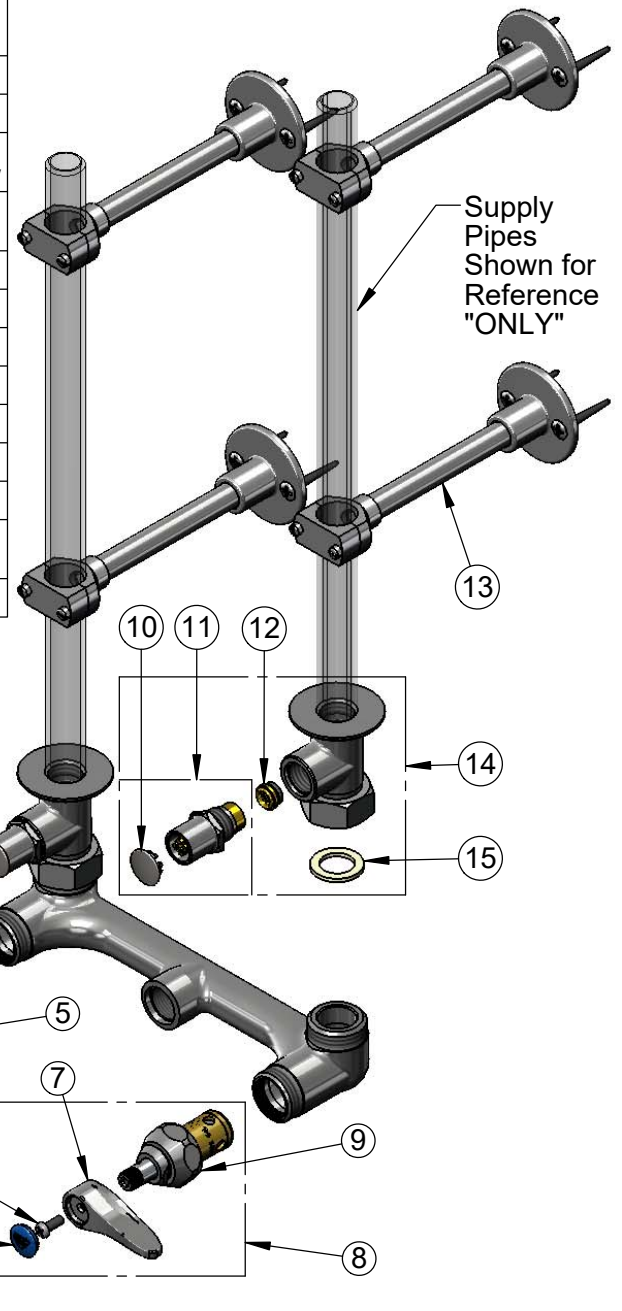
Model No.

B-0662

Item No.

Travelers Rest, SC: 800-476-4103 • Simi Valley, CA: 800-423-0150 • Fax: 864-834-3518 • www.tsbrass.com

ITEM NO.	SALES NO.	DESCRIPTION
1	B-0969	1/2" NPT Vacuum Breaker
2	001193-19NS	Red Button Index, Press-in
3	012443-40NS	Quarter-Turn Eterna Cartridge w/ Spring Check, RTC
4	000925-45	Lab Handle Screw
5	019638-40	Quarter-Turn Eterna Cartridge LTC w/ Spring Check, Handle, Red Index & Screw
6	018506-19NS	Blue Button Index, Press-in
7	001638-45NS	Lever Handle (New Style)
8	019639-40	Quarter-Turn Eterna Cartridge RTC w/ Spring Check, Handle, Blue Index & Screw
9	012442-40NS	Quarter-Turn Eterna Cartridge w/ Spring Check, LTC
10	001605-45	Cap
11	002892-40	Service Stop Spindle w/ Cap
12	000763-20	Seat
13	B-0110	6" Wall Bracket
14	00JJ	1/2" NPT Female Inlet w/ Loose Key Stop
15	001019-45	Coupling Nut Washer
16	002534-25	Close Nipple, 1/2" NPT
17	009545-40	Spout w/ Male GH Outlet & Upper Clevis - Polished Chrome
18	009546-40	Upper Support Rod



Product Specifications:

8" Service Sink Faucet, Quarter-Turn Eterna Cartridges w/ Spring Checks, Lever Handles, Upper Support Rod, Garden Hose Male Outlet, Polished Chrome Finish, Vacuum Breaker, Wall Braces & 1/2" NPT Female Inlets w/ Integral Stops (Designed for Exposed Ceiling Supply Lines)

Product Compliance:

ASME A112.18.1 / CSA B125.1
NSF 61 - Section 9
NSF 372 (Low Lead Content)
ANSI A117.1 (ADA)
ASSE 1001 (VB)