



T&S BRASS AND BRONZE WORKS, INC.
 2 Saddleback Cove / P.O. Box 1088
 Travelers Rest, SC 29690

Model No.

S-2785-S133X

Item No.

Travelers Rest, SC: 800-476-4103 • Simi Valley, CA: 800-423-0150 • Fax: 864-834-3518 • www.tsbrass.com

This Space for Architect/Engineer Approval

Job Name _____ Date _____

Model Specified _____ Quantity _____

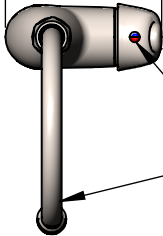
Customer/Wholesaler _____

Contractor _____

Architect/Engineer _____

4 7/8"
[124mm]

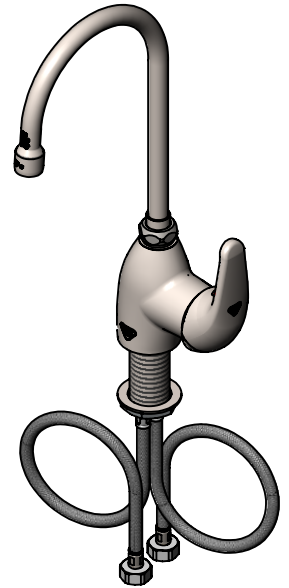
EVERSTEEL



Hot/Cold Index

S133X

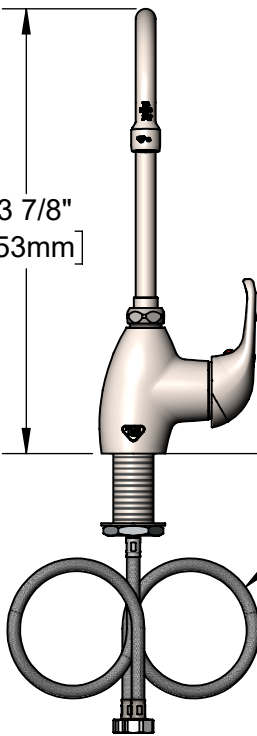
Stainless Steel 5 3/4" Gooseneck
w/ Stream Regulator Outlet.
Converts to Rigid w/ 014200-45
Lock Washer (Included).



13 7/8"
[353mm]

Single Lever w/
Ceramic Cartridge

Mounting
Surface



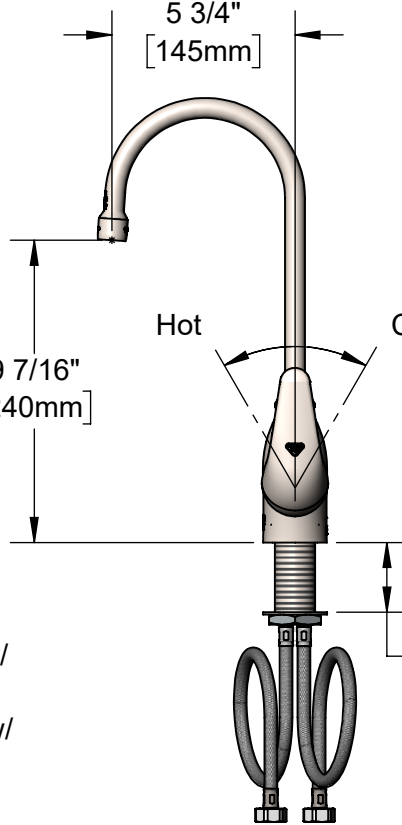
18" Flexible Stainless
Steel Supply Hoses w/
G1/2 Female Swivel
Fittings (Compatible w/
1/2" NPSM Threads)

5 3/4"
[145mm]

9 7/16"
[240mm]

Hot

Cold



2 3/16"
[55mm]
Maximum
Thickness

Rough-in Requirement:

Ø 1 1/2" [38mm] Mounting Hole

Product Specifications:

Single Hole Deck Mount Single Lever Faucet, Ceramic Cartridge, Temperature Limit Stop, Stainless Steel 5 3/4" Swivel/Rigid Gooseneck, & Flexible Stainless Steel Supply Hoses

Product Compliance:

ASME A112.18.1 / CSA B125.1
NSF 61 - Section 9
NSF 372 (Low Lead Content)
ANSI A117.1 (ADA)



T&S BRASS AND BRONZE WORKS, INC.

2 Saddleback Cove / P.O. Box 1088
Travelers Rest, SC 29690

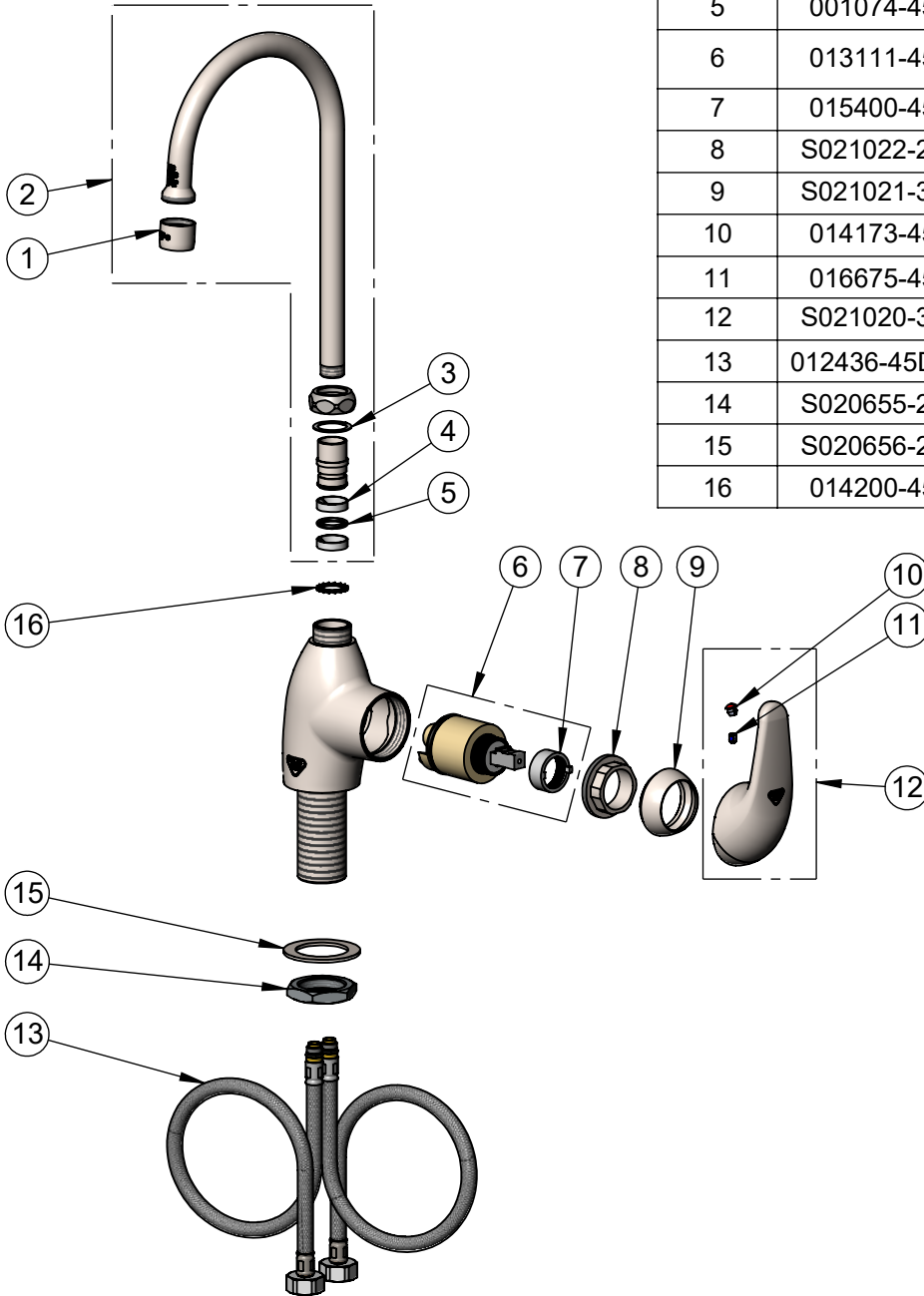
Model No.

S-2785-S133X

Item No.

Travelers Rest, SC: 800-476-4103 • Simi Valley, CA: 800-423-0150 • Fax: 864-834-3518 • www.tsbrass.com

ITEM NO.	SALES NO.	DESCRIPTION
1	S-PT	Stainless Steel Full Flow Stream Regulator, 55/64-27
2	S133X	Stainless Steel 5 3/4" Swivel Gooseneck
3	009538-45	Swivel Washer
4	021087-45	Swivel Sleeves (2)
5	001074-45	O-Ring
6	013111-45	Ceramic Cartridge w/ Temperature Limit Stop
7	015400-45	Temperature Limit Stop
8	S021022-20	Locking Nut, Stainless Steel
9	S021021-30	Trim Ring, Stainless Steel
10	014173-45	Index, Temperature
11	016675-45	Set Screw
12	S021020-30	Single Lever Handle, Stainless Steel
13	012436-45DR	Flexible Connector Hose
14	S020655-20	Lock Nut
15	S020656-20	Washer, Stainless Steel
16	014200-45	Star Washer, Anti-Rotation



Product Specifications:

Single Hole Deck Mount Single Lever Faucet, Ceramic Cartridge, Temperature Limit Stop, Stainless Steel 5 3/4" Swivel/Rigid Gooseneck, & Flexible Stainless Steel Supply Hoses

Product Compliance:

ASME A112.18.1 / CSA B125.1
NSF 61 - Section 9
NSF 372 (Low Lead Content)
ANSI A117.1 (ADA)