



T&S BRASS AND BRONZE WORKS, INC.

2 Saddleback Cove / P.O. Box 1088
Travelers Rest, SC 29690

Model No.

B-2866-05CR

Item No.

Travelers Rest, SC: 800-476-4103 • Simi Valley, CA: 800-423-0150 • Fax: 864-834-3518 • www.tsbrass.com

This Space for Architect/Engineer Approval

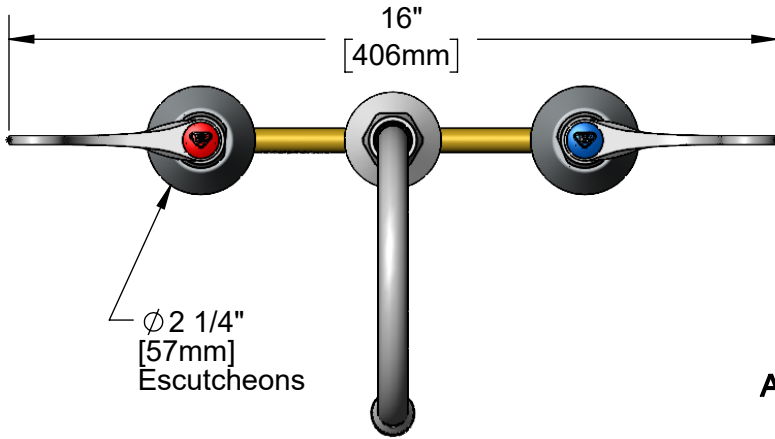
Job Name _____ Date _____

Model Specified _____ Quantity _____

Customer/Wholesaler _____

Contractor _____

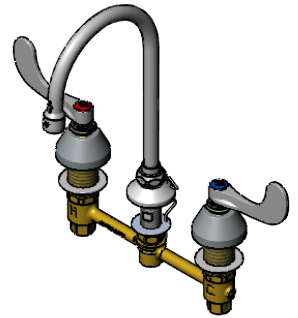
Architect/Engineer _____



Ø 2 1/4"
[57mm]
Escutcheons



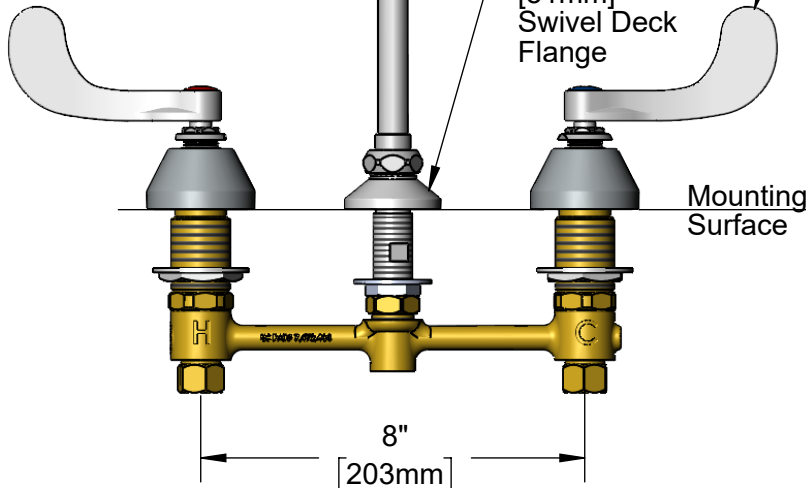
ADA Compliant



133X-A22
Swivel Gooseneck w/
2.2 GPM Aerator. Rigid
Conversion Requires
014200-45 Lock Washer
(Included)

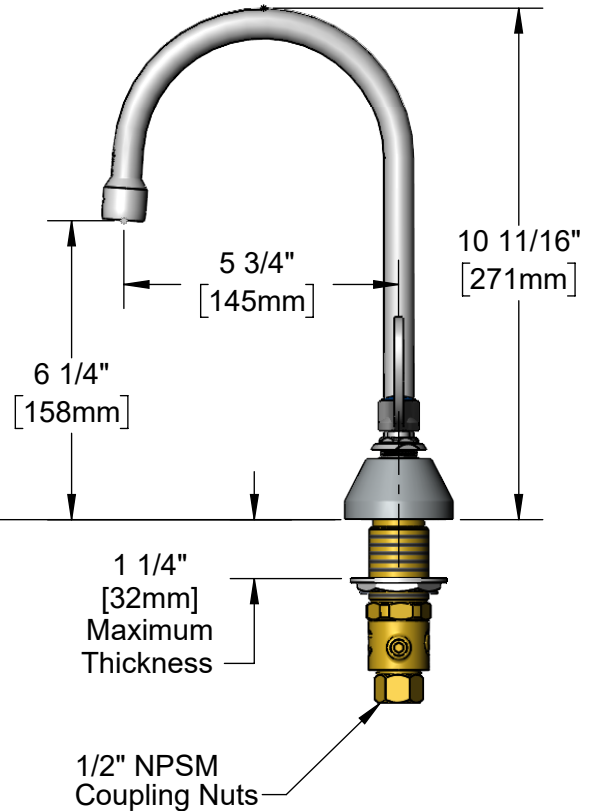
Quarter-Turn
Cerama Cartridges w/
Check Valves &
4" Wrist Action Handles
w/ Color Coded Indexes

Ø 2"
[51mm]
Swivel Deck
Flange



Mounting
Surface

8"
[203mm]



6 1/4"
[158mm]

5 3/4"
[145mm]

10 11/16"
[271mm]

1 1/4"
[32mm]
Maximum
Thickness

1/2" NPSM
Coupling Nuts

Rough-In Requirement:
Ø 1" [25mm] for Center Shank
Ø 1 1/2" [38mm] for Hot/Cold Side

Product Specifications:

EasyInstall 8" Concealed Widespread Mixing Faucet, Quarter-Turn Cerama Cartridges w/ Check Valves, 4" Wrist Action Handles, 5 3/4" Swivel/Rigid Gooseneck w/ 2.2 GPM Aerator & 1/2" NPT Male Inlet w/ Coupling Nuts

Product Compliance:

ASME A112.18.1 / CSA B125.1
NSF 61 - Section 9
NSF 372 (Low Lead Content)
ANSI A117.1 (ADA)



T&S BRASS AND BRONZE WORKS, INC.

2 Saddleback Cove / P.O. Box 1088
Travelers Rest, SC 29690

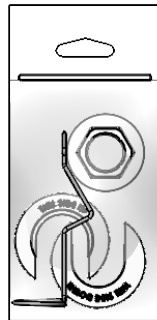
Model No.

B-2866-05CR

Item No.

Travelers Rest, SC: 800-476-4103 • Simi Valley, CA: 800-423-0150 • Fax: 864-834-3518 • www.tsbrass.com

ITEM NO.	SALES NO.	DESCRIPTION
1	B-0199-01	2.2 GPM Aerator, 55/64-27 UN Female
2	133X-A22	5 3/4" Swivel Gooseneck w/ 2.2 GPM Aerator
3	014200-45	Star Washer, Anti-Rotation
4	016754-40NS	EasyInstall CWS Swivel Center (New Style)
5	016742-45	Center Flange Nut
6	016745-45	Compression Nut & Fitting
7	018506-19NS	Blue Button Index, Press-in
8	000925-45	Lab Handle Screw
9	B-WH4C-NS	Wrist Action Handle, Blue Index & Screw
10	B-WH4-NS	Wrist Action Handle - New Style
11	001257-40NS	Bell Escutcheon
12	016768-25NS	EasyInstall, CWS Quarter-Turn Cerama Cartridge w/ Check Valve, LTC
13	016749-45	Sidebody C-Washer
14	016777-45	CWS Hanger
15	000958-20	Coupling Nut
16	016767-25NS	EasyInstall, CWS Quarter-Turn Cerama Cartridge w/ Check Valve, RTC
17	016743-20	Eterna Bonnet - EXTENDED
18	009002-40NS	Packing Assembly (New Style)
19	B-WH4H-NS	Wrist Action Handle, Red Index & Screw
20	001193-19NS	Red Button Index, Press-in



017245-40
Installation Repair Kit
Includes #5, (2)#13, & #14

Product Specifications:

EasyInstall 8" Concealed Widespread Mixing Faucet, Quarter-Turn Cerama Cartridges w/ Check Valves, 4" Wrist Action Handles, 5 3/4" Swivel/Rigid Gooseneck w/ 2.2 GPM Aerator & 1/2" NPT Male Inlet w/ Coupling Nuts

Product Compliance:

ASME A112.18.1 / CSA B125.1
NSF 61 - Section 9
NSF 372 (Low Lead Content)
ANSI A117.1 (ADA)