



T&S BRASS AND BRONZE WORKS, INC.

2 Saddleback Cove / P.O. Box 1088
Travelers Rest, SC 29690

Model No.

SL-5710-08CRWH4

Item No.

Travelers Rest, SC: 800-476-4103 • Simi Valley, CA: 800-423-0150 • Fax: 864-834-3518 • www.tsbrass.com

This Space for Architect/Engineer Approval

Job Name _____ Date _____

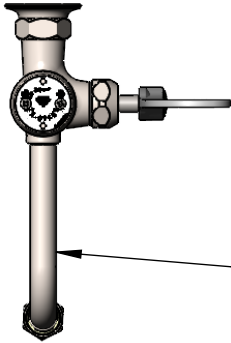
Model Specified _____ Quantity _____

Customer/Wholesaler _____

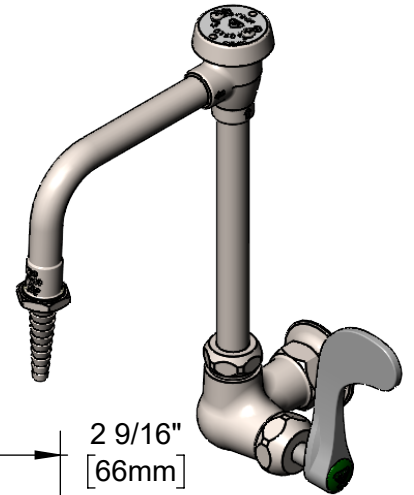
Contractor _____

Architect/Engineer _____

EVERSTEEL



Swivel Vacuum Breaker Nozzle w/
Serrated Tip Outlet & 0.5 GPM Flow
Control. Converts to Rigid w/ 014200-45
Lock Washer (Included).



S-0968
3/8" NPT
Vacuum Breaker

5 11/16"
[144mm]

2 9/16"
[66mm]

10"
[254mm]

3 3/4"
[95mm]

1/2" NPT Female Inlet

Mounting Surface

4 7/8"
[124mm]

Stainless Steel
Quarter-Turn Cerama
Cartridge w/ Check
Valves & Stainless
Steel 4-Arm Handle
w/ Color Coded Index

Product Specifications:

Single Hole Stainless Steel Single Temperature Wall Mount Faucet,
Quarter-Turn Cerama Cartridge w/ Check Valve, 4" Wrist Action Handle,
Swivel Vacuum Breaker Nozzle, Serrated Tip w/ 0.5 GPM Flow Control & 1/2"
NPT Female Inlet

Product Compliance:

ASME A112.18.1 / CSA B125.1
NSF 61 - Section 9
NSF 372 (Low Lead Content)
ANSI A117.1 (ADA)



T&S BRASS AND BRONZE WORKS, INC.

2 Saddleback Cove / P.O. Box 1088
Travelers Rest, SC 29690

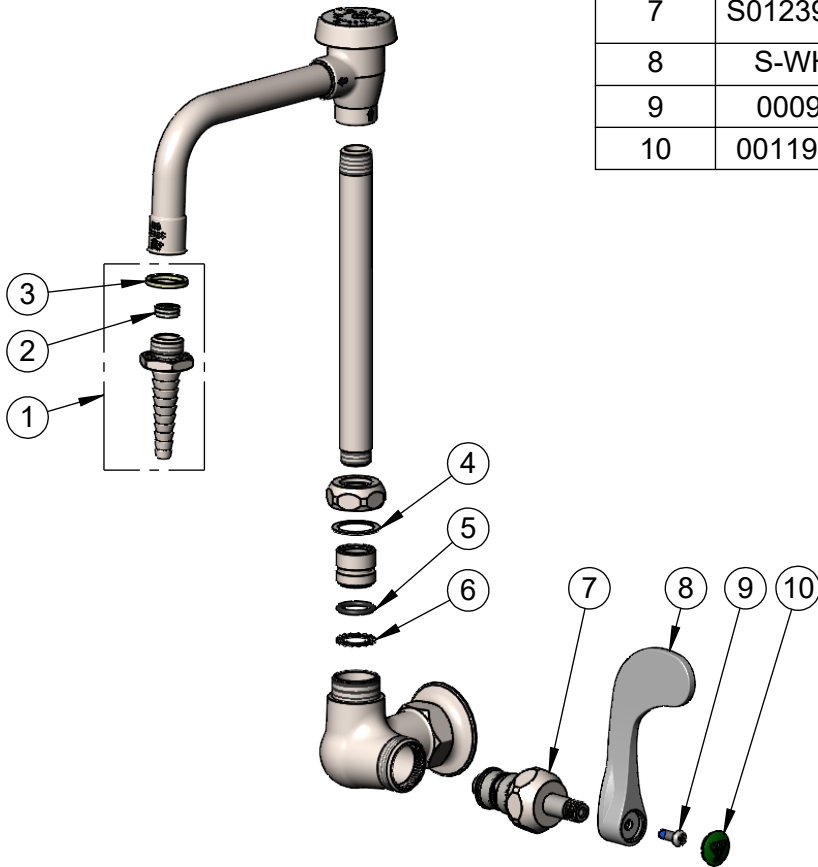
Model No.

SL-5710-08CRWH4

Item No.

Travelers Rest, SC: 800-476-4103 • Simi Valley, CA: 800-423-0150 • Fax: 864-834-3518 • www.tsbrass.com

ITEM NO.	SALES NO.	DESCRIPTION
1	S-0198-FD05	Stainless Steel Serrated Tip w/ 0.5 GPM Flow Disc & Washer
2	FD05	Flow Disc, 0.5 GPM [1.9 L/min.] (Lime)
3	001051-45	Washer
4	009538-45	Swivel Washer
5	001065-45	O-Ring
6	014200-45	Star Washer, Anti-Rotation
7	S012394-30NS	Stainless Steel Quarter-Turn Cerama Cartridge w/ Check Valve, RTC
8	S-WH4-NS	Wrist Action Handle - New Style
9	000925-45	Lab Handle Screw
10	001191-45NS	Green "CW" Lab Button Index



Product Specifications:

Single Hole Stainless Steel Single Temperature Wall Mount Faucet, Quarter-Turn Cerama Cartridge w/ Check Valve, 4" Wrist Action Handle, Swivel Vacuum Breaker Nozzle, Serrated Tip w/ 0.5 GPM Flow Control & 1/2" NPT Female Inlet

Product Compliance:

ASME A112.18.1 / CSA B125.1
NSF 61 - Section 9
NSF 372 (Low Lead Content)
ANSI A117.1 (ADA)