



T&S BRASS AND BRONZE WORKS, INC.
 2 Saddleback Cove / P.O. Box 1088
 Travelers Rest, SC 29690

Model No.
EU-6DP00

Item No.

Travelers Rest, SC: 800-476-4103 • Simi Valley, CA: 800-423-0150 • Fax: 864-834-3518 • www.tsbrass.com

This Space for Architect/Engineer Approval

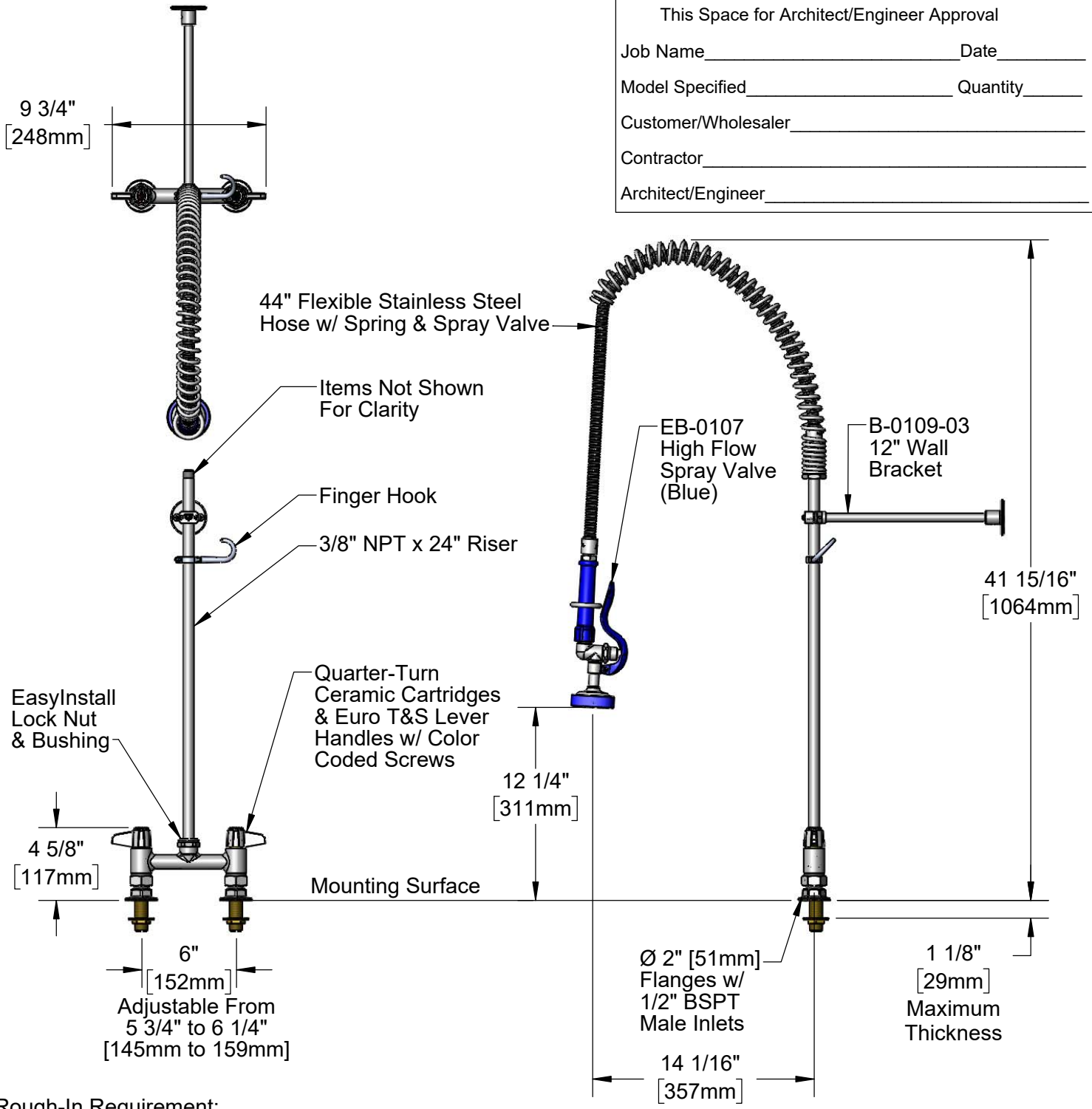
Job Name _____ Date _____

Model Specified _____ Quantity _____

Customer/Wholesaler _____

Contractor _____

Architect/Engineer _____



Rough-In Requirement:
 (2) Ø 1" [25mm] Mounting Holes

Product Specifications:
 International Pre-Rinse Unit: 6" Deck Mount Mixing Faucet, Quarter-Turn Ceramic Cartridges, Euro Lever Handles, 44" Flexible Stainless Steel Hose, High Flow Spray Valve (Blue), 12" Wall Bracket, Integral Check Valves & 1/2" BSPT Male Inlets

Product Compliance:
 ASME A112.18.1 / CSA B125.1
 NSF 61 - Section 9
 NSF 372 (Low Lead Content)
 2019 DOE PRSV Non-Compliant



T&S BRASS AND BRONZE WORKS, INC.

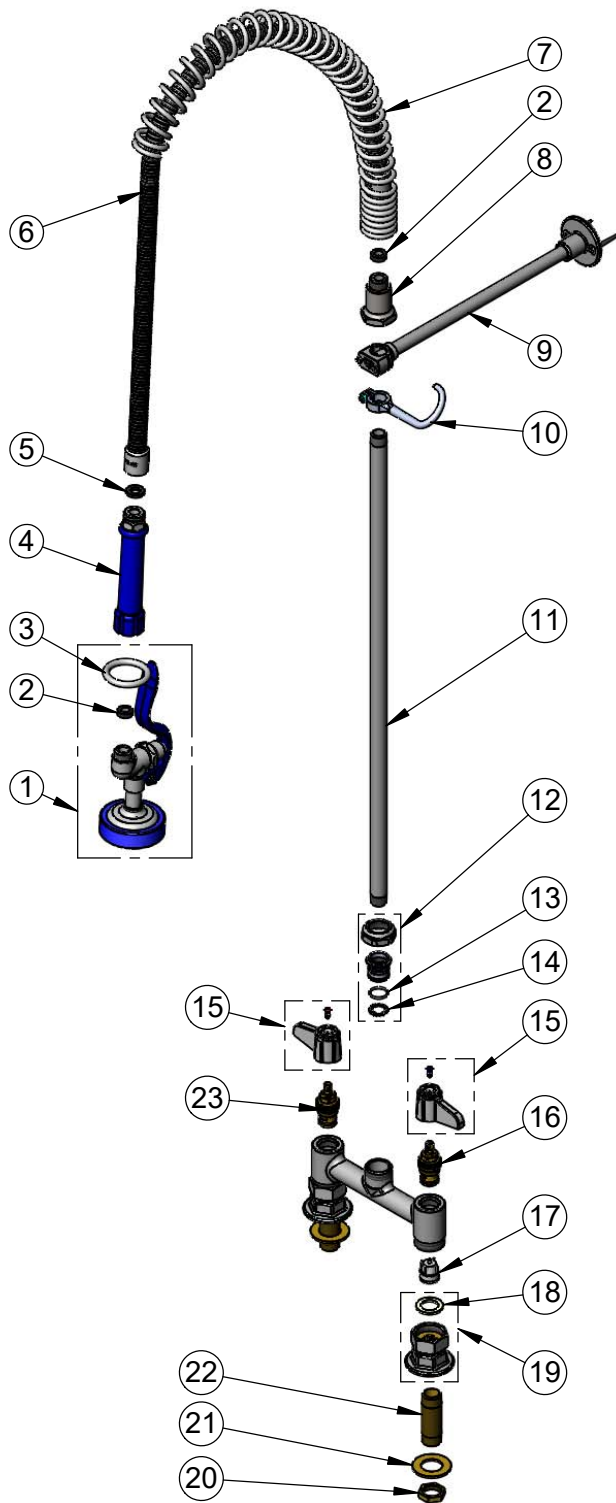
2 Saddleback Cove / P.O. Box 1088
Travelers Rest, SC 29690

Model No.

EU-6DP00

Item No.

Travelers Rest, SC: 800-476-4103 • Simi Valley, CA: 800-423-0150 • Fax: 864-834-3518 • www.tsbrass.com



ITEM NO.	SALES NO.	DESCRIPTION
1	EB-0107	High Flow Spray Valve (Blue)
2	010476-45	#27 Washer
3	000907-45	Spray Valve Hold Down Ring
4	011482-40	Grip Handle (Blue)
5	001014-45	Washer, B-0100 Hose Barrel
6	B-0044-H2A	44" Flexible Stainless Steel Hose, Less Handle
7	000888-45	EasyInstall Overhead Spring
8	000821-40	Spring Body
9	B-0109-03	12" Wall Bracket
10	004R	Finger Hook
11	000372-40	3/8" NPT x 24" Riser
12	EU-EZ-K	Euro EasyInstall Kit
13	001062-45	O-Ring
14	014200-45	Star Washer, Anti-Rotation
15	E-HDL-L	Euro Lever Handle w/ (2) Color Coded Screws
16	013788-45	Quarter-Turn Ceramic Cartridge, LTC
17	013840-45	20mm Check Valve (2)
18	001019-45	Coupling Nut Washer
19	006848-40	1/2" BSPT Female Eccentric Flange
20	002954-45	Shank Lock Nut
21	000999-45	Brass Lock Washer
22	002814-45	Shank
23	013787-45	Quarter-Turn Ceramic Cartridge, RTC

Product Specifications:

International Pre-Rinse Unit: 6" Deck Mount Mixing Faucet, Quarter-Turn Ceramic Cartridges, Euro Lever Handles, 44" Flexible Stainless Steel Hose, High Flow Spray Valve (Blue), 12" Wall Bracket, Integral Check Valves & 1/2" BSPT Male Inlets

Product Compliance:

ASME A112.18.1 / CSA B125.1
NSF 61 - Section 9
NSF 372 (Low Lead Content)
2019 DOE PRSV Non-Compliant