



# Loose Key Stops

## B-1351

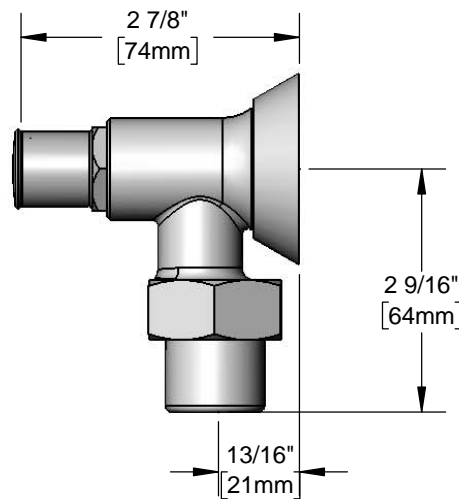
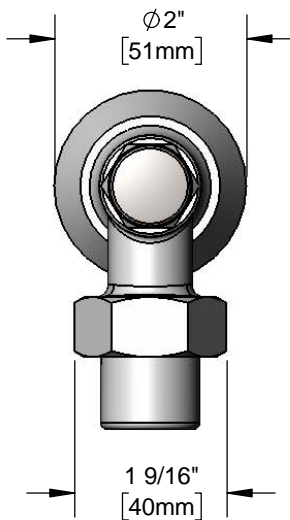
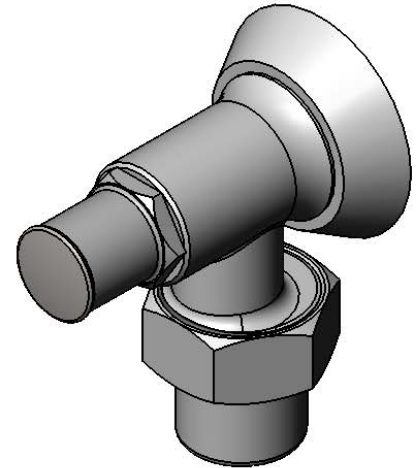
TAG:

### Angle Loose Key Stop

#### Architect/Engineering Specifications:

Loose key angle stop with chrome plated brass body, loose key style shut-off valve with tee handle, 1/2" NPT female inlet and 3/8" NPT female union coupling outlet. Certified to ASME A112.18.1/CSA B125.1, NSF 61-Section 9 and NSF 372.

|                                      |
|--------------------------------------|
| Job Name _____                       |
| Model Specified _____ Quantity _____ |
| Variations Specified _____           |
| Date _____                           |



#### Features & Benefits:

- Loose key angle stop with polished chrome plated body
- Loose key style shut-off valve with tee handle
- 1/2" NPT female inlet
- 3/8" NPT female union coupling outlet
- $\phi 2''$  adjustable flange
- Includes loose key tee handle and screw
- Material: Polished chrome plated brass

#### Product Compliance:

- ASME A112.18.1 / CSA B125.1
- NSF 61 - Section 9
- NSF 372 (Low Lead Content)



**Warranty:** One Year (Limited)

#### Performance Data:

- Pressure: 20 - 125 psi
- Temperature: 40 °F - 140 °F
- Flow Rate: 4.84 GPM @ 60 psi



T&S BRASS AND BRONZE WORKS, INC.



• 2 Saddleback Cove • Travelers Rest, SC 29690  
 Ph 800-476-4103 • Fax 864-834-3518  
 • Simi Valley, CA • Ph 800-423-0150 • www.tsbrass.com

Date: 08/08/17