



# Single Lever Faucets

## S-2785-LN

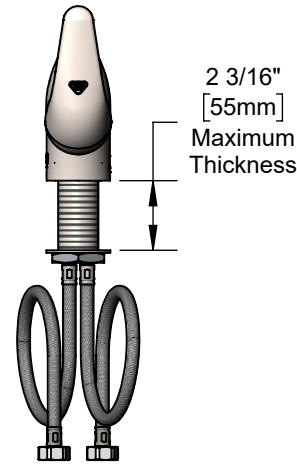
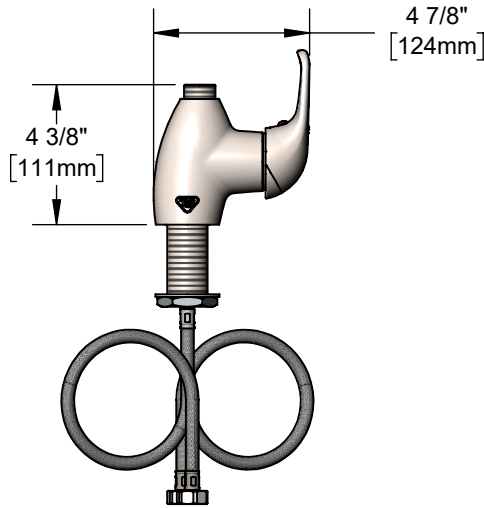
TAG:

*Pantry Faucet*

### Architect/Engineering Specifications:

Single hole deck mount single lever faucet with swivel outlet (less nozzle), ceramic cartridge, 18" flexible stainless steel supply hoses with G1/2 female swivel connections. Certified to ASME A112.18.1/CSA B125.1, NSF 61-Section 9 and NSF 372. Meets ADA ANSI/ICC A117.1 requirements.

Job Name \_\_\_\_\_  
 Model Specified \_\_\_\_\_ Quantity \_\_\_\_\_  
 Variations Specified \_\_\_\_\_  
 Date \_\_\_\_\_



### Features & Benefits:

- Single hole deck mount single lever faucet w/ brushed stainless steel body
- Swivel outlet accepts stainless steel T&S swing nozzles
- Lock washer provided for rigid application
- Ceramic cartridge
- 18" flexible stainless steel supply hoses w/ G1/2 female swivel connections (compatible w/ 1/2" NPSM threads)
- Material: Brushed stainless steel body and handle, ceramic cartridge, and stainless steel supply hoses

### Product Compliance:

- ASME A112.18.1 / CSA B125.1
- NSF 61 - Section 9
- NSF 372 (Low Lead Content)
- ANSI A117.1 (ADA)



### Warranty: Lifetime (Limited)

- Ceramic Cartridge: Two Year (Limited)



**ADA Compliant**

### Performance Data:

- Pressure: 20 - 125 psi [1.38 - 8.62 bar]
  - Temperature: 40°F - 140°F [4.44°C - 60°C]
  - Flow Rate: 8.45 GPM [31.99 L/min] @ 60 psi [4.14 bar]
- (Outlet Device &/or Final Configuration May Reduce Flow Rate)

### Stainless Steel T&S Swing Nozzles

- S059X 6" Swing Nozzle
- S060X 8" Swing Nozzle
- S062X 12" Swing Nozzle
- S063X 14" Swing Nozzle
- S065X 18" Swing Nozzle

### Stainless Steel T&S Swivel Goosenecks (D x K)

- S133X 5 11/16" x 6 1/4" Swivel Gooseneck



**T&S BRASS AND BRONZE WORKS, INC.**



• 2 Saddleback Cove • Travelers Rest, SC 29690  
 Ph 800-476-4103 • Fax 864-834-3518  
 • Simi Valley, CA • Ph 800-423-0150 • www.tsbrass.com

Date: 06/04/24