



ADA Compliant

This Space for Architect/Engineer Approval

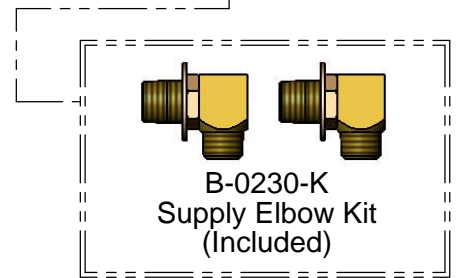
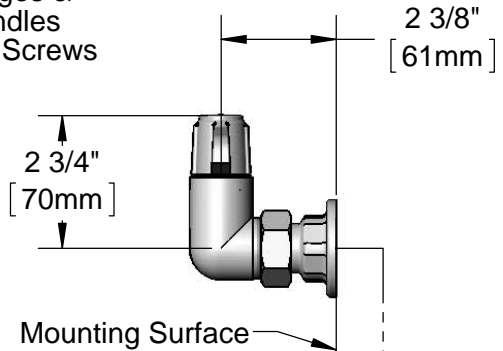
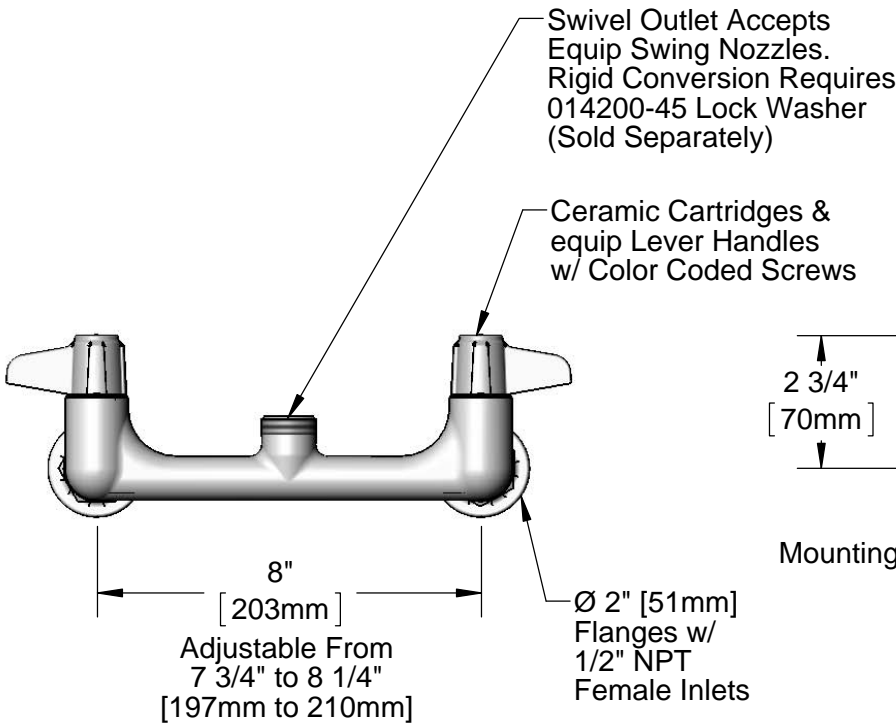
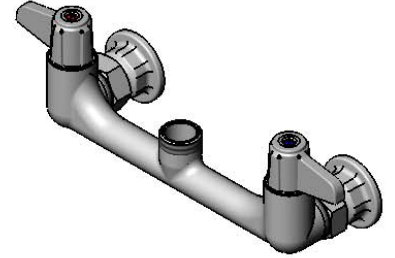
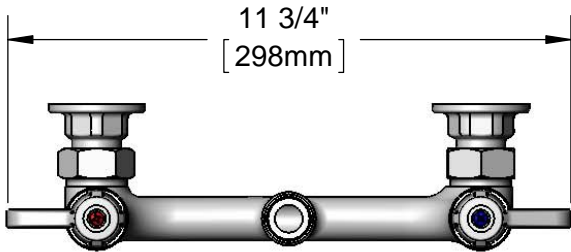
Job Name _____ Date _____

Model Specified _____ Quantity _____

Customer/Wholesaler _____

Contractor _____

Architect/Engineer _____



Rough-In Requirement:
(2) Ø 1" [25mm] Mounting Holes

Model Number
5F-8WLS00

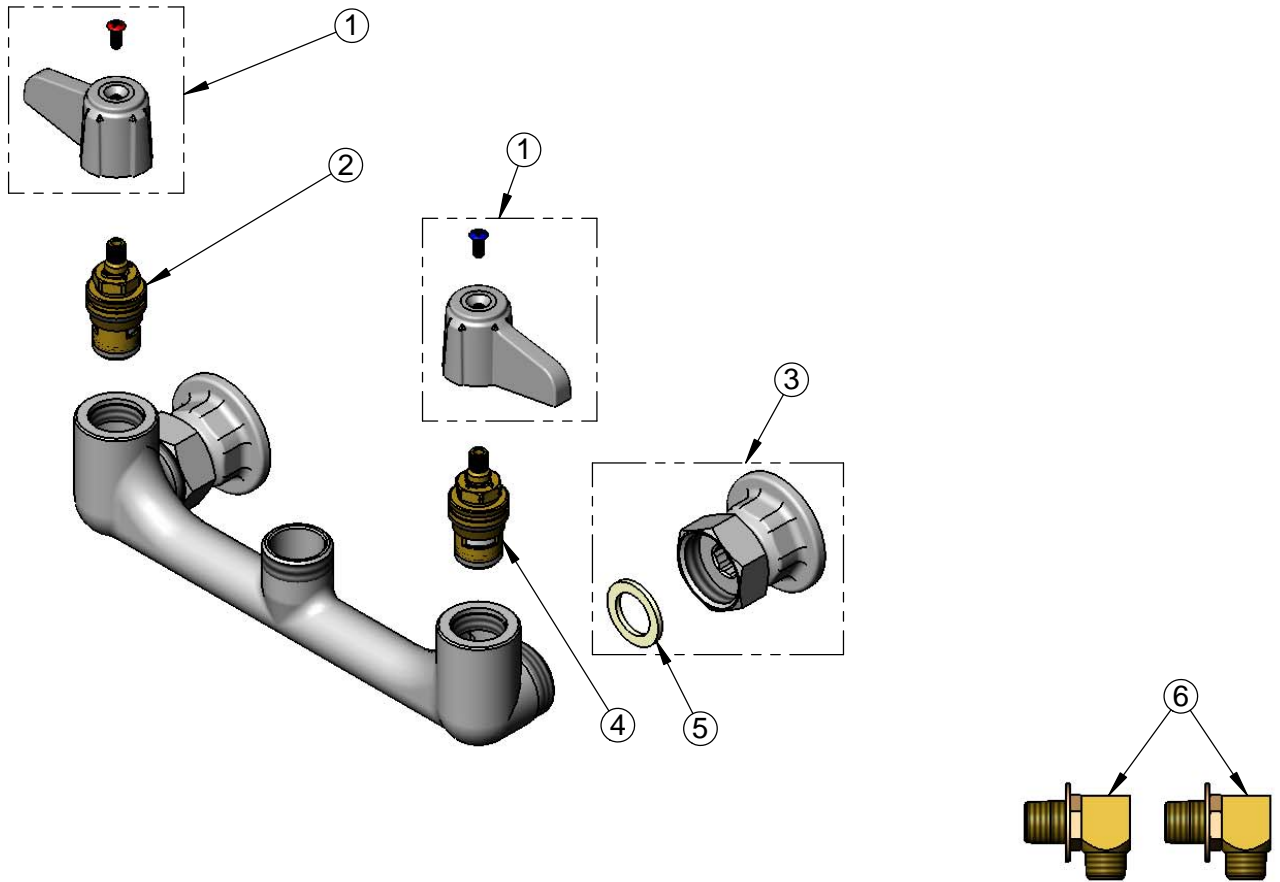
Product Specifications:
8" Wall Mount Mixing Faucet, Less Nozzle, Ceramic Cartridges, equip Lever Handles & 1/2" NPT Supply Elbow Kit

Product Compliance:
ASME A112.18.1 / CSA B125.1
NSF 61 - Section 9
NSF 372 (Low Lead Content)
ANSI A117.1 (ADA)

equip Foodservice Accessories

2 Saddleback Cove, P.O. Box 1088
Travelers Rest, South Carolina 29690
Phone: 800.891.4808 Fax: 800.868.0084
equip.tsbrass.com

ITEM NO.	SALES NO.	DESCRIPTION
1	5-HDL-L	equip Lever Handle w/ Color Coded Screws
2	013787-45	equip Ceramic Cartridge, RTC
3	00AA	1/2" NPT Female Eccentric Flange
4	013788-45	equip Ceramic Cartridge, LTC
5	001019-45	Coupling Nut Washer
6	B-0230-K	1/2" NPT Supply Elbow Kit



Model Number

5F-8WLS00

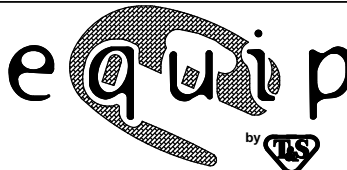
Product Specifications:

8" Wall Mount Mixing Faucet, Less Nozzle, Ceramic Cartridges, equip Lever Handles & 1/2" NPT Supply Elbow Kit

Product Compliance:

ASME A112.18.1 / CSA B125.1
 NSF 61 - Section 9
 NSF 372 (Low Lead Content)
 ANSI A117.1 (ADA)

equip
 Foodservice
 Accessories



2 Saddleback Cove, P.O. Box 1088
 Travelers Rest, South Carolina 29690
 Phone: 800.891.4808 Fax: 800.868.0084
 equip.tsbrass.com