



Architect/Engineering Specifications:

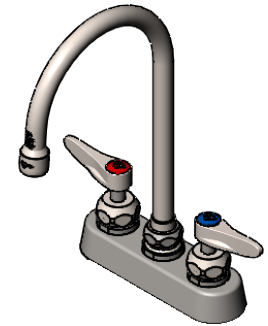
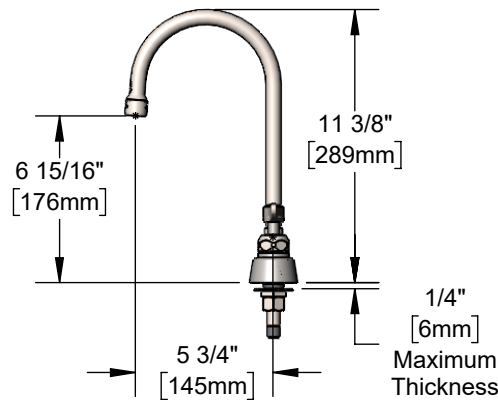
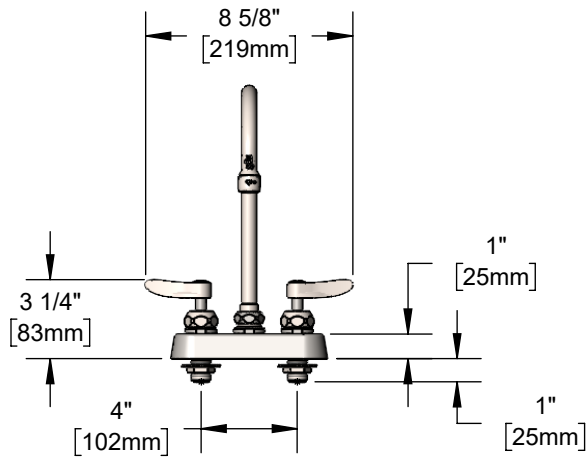
4" deck mount mixing faucet with stainless steel body, 5 3/4" stainless steel swivel gooseneck with 2.2 GPM stainless steel aerator, stainless steel ceramic cartridges with check valves, stainless steel lever handles, 1/2" NPT stainless steel male inlets and stainless steel escutcheon. Certified to ASME A112.18.1/CSA B125.1, NSF 61-Section 9 and NSF 372. Meets ADA ANSI/ICC A117.1 requirements.

Job Name _____

Model Specified _____ Quantity _____

Variations Specified _____

Date _____



Features & Benefits:

- 4" deck mount mixing faucet w/ stainless steel body
- 5 3/4" stainless steel swivel gooseneck
- 2.2 GPM stainless steel aerator, Series 1 (S-0199-01)
- Stainless steel quarter-turn Cerama cartridges with check valves to prevent cross flow of water
- Stainless steel lever handles w/ color coded indexes
- 1/2" NPT stainless steel male inlets
- Stainless steel tailpieces and nuts for 1/4" NPT stainless steel male connections
- Stainless steel escutcheon
- Material: Stainless steel body, tubular spout, handles & escutcheon

Product Compliance:

- ASME A112.18.1 / CSA B125.1
- NSF 61 - Section 9
- NSF 372 (Low Lead Content)
- ANSI A117.1 (ADA)

Warranty: Lifetime (Limited)

Performance Data:

- Pressure: 20 - 125 psi [1.38 - 8.62-bar]
- Temperature: 40°F - 140°F [4.44°C - 60°C]
- Flow Rate: 2.2 GPM [8.33 L/min] @ 60 psi [4.14 bar]



ADA Compliant

Optional SS Handles

- 4" Wrist Action
- Lever (Standard)

