



T&S BRASS AND BRONZE WORKS, INC.

2 Saddleback Cove / P.O. Box 1088
Travelers Rest, SC 29690

Model No.

B-0236-CR-EK

Item No.

Travelers Rest, SC: 800-476-4103 • Simi Valley, CA: 800-423-0150 • Fax: 864-834-3518 • www.tsbrass.com



ADA Compliant

This Space for Architect/Engineer Approval

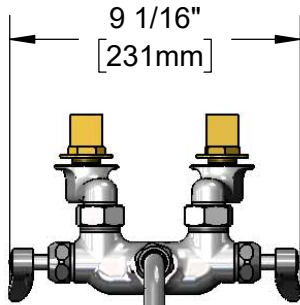
Job Name _____ Date _____

Model Specified _____ Quantity _____

Customer/Wholesaler _____

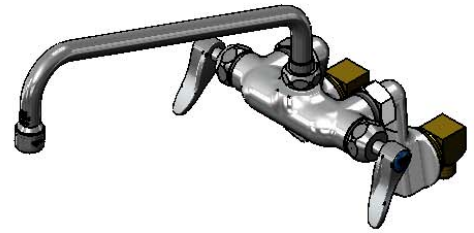
Contractor _____

Architect/Engineer _____

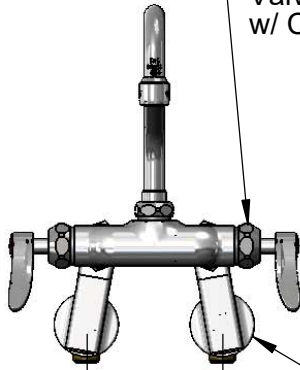


9 1/16"
[231mm]

062X
12" Swing Nozzle w/
Stream Regulator Outlet.
Converts to Rigid w/
014200-45 Lock Washer
(Included)

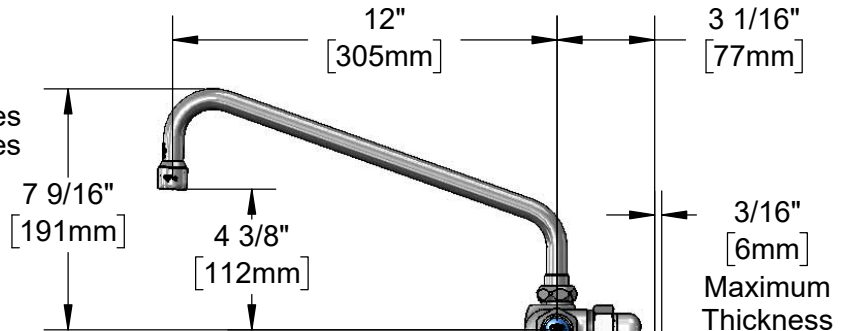


Quarter-Turn Cerama
Cartridges w/ Check
Valves & Lever Handles
w/ Color Coded Indexes



Ø 2" [51mm]
Wall Flanges

Adjusts from
2 1/4" to 8 1/4"
[57mm to 210mm]
Below or Above Centerline



Mounting Surface

B-0230-K
1/2" NPT Male
Elbow Installation Kit

Rough-In Requirement:

(2) Ø 1" [25mm] Mounting Holes

Product Specifications:

Wall Mount Mixing Faucet, Quarter-Turn Cerama Cartridges w/ Check Valves, Lever Handles, 12" Swing Nozzle w/ Stream Regulator Outlet, Adjustable Arm Flanges & 1/2" NPT Male Elbow Installation Kit

Product Compliance:

ASME A112.18.1 / CSA B125.1
NSF 61 - Section 9
NSF 372 (Low Lead Content)
ANSI A117.1 (ADA)



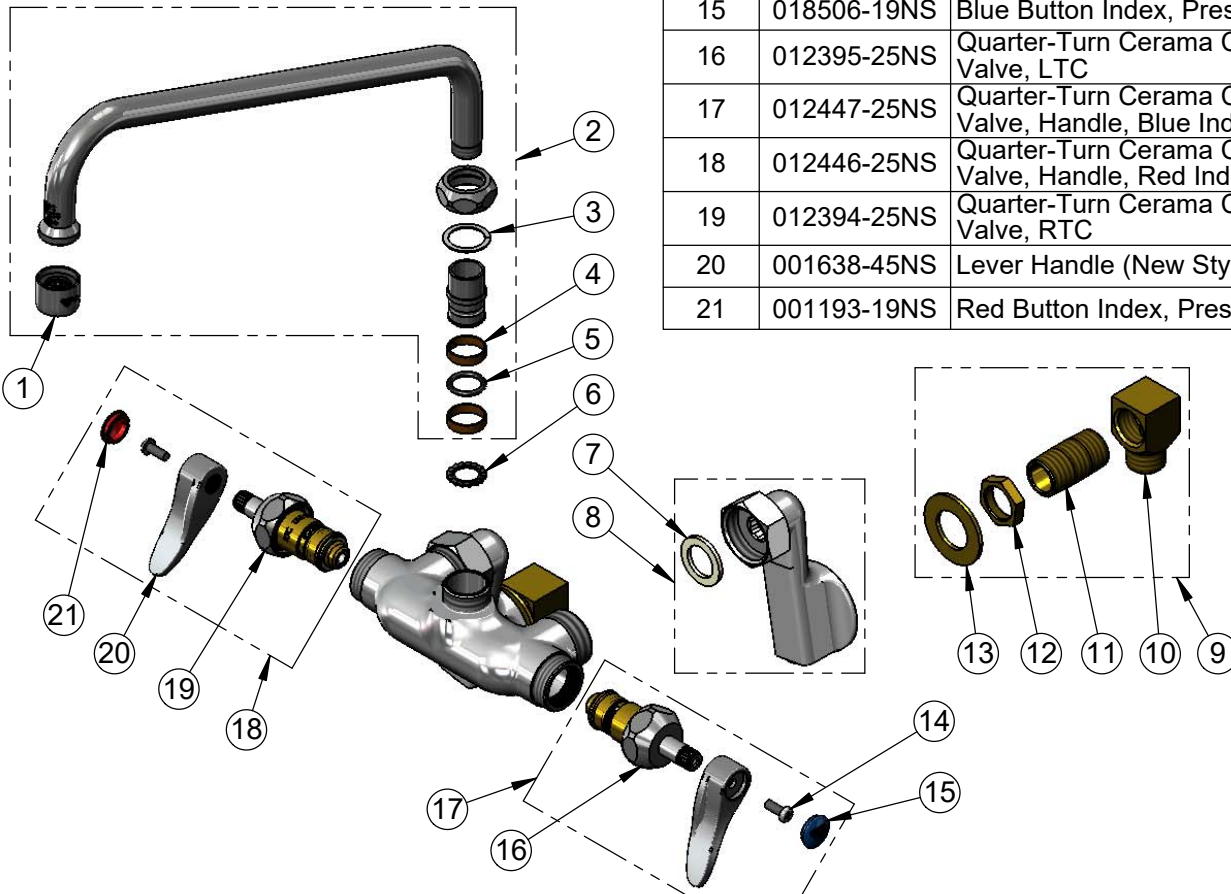
T&S BRASS AND BRONZE WORKS, INC.
 2 Saddleback Cove / P.O. Box 1088
 Travelers Rest, SC 29690

Model No.
B-0236-CR-EK

Item No.

Travelers Rest, SC: 800-476-4103 • Simi Valley, CA: 800-423-0150 • Fax: 864-834-3518 • www.tsbrass.com

ITEM NO.	SALES NO.	DESCRIPTION
1	B-PT	Full Flow Stream Regulator, 55/64-27
2	062X	12" Swing Nozzle
3	009538-45	Swivel Washer
4	011429-45	Swivel Sleeves (2)
5	001074-45	O-Ring
6	014200-45	Star Washer, Anti-Rotation
7	001019-45	Coupling Nut Washer
8	00GG	1/2" NPT Female Adjustable Arm Flange
9	B-0230-K	1/2" Short Elbow Installation Kit
10	B-1100-K	1/2" NPT Male Inlet Elbow
11	013357-20	1/2" NPT x 1-5/8" Lg. Close Nipple
12	002954-45	Shank Lock Nut
13	000999-45	Brass Lock Washer
14	000925-45	Lab Handle Screw
15	018506-19NS	Blue Button Index, Press-in
16	012395-25NS	Quarter-Turn Cerama Cartridge w/ Check Valve, LTC
17	012447-25NS	Quarter-Turn Cerama Cartridge w/ Check Valve, Handle, Blue Index & Screw, LTC
18	012446-25NS	Quarter-Turn Cerama Cartridge w/ Check Valve, Handle, Red Index & Screw, RTC
19	012394-25NS	Quarter-Turn Cerama Cartridge w/ Check Valve, RTC
20	001638-45NS	Lever Handle (New Style)
21	001193-19NS	Red Button Index, Press-in



Product Specifications:
 Wall Mount Mixing Faucet, Quarter-Turn Cerama Cartridges w/ Check Valves, Lever Handles, 12" Swing Nozzle w/ Stream Regulator Outlet, Adjustable Arm Flanges & 1/2" NPT Male Elbow Installation Kit

Product Compliance:
 ASME A112.18.1 / CSA B125.1
 NSF 61 - Section 9
 NSF 372 (Low Lead Content)
 ANSI A117.1 (ADA)