



T&S BRASS AND BRONZE WORKS, INC.

2 Saddleback Cove / P.O. Box 1088
Travelers Rest, SC 29690

Model No.

S-2780-A12-BJ

Item No.

Travelers Rest, SC: 800-476-4103 • Simi Valley, CA: 800-423-0150 • Fax: 864-834-3518 • www.tsbrass.com

This Space for Architect/Engineer Approval

Job Name _____ Date _____

Model Specified _____ Quantity _____

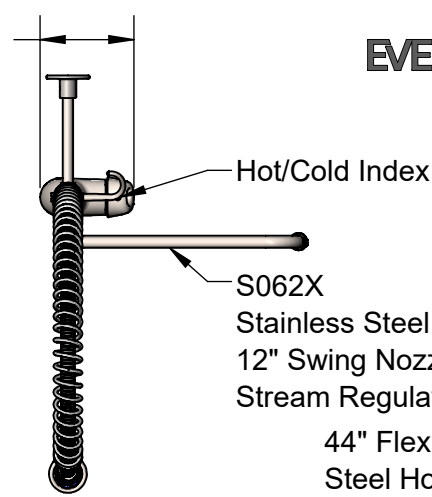
Customer/Wholesaler _____

Contractor _____

Architect/Engineer _____

EVERSTEEL

4 7/8"
[124mm]



44" Flexible Stainless
Steel Hose w/ Spring &
Spray Valve

S-0109-01
Stainless
Steel
6" Wall
Bracket

46 3/4"
[1188mm]

Items Not Shown
For Clarity

Stainless Steel
3/8" NPT x 24" Riser

Stainless Steel
Finger Hook

S-0107-J
Stainless Steel
1.07 GPM
Spray Valve

12"
[305mm]

EasyInstall
Lock Nut &
Bushing

2 3/16"
[55mm]
Maximum
Thickness

12 1/16"
[306mm]

15 3/16"
[385mm]

17 3/16"
[437mm]

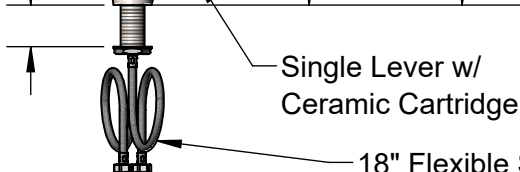
14 1/16"
[357mm]

Mounting Surface

2 5/16"
[59mm]

7 5/8"
[194mm]

Ø2"
[51mm]
Deck
Flange



Rough-in Requirement:
Ø 1 1/2" [38mm] Mounting Hole

Product Specifications:

Pre-Rinse Unit: EasyInstall Stainless Steel Single Hole Deck Mount Single Lever Faucet, Ceramic Cartridge, SS Add-On Faucet, SS 12" Swing Nozzle, 44" Flexible Stainless Steel Hose, Stainless Steel 1.07 GPM Spray Valve, Stainless Steel 6" Wall Bracket & Flexible Stainless Steel Supply Hoses

Product Compliance:

ASME A112.18.1 / CSA B125.1
NSF 61 - Section 9
NSF 372 (Low Lead Content)
2019 DOE PRSV - Class II



T&S BRASS AND BRONZE WORKS, INC.

2 Saddleback Cove / P.O. Box 1088
Travelers Rest, SC 29690

Model No.

S-2780-A12-BJ

Item No.

Travelers Rest, SC: 800-476-4103 • Simi Valley, CA: 800-423-0150 • Fax: 864-834-3518 • www.tsbrass.com

	ITEM NO.	SALES NO.	DESCRIPTION
	1	S-0107-J	Stainless Steel 1.07 GPM Spray Valve (Blue)
	2	010476-45	#27 Washer
	3	S000907-30	Spray Valve Hold Down Ring
	4	S011482-30	Blue Grip Handle
	5	001014-45	Washer, Hose Barrel
	6	S-0044-H2A	Flexible Stainless Steel Hose
	7	S000888-30	EasyInstall Overhead Spring
	8	S000821-30	Spring Body
	9	S-0109-01	Stainless Steel 6" Wall Bracket
	10	S004R	Finger Hook
	11	S000372-30	3/8" NPT x 24" Riser, Stainless Steel
	12	S-0155-CR-LNEZ	Stainless Steel EasyInstall Add-On Faucet w/ Cerama Cartridge, Lever Handle (Less Nozzle)
	13	SEZ-K	Stainless Steel EasyInstall Kit: Nut, Bushing, O-Ring & Lock Washer
	14	001065-45	O-Ring
	15	014200-45	Star Washer, Anti-Rotation
	16	013111-45	Ceramic Cartridge w/ Temperature Limit Stop
	17	015400-45	Temperature Limit Stop
	18	S021022-20	Locking Nut, Stainless Steel
	19	014173-45	Index, Temperature
	20	016675-45	Set Screw
	21	S021020-30	Single Lever Handle, Stainless Steel
	22	S021021-30	Trim Ring, Stainless Steel
	23	S020656-20	Washer, Stainless Steel
	24	S020655-20	Lock Nut
	25	012436-45DR	Flexible Connector Hose
	26	S001638-30NS	Lever Handle (New Style)
	27	018506-19NS	Blue Button Index, Press-in
	28	000925-45	Lab Handle Screw
	29	S012394-30NS	Stainless Steel Quarter-Turn Cerama Cartridge w/ Check Valve, RTC
	30	S-PT	Stainless Steel Full Flow Stream Regulator, 55/64-27
	31	S062X	Stainless Steel 12" Swing Nozzle

Product Specifications:
Pre-Rinse Unit: EasyInstall Stainless Steel Single Hole Deck Mount Single Lever Faucet, Ceramic Cartridge, SS Add-On Faucet, SS 12" Swing Nozzle, 44" Flexible Stainless Steel Hose, Stainless Steel 1.07 GPM Spray Valve, Stainless Steel 6" Wall Bracket & Flexible Stainless Steel Supply Hoses

Product Compliance:
ASME A112.18.1 / CSA B125.1
NSF 61 - Section 9
NSF 372 (Low Lead Content)
2019 DOE PRSV - Class II