



# T&S BRASS AND BRONZE WORKS, INC.

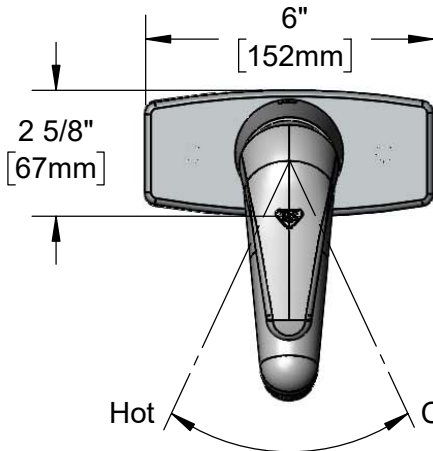
2 Saddleback Cove / P.O. Box 1088  
Travelers Rest, SC 29690

Model No.

**B-2703-VF22**

Item No.

Travelers Rest, SC: 800-476-4103 • Simi Valley, CA: 800-423-0150 • Fax: 864-834-3518 • www.tsbrass.com



**ADA Compliant**

This Space for Architect/Engineer Approval

Job Name \_\_\_\_\_ Date \_\_\_\_\_

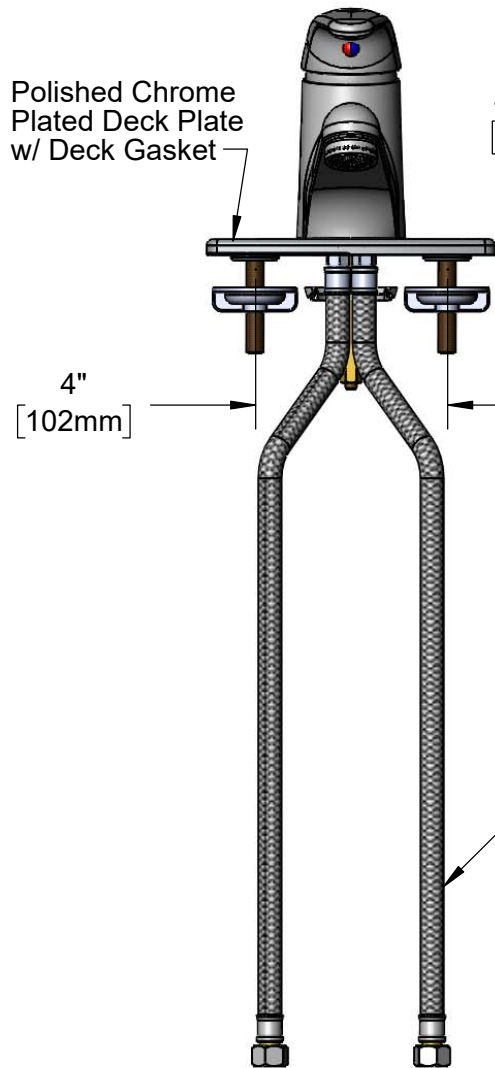
Model Specified \_\_\_\_\_ Quantity \_\_\_\_\_

Customer/Wholesaler \_\_\_\_\_

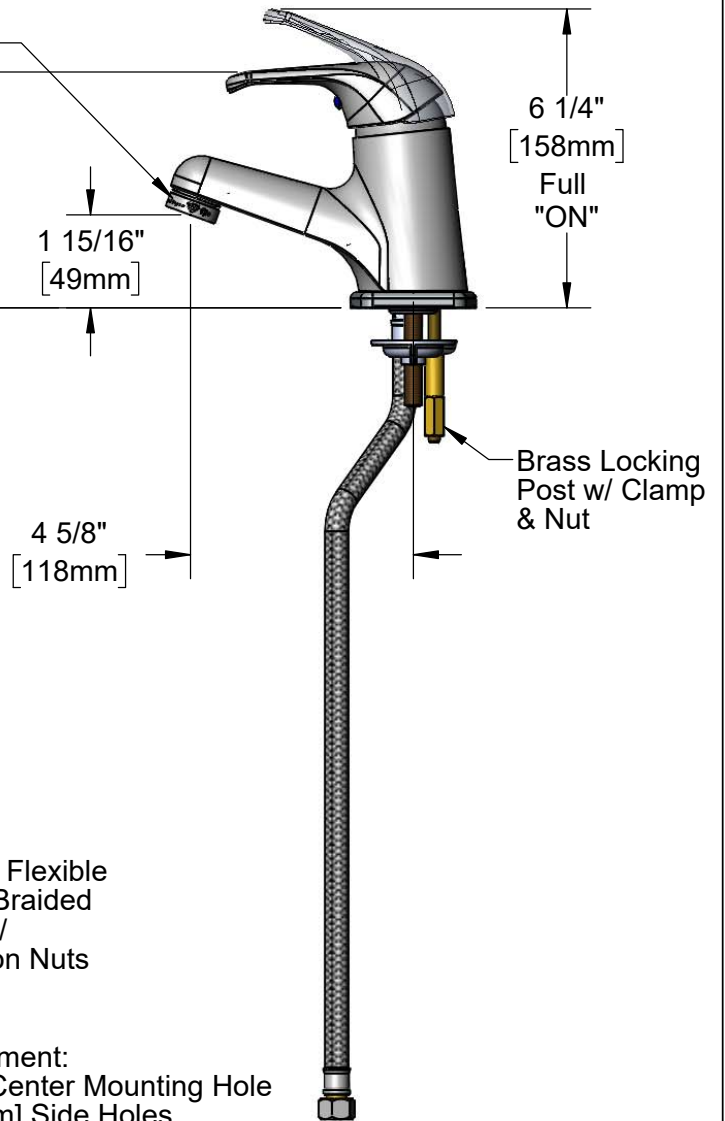
Contractor \_\_\_\_\_

Architect/Engineer \_\_\_\_\_

Polished Chrome  
Plated Deck Plate  
w/ Deck Gasket



B-0199-09  
2.2 GPM  
VR Aerator



(2) 16" [406mm] Flexible  
Stainless Steel Braided  
Supply Hoses w/  
3/8" Compression Nuts

Rough-in Requirement:  
Ø 1 1/2" [38mm] Center Mounting Hole  
(2) Ø 1 1/8" [29mm] Side Holes

**Product Specifications:**

Single Hole Single Lever Deck Mount Faucet, Ceramic Cartridge, Temperature Limit Stop, 2.2 GPM VR Aerator, 4" Forged Deck Plate & (2) 16" Flexible Stainless Steel Braided Supply Hoses

**Product Compliance:**

ASME A112.18.1 / CSA B125.1  
NSF 61 - Section 9  
NSF 372 (Low Lead Content)  
ANSI A117.1 (ADA)

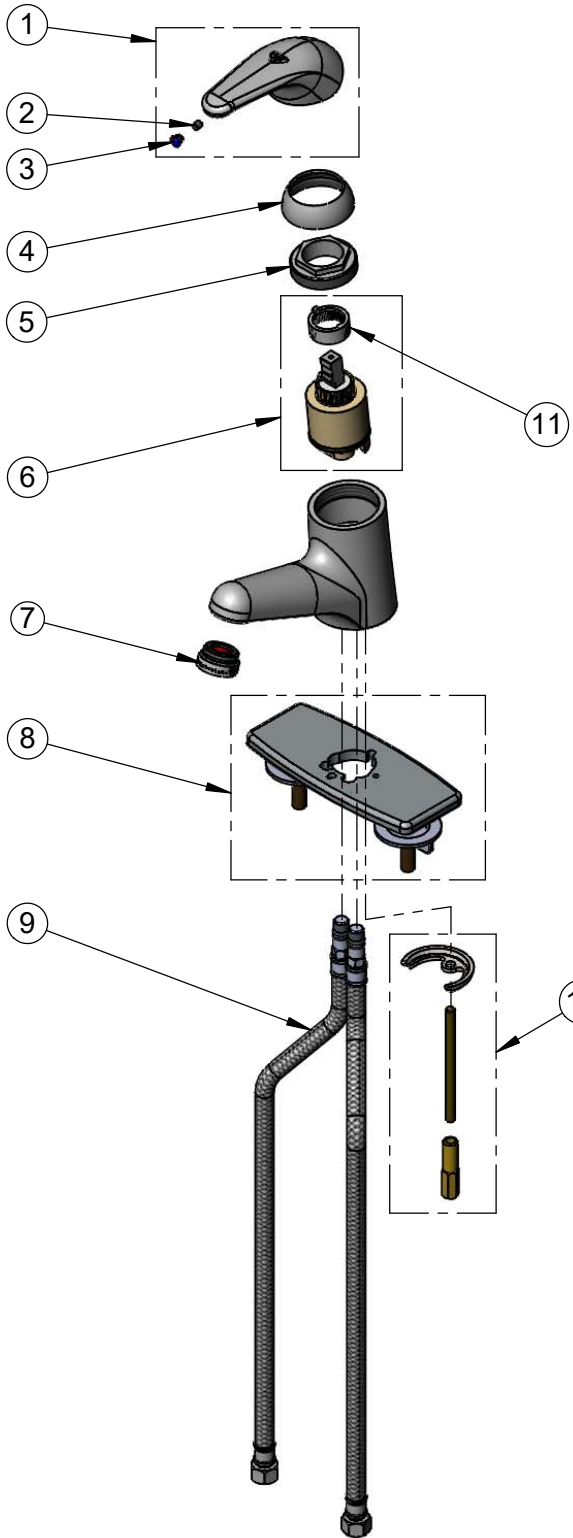


**T&S BRASS AND BRONZE WORKS, INC.**  
 2 Saddleback Cove / P.O. Box 1088  
 Travelers Rest, SC 29690

Model No.  
**B-2703-VF22**

Item No.

Travelers Rest, SC: 800-476-4103 • Simi Valley, CA: 800-423-0150 • Fax: 864-834-3518 • www.tsbrass.com



| ITEM NO. | SALES NO. | DESCRIPTION  |
|----------|-----------|--|
| 1        | 013113-45 | Single Lever Handle  |
| 2        | 016675-45 | Set Screw  |
| 3        | 014173-45 | Temperature Index  |
| 4        | 016661-45 | Trim Ring  |
| 5        | 016663-45 | Locking Nut  |
| 6        | 013111-45 | Ceramic Cartridge w/ Temperature Limit Stop                                    |
| 7        | B-0199-09 | VR 2.2 GPM Aerator, 15/16-27 Male w/ Key                                       |
| 8        | 013433-40 | 4" Universal Deck Plate, Gasket & Mounting Hardware                            |
| 9        | 016879-45 | (2) 16" Flexible Stainless Steel Braided Supply Hoses w/ 3/8" Compression Nuts |
| 10       | 019116-45 | Mounting Hardware Kit  |
| 11       | 015400-45 | Temperature Limit Stop   |



Product Specifications:  
 Single Hole Single Lever Deck Mount Faucet, Ceramic Cartridge, Temperature Limit Stop, 2.2 GPM VR Aerator, 4" Forged Deck Plate & (2) 16" Flexible Stainless Steel Braided Supply Hoses

Product Compliance:  
 ASME A112.18.1 / CSA B125.1  
 NSF 61 - Section 9  
 NSF 372 (Low Lead Content)  
 ANSI A117.1 (ADA)