



Architect/Engineering Specifications:

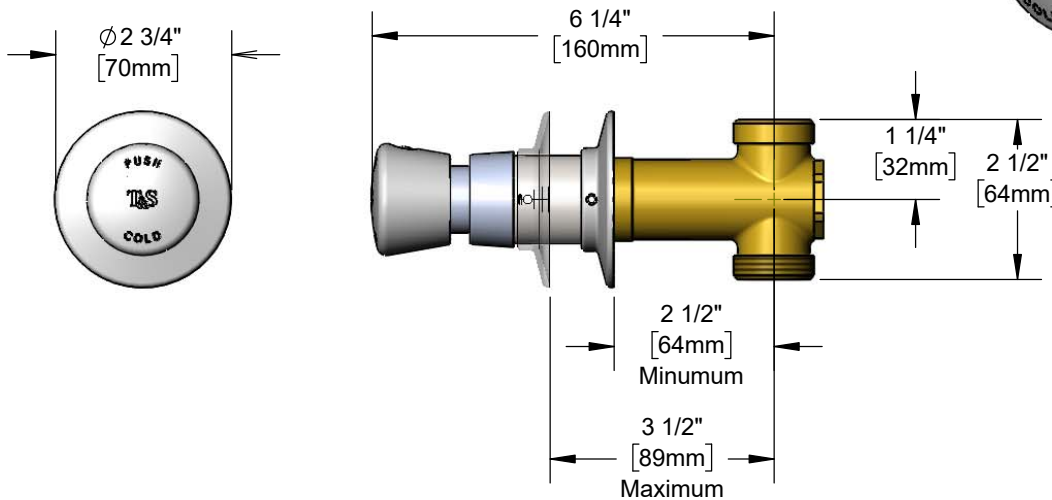
Concealed straight single valve with brass body, polished chrome plated brass adjustable wall flange and sleeve, 1/2" NPT female outlet, metering cartridge, cold push button cap, and 1/2" NPT female inlet with union coupling thread. Certified to ASME A112.18.1/CSA B125.1, NSF 61-Section 9, and NSF 372. Meets ADA ANSI/ICC A117.1 requirements.

Job Name \_\_\_\_\_

Model Specified \_\_\_\_\_ Quantity \_\_\_\_\_

Variations Specified \_\_\_\_\_

Date \_\_\_\_\_



Features & Benefits:

- Concealed straight single valve with brass body
- $\phi 2 \frac{3}{4}$ " polished chrome plated brass adjustable wall flange and sleeve
- 1/2" NPT female outlet
- Metering cartridge
- Adjustable metering cycle, 10 to 30 seconds
- Cold push button cap w/ vandal resistant screw
- 1/2" NPT female inlet with union coupling thread
- Material: Brass valve body, chrome plated metal handle, and polished chrome plated brass adjustable wall flange & sleeve

Product Compliance:

- ASME A112.18.1 / CSA B125.1
- NSF 61 - Section 9
- NSF 372 (Low Lead Content)
- ANSI A117.1 (ADA)

Warranty: One Year (Limited)

Performance Data:

- Pressure: 20 - 125 psi [1.38 - 8.62 bar]
- Temperature: 40 °F - 140 °F [4.44 °C - 60 °C]
- Flow Rate: 2.90 GPM [11 L/min] @ 60 psi [4.14 bar]
- Water Consumption: @10 sec = .48 gal [1.82 L/min]  
@15 sec = .73 gal [2.76 L/min]



ADA Compliant

