



Range Faucets and Pot Fillers

B-0300-PF-CR

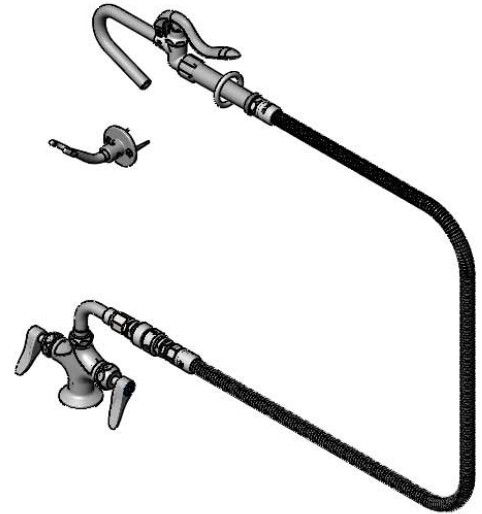
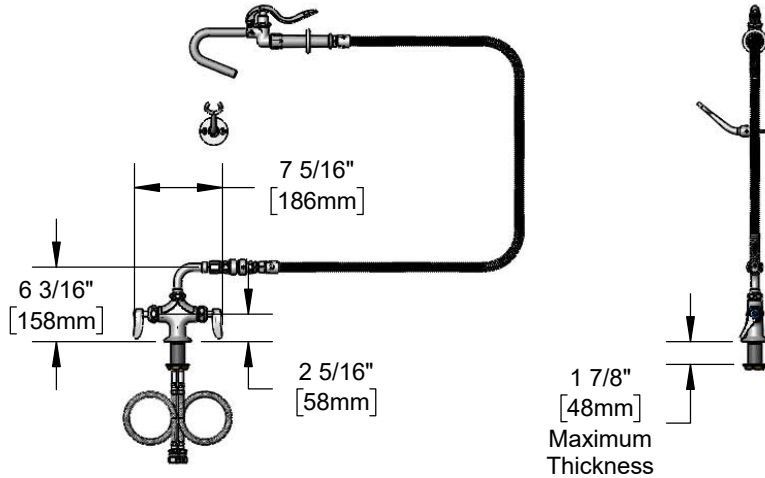
TAG:

Pot Filler Faucet

Architect/Engineering Specifications:

Single hole deck mount mixing faucet with polished chrome plated brass body, 90 ° swivel arm adapter, vacuum breaker, 60" flexible stainless steel hose, heat resistant handle, self closing pot filler valve with hook nozzle, ceramic cartridges with check valves, lever handles, 18" flexible stainless steel supply hoses with 1/2" NPSM / 5/8" O.D. compression connections and wall hook. Certified to ASME A112.18.1 / CSA B125.1, NSF 61-Section 9, NSF 372 and CSA B64.8.

Job Name _____
 Model Specified _____ Quantity _____
 Variations Specified _____
 Date _____



Features & Benefits:

- Single hole deck mount mixing faucet w/ polished chrome plated brass body
- Lock washer provided for rigid application
- 90 ° swivel arm adapter
- 60" flexible stainless steel hose w/ heat resistant gray handle and hold down ring
- Vacuum breaker
- Self closing pot filler valve with hook nozzle
- Quarter-turn Cerama cartridges w/ check valves to prevent cross flow of water
- Lever handles w/ color coded indexes
- 18" flexible stainless steel supply hoses with 1/2" NPSM / 5/8" O.D. compression connections
- Wall hook holds spray valve when not in use
- Material: Polished chrome plated brass body and spray valve body, stainless steel hose and chrome plated metal handles.

Product Compliance:

- ASME A112.18.1 / CSA B125.1
- NSF 61 - Section 9
- NSF 372 (Low Lead Content)
- CSA B64.8 (VB)
- 2019 DOE PRSV Non-Compliant



Warranty: One Year (Limited)

- Cerama Cartridge: Lifetime (Limited)

Performance Data:

- Pressure: 20 - 125 psi
- Temperature: 40 °F - 140 °F
- Flow Rate: 3.16 GPM @ 60 psi

Optional Handles

- 4" Wrist Action
- Lever (Standard)
- 4-Arm

Optional Cartridges With Checks

- Quarter-Turn Cerama w/ Check Valve (Standard)
- Quarter-Turn Eterna w/ Spring Check



T&S BRASS AND BRONZE WORKS, INC.



• 2 Saddleback Cove • Travelers Rest, SC 29690
 Ph 800-476-4103 • Fax 864-834-3518
 • Simi Valley, CA • Ph 800-423-0150 • www.tsbrass.com

Date: 01/31/20