



**T&S BRASS AND BRONZE WORKS, INC.**  
 2 Saddleback Cove / P.O. Box 1088  
 Travelers Rest, SC 29690

Model No.  
**B-0672-CR-RGH**

Item No.

Travelers Rest, SC: 800-476-4103 • Simi Valley, CA: 800-423-0150 • Fax: 864-834-3518 • www.tsbrass.com



**ADA Compliant**

This Space for Architect/Engineer Approval

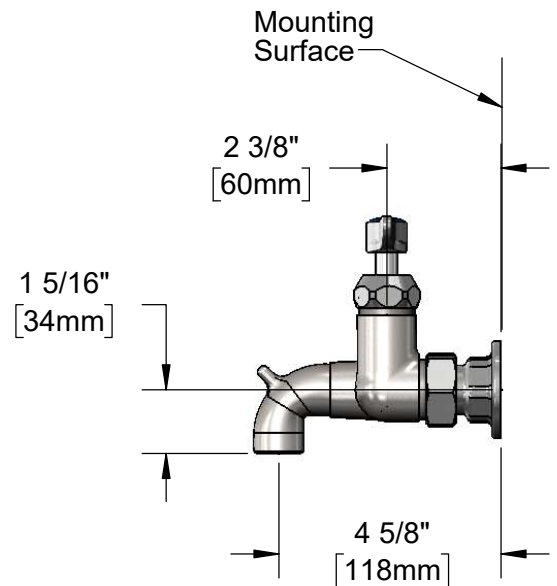
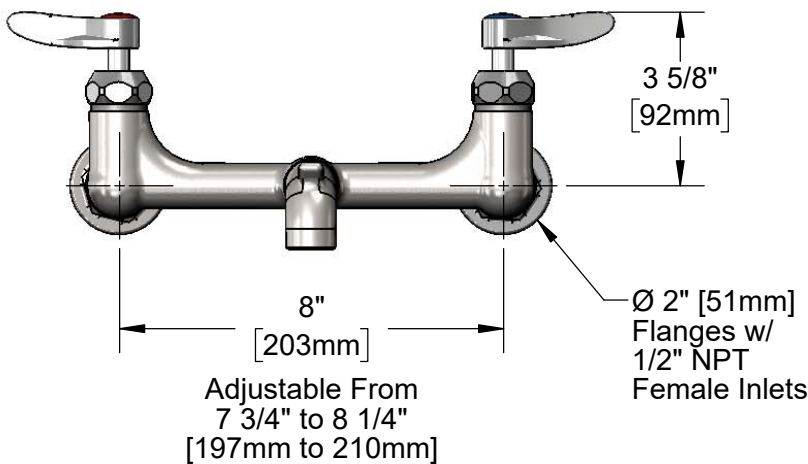
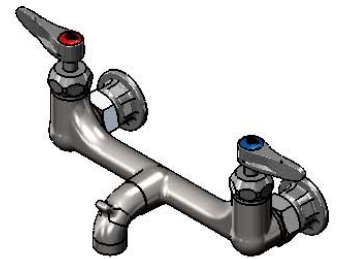
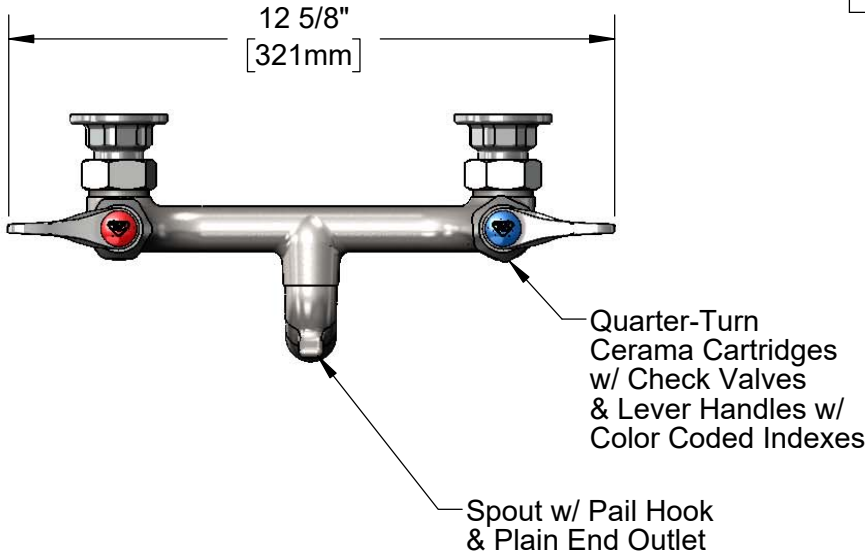
Job Name \_\_\_\_\_ Date \_\_\_\_\_

Model Specified \_\_\_\_\_ Quantity \_\_\_\_\_

Customer/Wholesaler \_\_\_\_\_

Contractor \_\_\_\_\_

Architect/Engineer \_\_\_\_\_



**Product Specifications:**

8" Wall Mount Rough Chrome Service Sink Mixing Faucet, Quarter-Turn Cerama Cartridges w/ Check Valves, Plain End Outlet Spout w/ Pail Hook & 1/2" Female Inlets

**Product Compliance:**

ASME A112.18.1 / CSA B125.1  
 NSF 61 - Section 9  
 NSF 372 (Low Lead Content)  
 ANSI A117.1 (ADA)



# T&S BRASS AND BRONZE WORKS, INC.

2 Saddleback Cove / P.O. Box 1088  
Travelers Rest, SC 29690

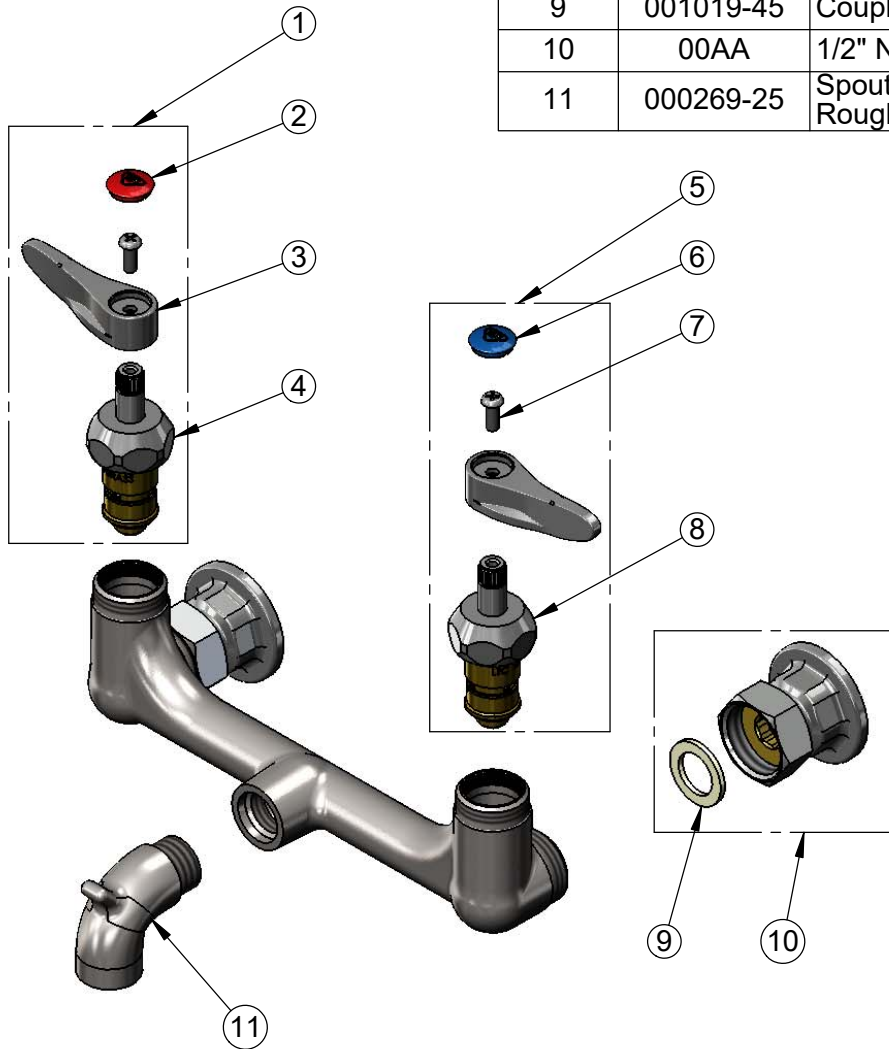
Model No.

**B-0672-CR-RGH**

Item No.

Travelers Rest, SC: 800-476-4103 • Simi Valley, CA: 800-423-0150 • Fax: 864-834-3518 • www.tsbrass.com

ITEM NO.	SALES NO.	DESCRIPTION
1	012446-25NS	Cerama Cartridge, RTC w/ Check Valve, Handle, Index & Screw
2	001193-19NS	Red Button Index, Press-in
3	001638-45NS	Lever Handle (New Style)
4	012394-25NS	Cerama Cartridge, RTC w/ Check Valve
5	012447-25NS	Cerama Cartridge, LTC w/ Check Valve, Handle, Index & Screw
6	018506-19NS	Blue Button Index, Press-in
7	000925-45	Lab Handle Screw
8	012395-25NS	Quarter-Turn Cerama Cartridge, LTC w/ Check Valve
9	001019-45	Coupling Nut Washer
10	00AA	1/2" NPT Female Eccentric Flange
11	000269-25	Spout w/ Pail Hook & Plain End Outlet, Rough Chrome



**Product Specifications:**

8" Wall Mount Rough Chrome Service Sink Mixing Faucet,  
Quarter-Turn Cerama Cartridges w/ Check Valves, Plain End  
Outlet Spout w/ Pail Hook & 1/2" Female Inlets

**Product Compliance:**

ASME A112.18.1 / CSA B125.1  
NSF 61 - Section 9  
NSF 372 (Low Lead Content)  
ANSI A117.1 (ADA)