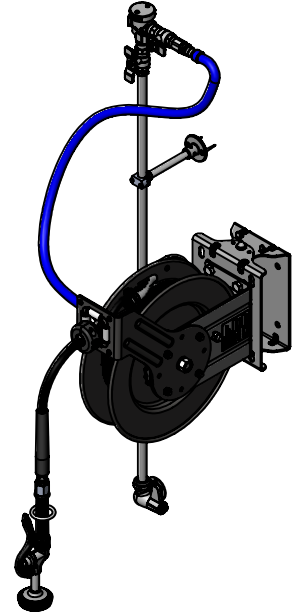
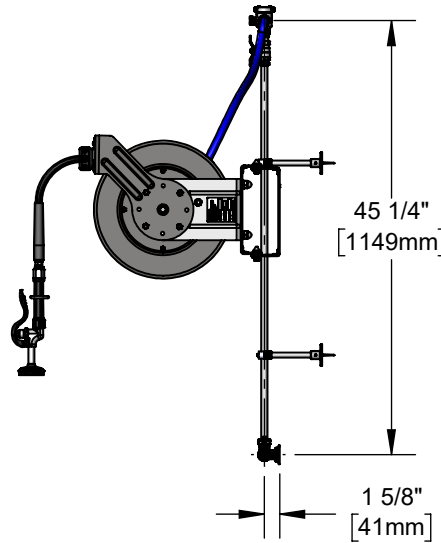
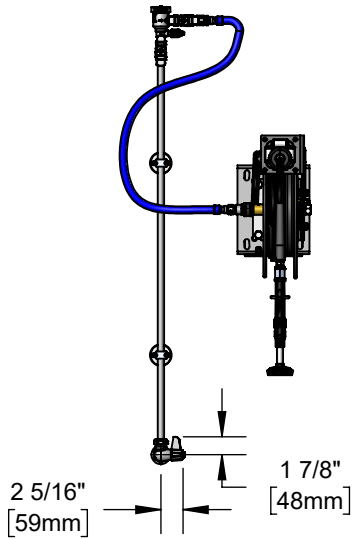


Architect/Engineering Specifications:

Single hole single temperature wall mount faucet with polished chrome plated brass body, ceramic cartridge, lever handle, 1/2" NPT female inlet, 40" riser, wall brackets, continuous pressure vacuum breaker, 36" flexible water hose with stainless steel quick disconnect, open epoxy coated steel hose reel with 3/8" x 35' hose, high flow spray valve, universal stainless steel wall mount swing bracket with reel-to-bracket mounting hardware and adjustable hose bumper. Certified to ASSE 1056.

Job Name _____
 Model Specified _____ Quantity _____
 Variations Specified _____
 Date _____



Features & Benefits:

- All-in-one system with exposed piping and accessories
- Single hole single temperature wall mount mixing faucet w/ polished chrome plated brass body
- Quarter-turn ceramic cartridge
- equip lever handle w/ screw
- 1/2" NPT female inlet with Ø 1 15/16" flange
- 40" riser
- (2) 3/8" wall brackets
- Continuous pressure vacuum breaker
- 36" flexible water hose connector with stainless steel quick disconnect
- Open epoxy coated steel hose reel w/ adjustable hose bumper
- Black high flow spray valve
- 3/8" x 35' hose
- Ratcheting system holds the length of hose until a slight tug to retract automatically
- EasyInstall 100° universal stainless steel wall mount swing bracket designed for one person installation with reel-to-bracket mounting hardware
- Material: Polished chrome plated brass faucet body riser and spray valve body, chrome plated handles, control valve, and vacuum breaker, epoxy coated steel open reel and wall bracket, stainless steel swing bracket

Product Compliance:

- NSF 61 Exempt (Non-Potable)
- 2019 DOE PRSV Non-Compliant
- ASSE 1056 (VB)



Warranty: One Year (Limited)

Performance Data:

- Pressure: 20 - 125 psi [1.38 - 8.62 bar]
- Temperature: 40°F - 140°F [4.44°C - 60°C]
- Flow Rate: 2.27 GPM [8.59 L/min] @ 60 psi [4.14 bar]