



# T&S BRASS AND BRONZE WORKS, INC.

2 Saddleback Cove / P.O. Box 1088  
Travelers Rest, SC 29690

Model No.

**009505-40**

Item No.

Travelers Rest, SC: 800-476-4103 • Simi Valley, CA: 800-423-0150 • Fax: 864-834-3518 • www.tsbrass.com



**ADA Compliant**

This Space for Architect/Engineer Approval

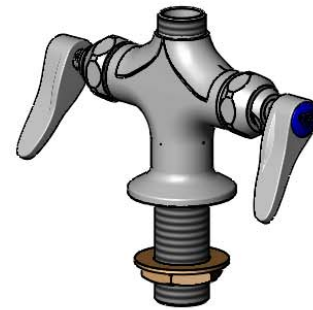
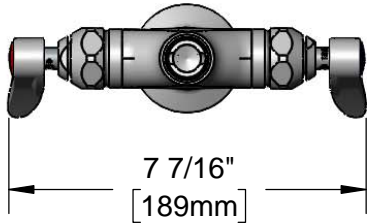
Job Name \_\_\_\_\_ Date \_\_\_\_\_

Model Specified \_\_\_\_\_ Quantity \_\_\_\_\_

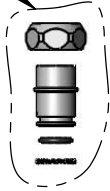
Customer/Wholesaler \_\_\_\_\_

Contractor \_\_\_\_\_

Architect/Engineer \_\_\_\_\_

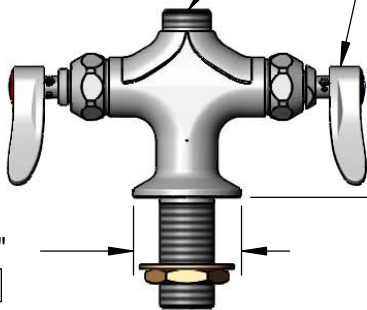


EZ-K  
EasyInstall Kit  
Converts Rigid Risers &  
Nozzles For Use with  
Swivel Outlet (Included)



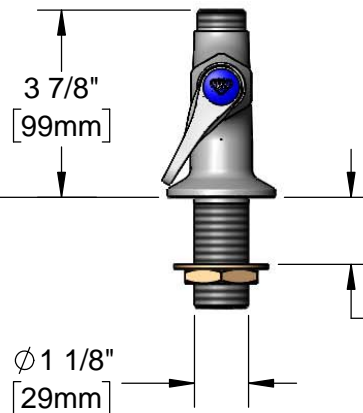
Swivel Outlet Accepts  
Standard T&S Swing Nozzles  
and EasyInstall Risers.

Quarter-Turn Eterna  
Cartridges w/ Spring  
Checks & Lever Handles  
w/ Color Coded Indexes



Mounting  
Surface

$\phi$  2 1/4"  
[57mm]  
Deck Flange



3 7/8"  
[99mm]

$\phi$  1 1/8"  
[29mm]

1 3/8"  
[35mm]  
Maximum  
Thickness

Rough-In Requirement:  
 $\phi$  1 1/2" [38mm] Mounting Hole

**Product Specifications:**

Single Hole Deck Mount Mixing Faucet, Quarter-Turn Eterna Cartridges w/  
Spring Checks & Lever Handles

**Product Compliance:**

ASME A112.18.1 / CSA B125.1  
NSF 61 - Section 9  
NSF 372 (Low Lead Content)  
ANSI A117.1 (ADA)



**T&S BRASS AND BRONZE WORKS, INC.**

2 Saddleback Cove / P.O. Box 1088  
Travelers Rest, SC 29690

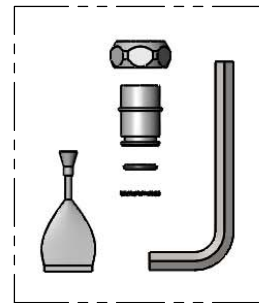
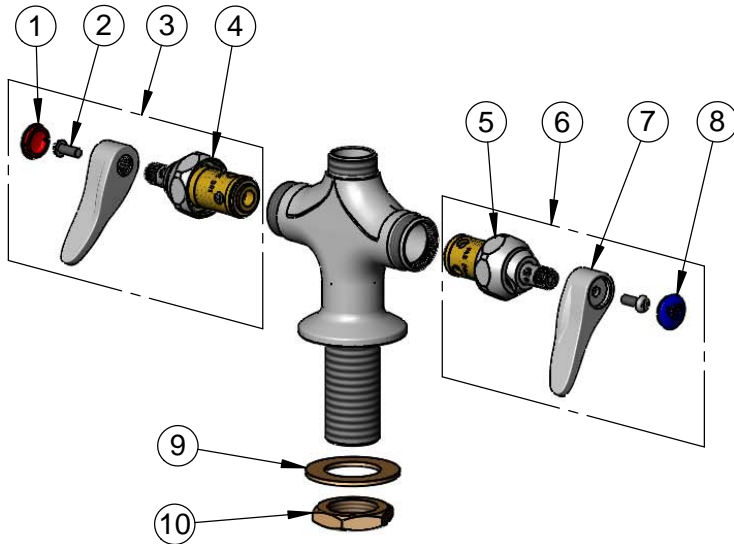
Model No.

**009505-40**

Item No.

Travelers Rest, SC: 800-476-4103 • Simi Valley, CA: 800-423-0150 • Fax: 864-834-3518 • www.tsbrass.com

ITEM NO.	SALES NO.	DESCRIPTION
1	001193-19NS	Red Button Index, Press-in
2	000925-45	Lab Handle Screw
3	002712-40NS	Quarter-Turn Eterna Cartridge w/ Spring Check, Handle, Red Index & Screw, RTC
4	012443-40NS	Quarter-Turn Eterna Cartridge w/ Spring Check, RTC
5	012442-40NS	Quarter-Turn Eterna Cartridge w/ Spring Check, LTC
6	002711-40NS	Quarter-Turn Eterna Cartridge w/ Spring Check, Handle, Blue Index & Screw, LTC
7	001638-45NS	Lever Handle (New Style)
8	018506-19NS	Blue Button Index, Press-in
9	002290-45	Lock Washer
10	000965-45	Lock Nut



**EZ-K**  
Converts Rigid Outlets to  
EasyInstall for Use with  
T&S Swivel Base Faucets

**Product Specifications:**

Single Hole Deck Mount Mixing Faucet, Quarter-Turn Eterna Cartridges w/ Spring Checks & Lever Handles

**Product Compliance:**

ASME A112.18.1 / CSA B125.1  
NSF 61 - Section 9  
NSF 372 (Low Lead Content)  
ANSI A117.1 (ADA)