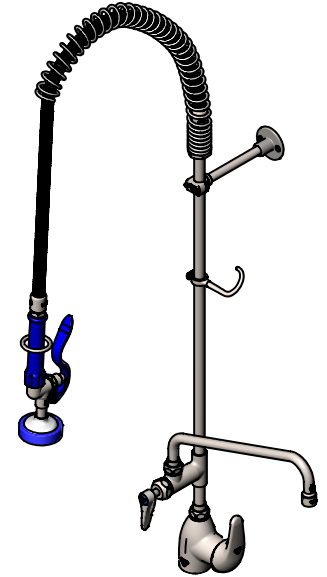
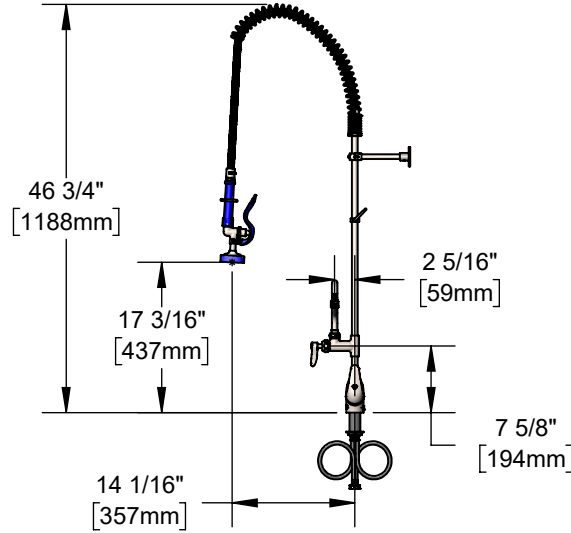
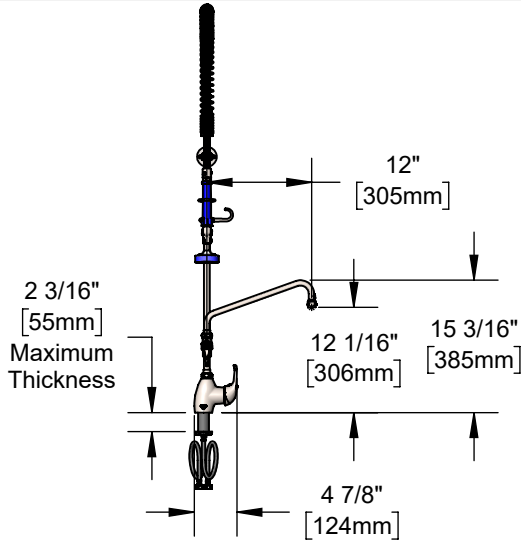




Architect/Engineering Specifications:

Single hole stainless steel deck mount single lever faucet, stainless steel 12" swing nozzle with stream regulator outlet, stainless steel 24" riser, 44" flexible stainless steel hose with heat resistant handle, stainless steel 1.15 GPM spray valve, ceramic cartridge, 18" flexible stainless steel supply hoses with G1/2 female swivel connections, stainless steel 6" adjustable wall bracket, stainless steel spray valve holder and stainless steel overhead spring. Certified to ASME A112.18.1/CSA B125.1, NSF 61-Section 9 and NSF 372. 2019 DOE PRSV - Class II compliant.

Job Name _____
Model Specified _____ Quantity _____
Variations Specified _____
Date _____



Features & Benefits:

- Deck mount single lever faucet w/ brushed stainless steel body
Stainless steel EasyInstall add-on faucet
Stainless steel 12" swing nozzle w/ stream regulator outlet, Series 1
Stainless steel 24" rigid riser
44" flexible stainless steel hose w/ heat resistant blue handle and hold down ring
Stainless steel 1.15 GPM spray valve
Ceramic cartridge
Stainless steel 6" adjustable wall bracket
18" flexible stainless steel supply hoses w/ G1/2 female swivel connections (compatible w/ 1/2" NPSM threads)
Material: Brushed stainless steel body and handle, stainless steel tubular nozzle, add-on faucet body, riser, spray valve, flexible hose, and stainless steel supply hoses

Product Compliance:

- ASME A112.18.1 / CSA B125.1
NSF 61 - Section 9
NSF 372 (Low Lead Content)
2019 DOE PRSV - Class II



Warranty: Lifetime (Limited)

- Ceramic Cartridge: Two Year (Limited)

Performance Data:

- Pressure: 20 - 125 psi [1.38 - 8.62 bar]
Temperature: 40°F - 140°F [4.44°C - 60°C]
Flow Rate:
Spray Valve: 1.15 GPM [4.35 L/min] @ 60 psi [4.14 bar]
Add-On Faucet: 5.13 GPM [19.42 L/min] @ 60 psi [4.14 bar]

Stainless Steel T&S Swing Nozzles

- S059X 6" Swing Nozzle
S060X 8" Swing Nozzle
S062X 12" Swing Nozzle (Standard)
S063X 14" Swing Nozzle
S065X 18" Swing Nozzle

Stainless Steel Optional Pre-Rinse Spray Valves

- S-0107 (1.15 GPM) (Standard)
S-0107-C (0.65 GPM)
S-0107-J (1.07 GPM)
S-0107-Y (1.15 GPM)

