



T&S BRASS AND BRONZE WORKS, INC.
 2 Saddleback Cove / P.O. Box 1088
 Travelers Rest, SC 29690

Model No.

B-0169-VB-32H

Item No.

Travelers Rest, SC: 800-476-4103 • Simi Valley, CA: 800-423-0150 • Fax: 864-834-3518 • www.tsbrass.com

This Space for Architect/Engineer Approval

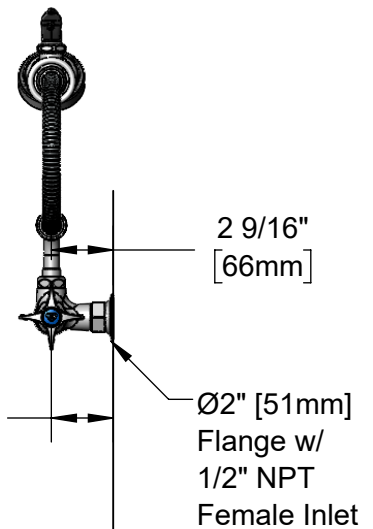
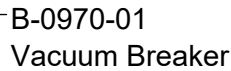
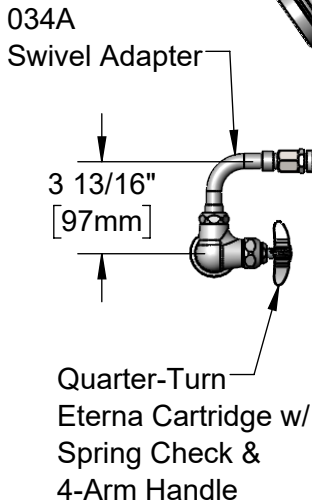
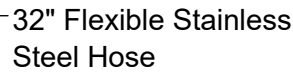
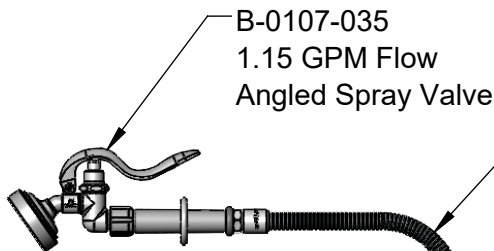
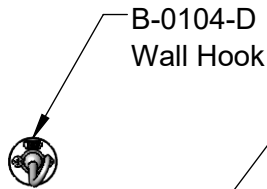
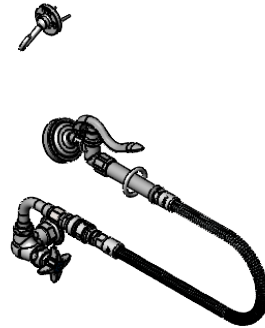
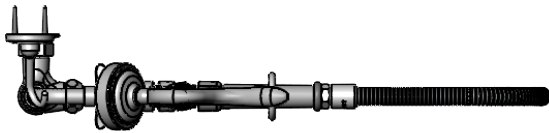
Job Name _____ Date _____

Model Specified _____ Quantity _____

Customer/Wholesaler _____

Contractor _____

Architect/Engineer _____



Mounting
Surface

Product Specifications:

Wall Mount Single Temperature Faucet, Quarter-Turn Eterna Cartridge w/ Spring Check, 4-Arm Handle, 32" Flexible Stainless Steel Hose w/ 1.15 GPM Angled Spray Valve, Vacuum Breaker, Wall Hook & 1/2" NPT Female Inlet

Product Compliance:

ASME A112.18.1 / CSA B125.1
 NSF 61 - Section 9
 NSF 372 (Low Lead Content)
 2019 DOE PRSV - Class II
 CSA B64.8 (VB)



T&S BRASS AND BRONZE WORKS, INC.

2 Saddleback Cove / P.O. Box 1088
Travelers Rest, SC 29690

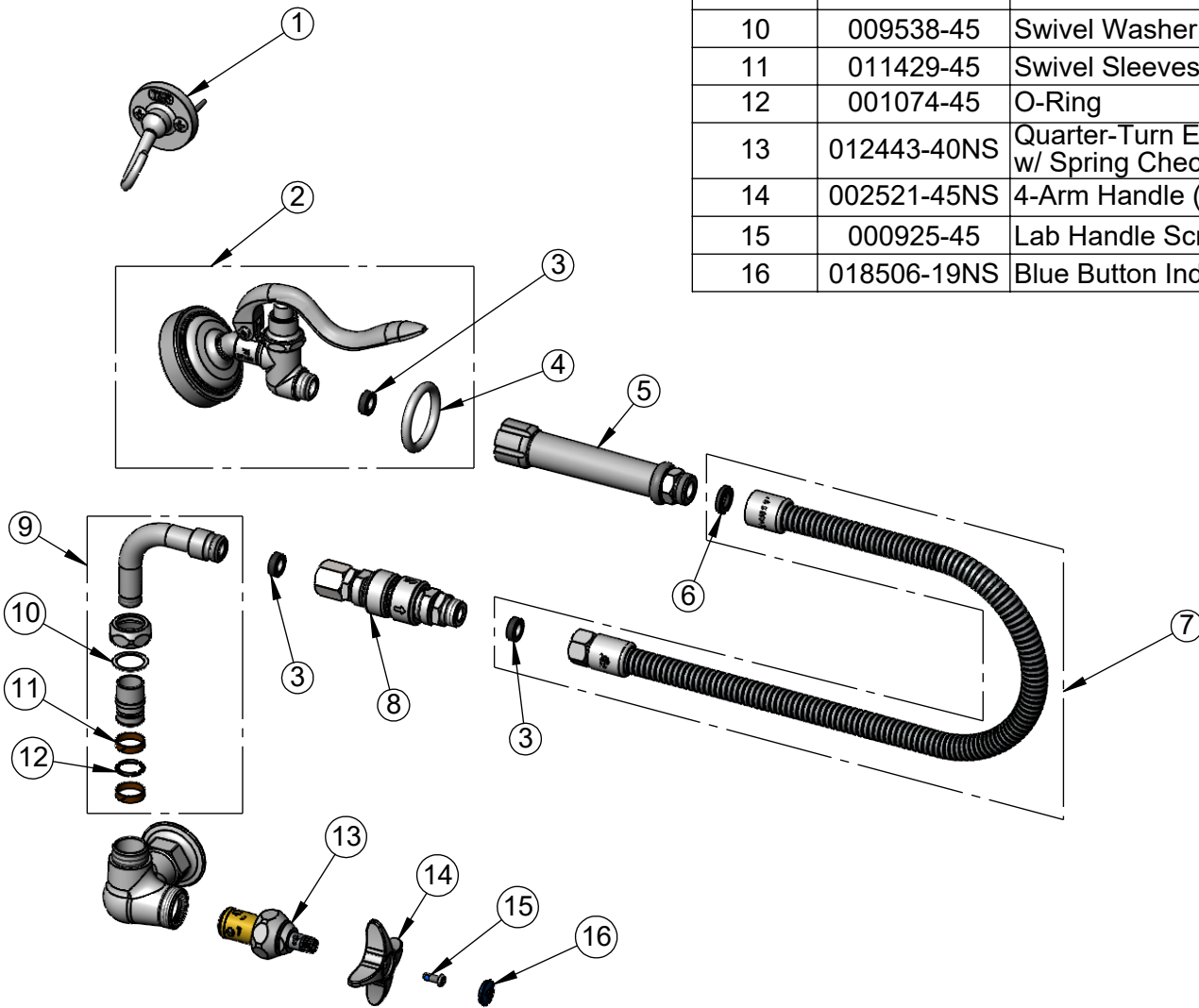
Model No.

B-0169-VB-32H

Item No.

Travelers Rest, SC: 800-476-4103 • Simi Valley, CA: 800-423-0150 • Fax: 864-834-3518 • www.tsbrass.com

ITEM NO.	SALES NO	DESCRIPTION
1	B-0104-D	Wall Hook w/ Mounting Screws
2	B-0107-035	1.15 GPM Angled Spray Valve
3	010476-45	#27 Washer
4	000907-45	Spray Valve Hold Down Ring
5	002987-40	Grip Handle
6	001014-45	Washer, Hose Barrel
7	B-0032-H	32" Flexible Stainless Steel Hose, Less Handle
8	B-0970-01	Vacuum Breaker w/ Hose Adapter
9	034A	90° Swivel Adapter Arm
10	009538-45	Swivel Washer
11	011429-45	Swivel Sleeves (2)
12	001074-45	O-Ring
13	012443-40NS	Quarter-Turn Eterna Cartridge w/ Spring Check, RTC
14	002521-45NS	4-Arm Handle (New Style)
15	000925-45	Lab Handle Screw
16	018506-19NS	Blue Button Index, Press-in



Product Specifications:

Wall Mount Single Temperature Faucet, Quarter-Turn Eterna Cartridge w/ Spring Check, 4-Arm Handle, 32" Flexible Stainless Steel Hose w/ 1.15 GPM Angled Spray Valve, Vacuum Breaker, Wall Hook & 1/2" NPT Female Inlet

Product Compliance:

ASME A112.18.1 / CSA B125.1
NSF 61 - Section 9
NSF 372 (Low Lead Content)
2019 DOE PRSV - Class II
CSA B64.8 (VB)