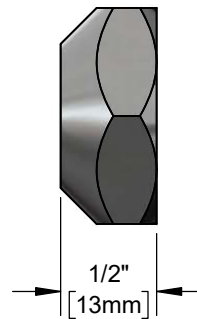
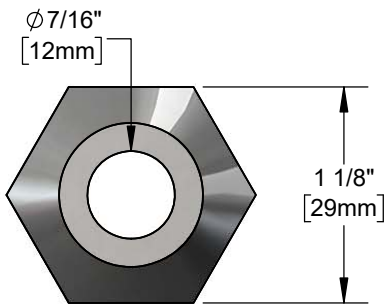




Architect/Engineering Specifications:

Polished chrome plated brass bonnet with 1-20 UNEF female thread.

Job Name _____
 Model Specified _____ Quantity _____
 Variations Specified _____
 Date _____



Features & Benefits:

- Bonnet
- 1-20 UNEF Female Thread
- Material: Polished chrome plated brass

Product Compliance:

- N/A

Warranty: One Year (Limited)

Performance Data:

- N/A

