



T&S BRASS AND BRONZE WORKS, INC.

2 Saddleback Cove / P.O. Box 1088
Travelers Rest, SC 29690

Model No.

EB-0236

Item No.

Travelers Rest, SC: 800-476-4103 • Simi Valley, CA: 800-423-0150 • Fax: 864-834-3518 • www.tsbrass.com

This Space for Architect/Engineer Approval

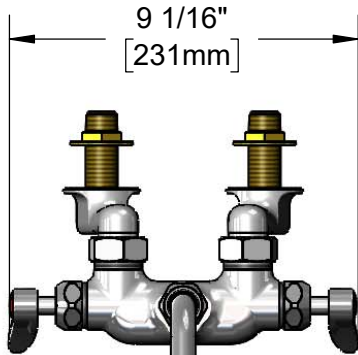
Job Name _____ Date _____

Model Specified _____ Quantity _____

Customer/Wholesaler _____

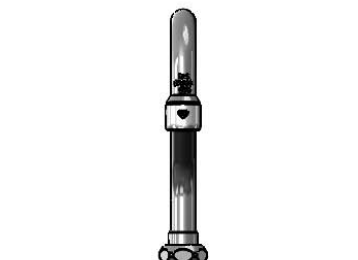
Contractor _____

Architect/Engineer _____



9 1/16"
[231mm]

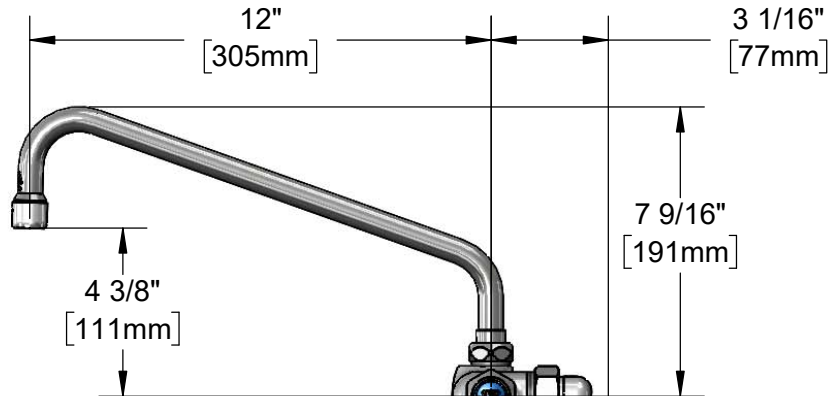
062X-A22
12" Swing Nozzle w/
2.2 GPM Aerator.
Converts to Rigid w/
014200-45 Lock Washer
(Included)



Quarter-Turn Cerama
Cartridges w/ Check
Valves & Lever Handles
w/ Color Coded Indexes

Adjustable
from
2 1/4" to 8 1/4"
[57mm to 210mm]
Below or Above Centerline

Ø2" [51mm]
Wall Flanges



12"
[305mm]

3 1/16"
[77mm]

4 3/8"
[111mm]

7 9/16"
[191mm]

1/2" BSPT
Male Inlets

1 1/8"
[29mm]
Maximum
Thickness

2"
[51mm]

Mounting Surface

Rough-In Requirement:
(2) Ø 1" [25mm] Mounting Holes

Product Specifications:

Adjustable Wall Mount Mixing Faucet w/ Adjustable Inlet Arms, Quarter-Turn Cerama Cartridges w/ Check Valves, Lever Handles, 305mm Swing Nozzle, 2.2 GPM Aerator & 1/2" BSPT Male Inlets

Product Compliance:

ASME A112.18.1 / CSA B125.1
NSF 61 - Section 9
NSF 372 (Low Lead Content)
ANSI A117.1 (ADA)



T&S BRASS AND BRONZE WORKS, INC.

2 Saddleback Cove / P.O. Box 1088
Travelers Rest, SC 29690

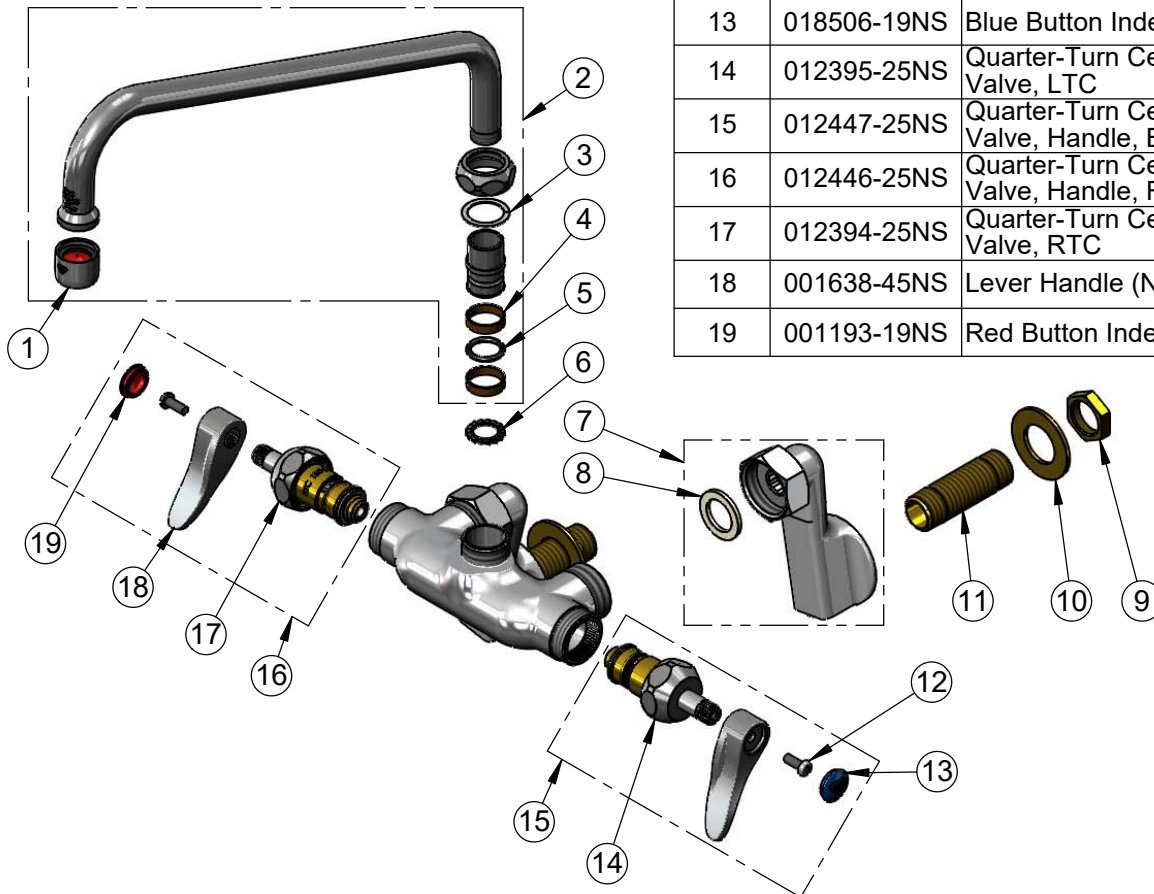
Model No.

EB-0236

Item No.

Travelers Rest, SC: 800-476-4103 • Simi Valley, CA: 800-423-0150 • Fax: 864-834-3518 • www.tsbrass.com

ITEM NO.	SALES NO.	DESCRIPTION
1	B-0199-01	2.2 GPM Aerator, 55/64"-27 UN Female
2	062X-A22	12" Swing Nozzle w/ 2.2 GPM Aerator
3	009538-45	Swivel Washer
4	011429-45	Swivel Sleeves (2)
5	001074-45	O-Ring
6	014200-45	Star Washer, Anti-Rotation
7	00GG	1/2" NPT Female Adjustable Arm Inlet Asm
8	001019-45	Coupling Nut Washer
9	002954-45	Shank Lock Nut
10	000999-45	Brass Lock Washer
11	002814-45	Shank
12	000925-45	Lab Handle Screw
13	018506-19NS	Blue Button Index, Press-in
14	012395-25NS	Quarter-Turn Cerama Cartridge w/ Check Valve, LTC
15	012447-25NS	Quarter-Turn Cerama Cartridge w/ Check Valve, Handle, Blue Index & Screw, LTC
16	012446-25NS	Quarter-Turn Cerama Cartridge w/ Check Valve, Handle, Red Index & Screw, RTC
17	012394-25NS	Quarter-Turn Cerama Cartridge w/ Check Valve, RTC
18	001638-45NS	Lever Handle (New Style)
19	001193-19NS	Red Button Index, Press-in



Product Specifications:

Adjustable Wall Mount Mixing Faucet w/ Adjustable Inlet Arms, Quarter-Turn Cerama Cartridges w/ Check Valves, Lever Handles, 305mm Swing Nozzle, 2.2 GPM Aerator & 1/2" BSPT Male Inlets

Product Compliance:

ASME A112.18.1 / CSA B125.1
NSF 61 - Section 9
NSF 372 (Low Lead Content)
ANSI A117.1 (ADA)