



# T&S BRASS AND BRONZE WORKS, INC.

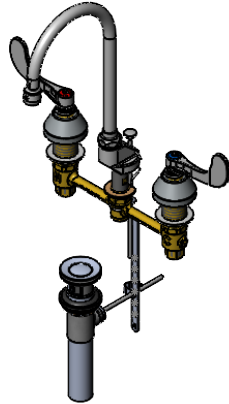
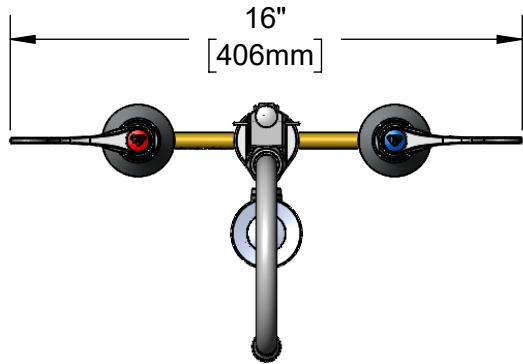
2 Saddleback Cove / P.O. Box 1088  
Travelers Rest, SC 29690

Model No.

**B-2869-04**

Item No.

Travelers Rest, SC: 800-476-4103 • Simi Valley, CA: 800-423-0150 • Fax: 864-834-3518 • www.tsbrass.com



This Space for Architect/Engineer Approval

Job Name \_\_\_\_\_ Date \_\_\_\_\_

Model Specified \_\_\_\_\_ Quantity \_\_\_\_\_

Customer/Wholesaler \_\_\_\_\_

Contractor \_\_\_\_\_

Architect/Engineer \_\_\_\_\_

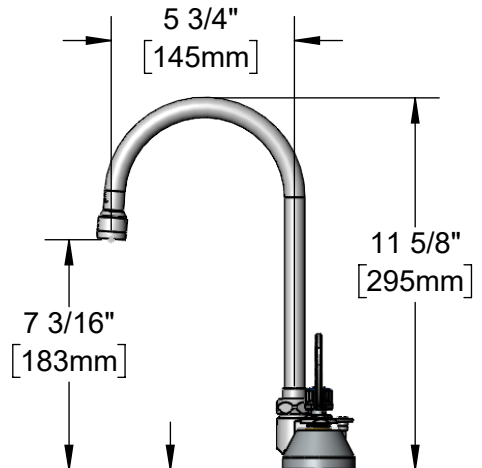
133X-A22 Swivel Gooseneck w/ 2.2 GPM Aerator. Rigid Conversion Requires 014200-45 Lock Washer (Included)

Pop-Up Swivel Deck Flange

Quarter-Turn Eterna Cartridges w/ Spring Checks & 4" Wrist Action Handles w/ Color Coded Indexes

4 1/4" [108mm]

Mounting Surface



8" [203mm]

Ø 2 1/4" [57mm] Escutcheons

1/2" NPT Coupling Nuts

1 1/4" [31mm] Maximum Thickness

Pop-Up Drain

### Rough-In Required:

Center Shank: Ø 1" [25mm] Mounting Holes

Hot/Cold Side: Ø 1 1/2" [38mm] Mounting Holes

Pop-Up Drains: Fits Sinks with Ø 1 7/16" [36mm] to Ø 1 3/4" [40mm] Drain Hole

### Product Specifications:

8" Concealed Widespread EasyInstall Mixing Faucet, 4" Wrist Action Handles, Quarter-Turn Eterna Cartridges w/ Spring Checks, Pop-Up Drain, 5 3/4" Swivel/Rigid Gooseneck w/ 2.2 GPM Aerator and 1/2" NPT Male Inlets w/ Coupling Nuts

### Product Compliance:

ASME A112.18.1 / CSA B125.1  
NSF 61 - Section 9  
NSF 372 (Low Lead Content)



# T&S BRASS AND BRONZE WORKS, INC.

2 Saddleback Cove / P.O. Box 1088  
Travelers Rest, SC 29690

Model No.

**B-2869-04**

Item No.

Travelers Rest, SC: 800-476-4103 • Simi Valley, CA: 800-423-0150 • Fax: 864-834-3518 • www.tsbrass.com

	ITEM NO.	SALES NO.	DESCRIPTION
	1	B-0199-01	2.2 GPM Aerator, 55/64-27 UN Female
	2	133X-A22	6" Swivel Gooseneck w/ 2.2 GPM Aerator
	3	014200-45	Star Washer, Anti-Rotation
	4	018506-19NS	Blue Button Index, Press-in
	5	000925-45	Lab Handle Screw
	6	B-WH4-NS	Wrist Action Handle - New Style
	7	002954-45	Shank Lock Nut
	8	016745-45	Compression Nut & Fitting
	9	016752-40NS	EasyInstall CWS LTC Quarter-Turn Eterna Cartridge w/ Spring Check
	10	016749-45	Sidebody C-Washer
	11	016777-45	CWS Hanger
	12	B-0898	Pop-Up Drain
	13	000958-20	Coupling Nut
	14	016753-40NS	EasyInstall CWS RTC Quarter-Turn Eterna Cartridge w/ Spring Check
	15	016743-20	CWS Bonnet
	16	009002-40NS	Packing Nut (New Style)
	17	001257-40NS	Bell Escutcheon
	18	001193-19NS	Red Button Index, Press-in

**Product Specifications:**  
 8" Concealed Widespread EasyInstall Mixing Faucet, 4" Wrist Action Handles, Quarter-Turn Eterna Cartridges w/ Spring Checks, Pop-Up Drain, 5 3/4" Swivel/Rigid Gooseneck w/ 2.2 GPM Aerator and 1/2" NPT Male Inlets w/ Coupling Nuts

**Product Compliance:**  
 ASME A112.18.1 / CSA B125.1  
 NSF 61 - Section 9  
 NSF 372 (Low Lead Content)