



# T&S BRASS AND BRONZE WORKS, INC.

2 Saddleback Cove / P.O. Box 1088  
Travelers Rest, SC 29690

Model No.

**017970-40**

Item No.

Travelers Rest, SC: 800-476-4103 • Simi Valley, CA: 800-423-0150 • Fax: 864-834-3518 • www.tsbrass.com



**ADA Compliant**

This Space for Architect/Engineer Approval

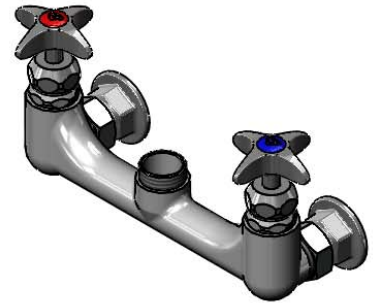
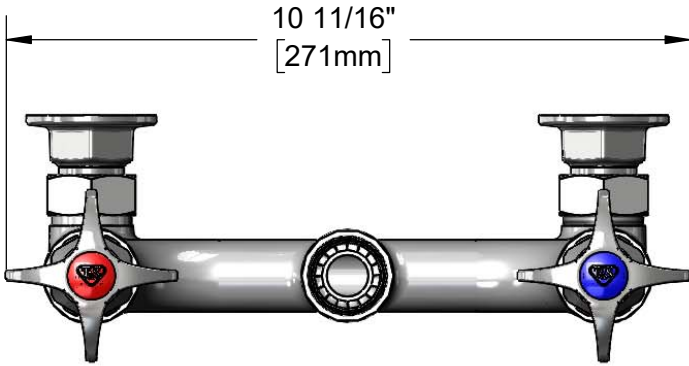
Job Name \_\_\_\_\_ Date \_\_\_\_\_

Model Specified \_\_\_\_\_ Quantity \_\_\_\_\_

Customer/Wholesaler \_\_\_\_\_

Contractor \_\_\_\_\_

Architect/Engineer \_\_\_\_\_

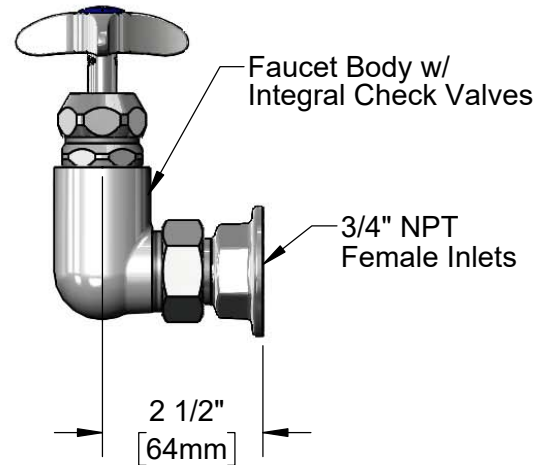
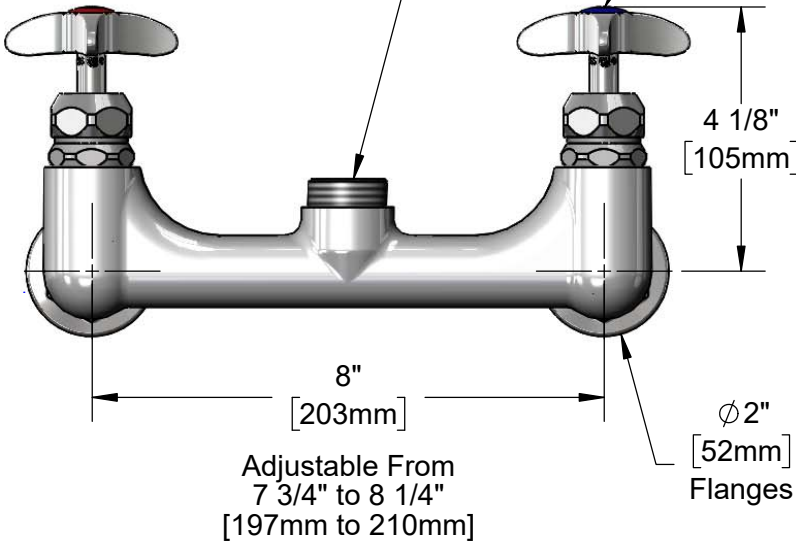


Swivel Outlet Accepts Standard T&S Big-Flo Swing Nozzles. Converts to Rigid with 016807-45 Lock Washer (Included)

Big-Flo Cartridges & 4 Arm Handles w/ Vandal Resistant Screws & Color Coded Indexes

Faucet Body w/ Integral Check Valves

3/4" NPT Female Inlets



**Product Specifications:**

8" Wall Mount Big-Flo Mixing Faucet Less Nozzle, Integral Check Valves, Big-Flo Cartridges, 4-Arm Handles w/ Vandal Resistant Screws and 3/4" NPT Female Inlets

**Product Compliance:**

ASME A112.18.1 / CSA B125.1  
NSF 61 - Section 9  
NSF 372 (Low Lead Content)  
ANSI A117.1 (ADA)



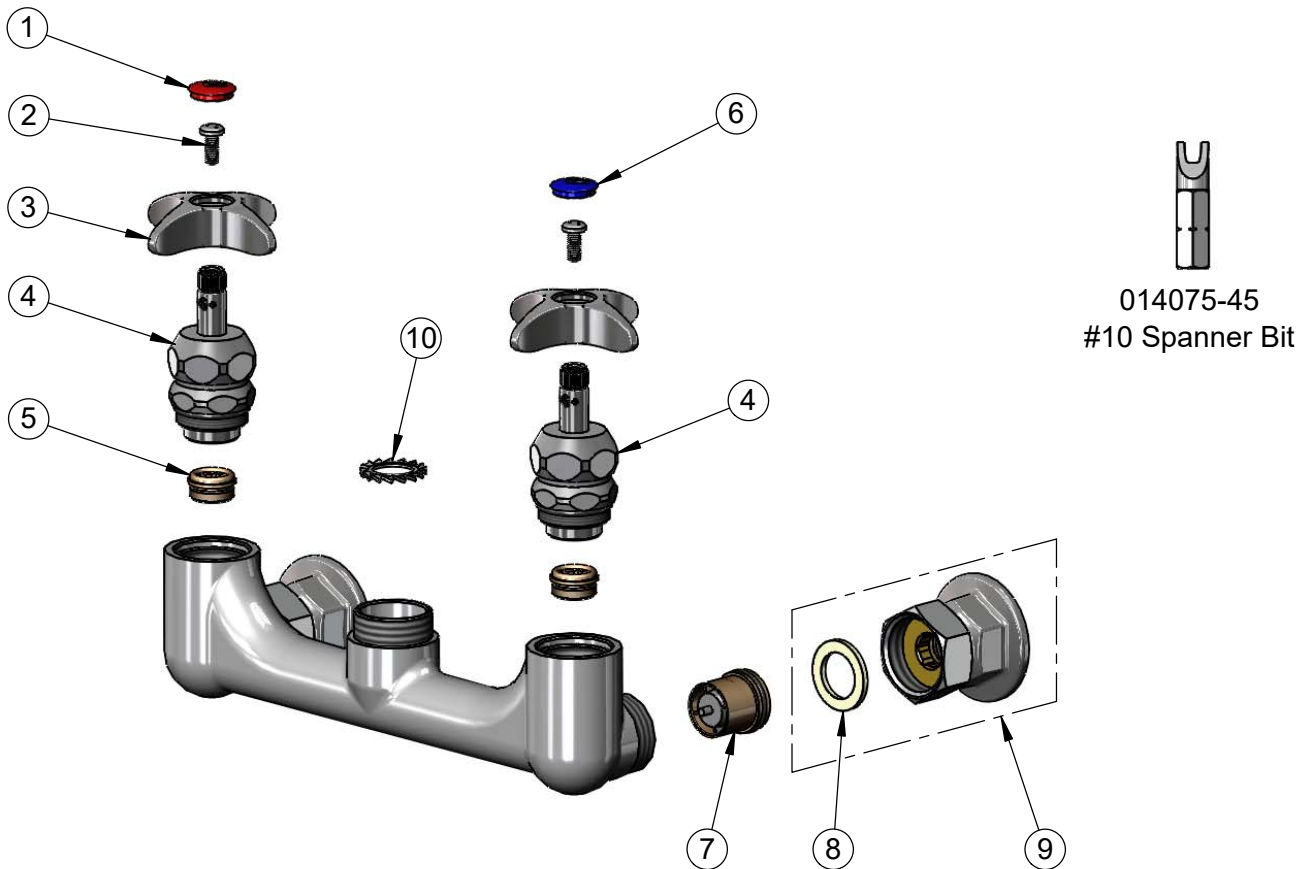
**T&S BRASS AND BRONZE WORKS, INC.**  
 2 Saddleback Cove / P.O. Box 1088  
 Travelers Rest, SC 29690

Model No.  
**017970-40**

Item No.

Travelers Rest, SC: 800-476-4103 • Simi Valley, CA: 800-423-0150 • Fax: 864-834-3518 • www.tsbrass.com

ITEM NO.	SALES NO.	DESCRIPTION
1	001193-19NS	Red Button Index, Press-in
2	VRS-2	VR Wrist Action Handle Screw (2) w/ Spanner Bit
3	002521-45NS	4-Arm Handle (New Style)
4	006482-40NS	Big-Flo Cartridge, RTC
5	000764-20	Seat, Big-Flo
6	018506-19NS	Blue Button Index, Press-in
7	016902-20	NV20 Check Valve Sleeve
8	001019-45	Coupling Nut Washer
9	00BB	3/4" NPT Female Eccentric Flange
10	016807-45	Serrated Lock Washer



**Product Specifications:**  
 8" Wall Mount Big-Flo Mixing Faucet Less Nozzle, Integral Check Valves, Big-Flo Cartridges, 4-Arm Handles w/ Vandal Resistant Screws and 3/4" NPT Female Inlets

**Product Compliance:**  
 ASME A112.18.1 / CSA B125.1  
 NSF 61 - Section 9  
 NSF 372 (Low Lead Content)  
 ANSI A117.1 (ADA)