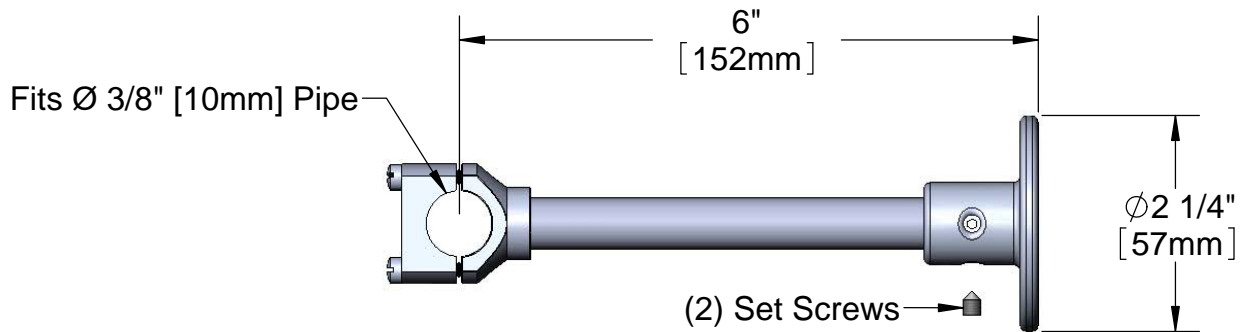
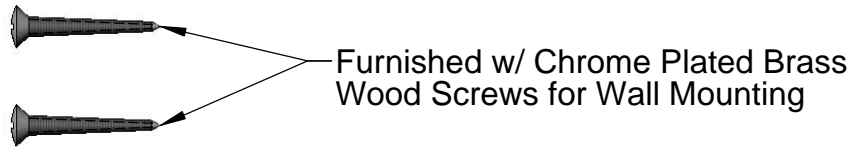
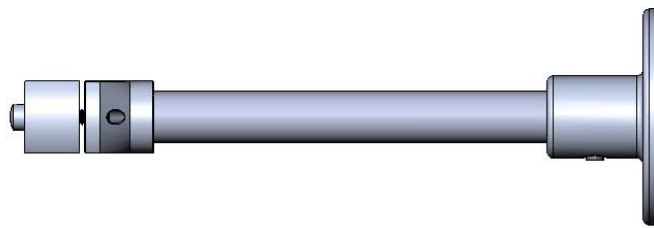
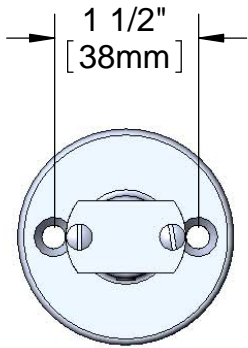
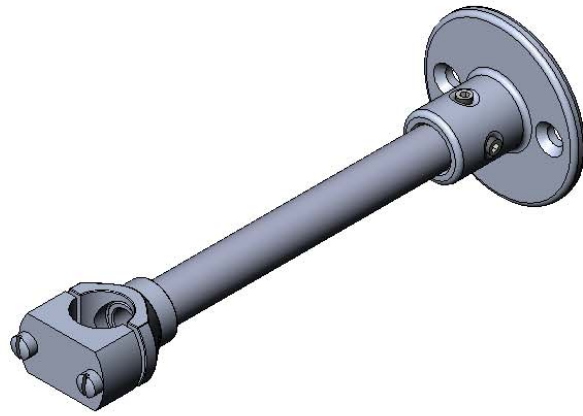


*This Space for Architect/Engineer Approval*

Job Name \_\_\_\_\_ Date \_\_\_\_\_  
 Model Specified \_\_\_\_\_ Quantity \_\_\_\_\_  
 Customer/Wholesaler \_\_\_\_\_  
 Contractor \_\_\_\_\_  
 Architect/Engineer \_\_\_\_\_



Model Number 013716-40	Date 06/03/11	Scale 1:2	Drawn DHL	Checked KJG	Approved JHB
---------------------------	------------------	--------------	--------------	----------------	-----------------



Product Specifications:  
 6" Wall Bracket Assembly for Ø 3/8" Pipe w/ Mounting Hardware

equip Foodservice Accessories  
 2 Saddleback Cove, P.O. Box 1088  
 Travelers Rest, South Carolina 29690  
 Phone: 800.891.4808 Fax: 800.868.0084