



T&S BRASS AND BRONZE WORKS, INC.
 2 Saddleback Cove / P.O. Box 1088
 Travelers Rest, SC 29690

Model No.
S-1125-CR-LN

Item No.

Travelers Rest, SC: 800-476-4103 • Simi Valley, CA: 800-423-0150 • Fax: 864-834-3518 • www.tsbrass.com

EVERSTEEL



ADA Compliant

This Space for Architect/Engineer Approval

Job Name _____ Date _____

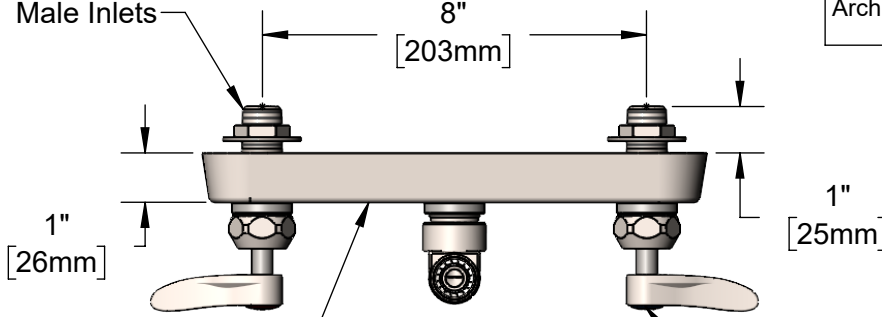
Model Specified _____ Quantity _____

Customer/Wholesaler _____

Contractor _____

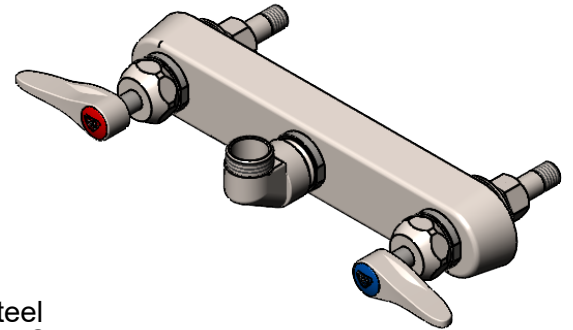
Architect/Engineer _____

1/2" NPT
 Stainless Steel
 Male Inlets

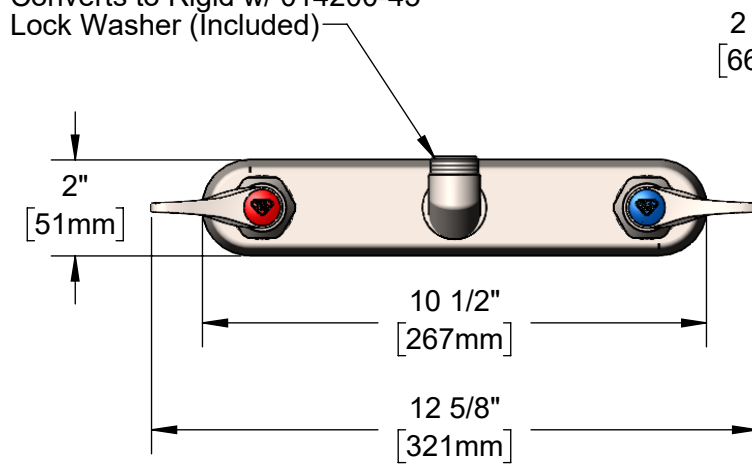


Stainless Steel
 Escutcheon

Stainless Steel
 Quarter-Turn Cerama
 Cartridges w/ Check
 Valves & Stainless
 Steel Lever Handles
 w/ Color Coded Indexes

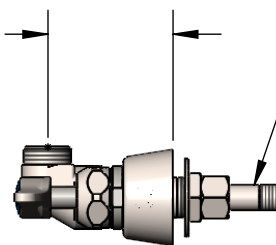


Swivel Outlet Accepts
 Standard T&S Stainless
 Steel Swing Nozzles.
 Converts to Rigid w/ 014200-45
 Lock Washer (Included)



2 5/8"
 [66mm]

(2) S150A
 Optional
 Stainless Steel
 Tailpieces & Nuts
 for 1/4" NPT
 Connection
 (Included)



1/4"
 [6mm]
 Maximum
 Thickness

Mounting Surface

Rough-In Requirement:
 (2) \varnothing 1" [25mm] Mounting Holes

Product Specifications:
 8" Stainless Steel Wall Mount Workboard Faucet Less Nozzle, Stainless Steel
 Quarter-Turn Cerama Cartridges w/ Check Valves, Stainless Steel Lever
 Handles & 1/2" NPT Stainless Steel Male Inlets

Product Compliance:
 ASME A112.18.1 / CSA B125.1
 NSF 61 - Section 9
 NSF 372 (Low Lead Content)
 ANSI A117.1 (ADA)



T&S BRASS AND BRONZE WORKS, INC.

2 Saddleback Cove / P.O. Box 1088
Travelers Rest, SC 29690

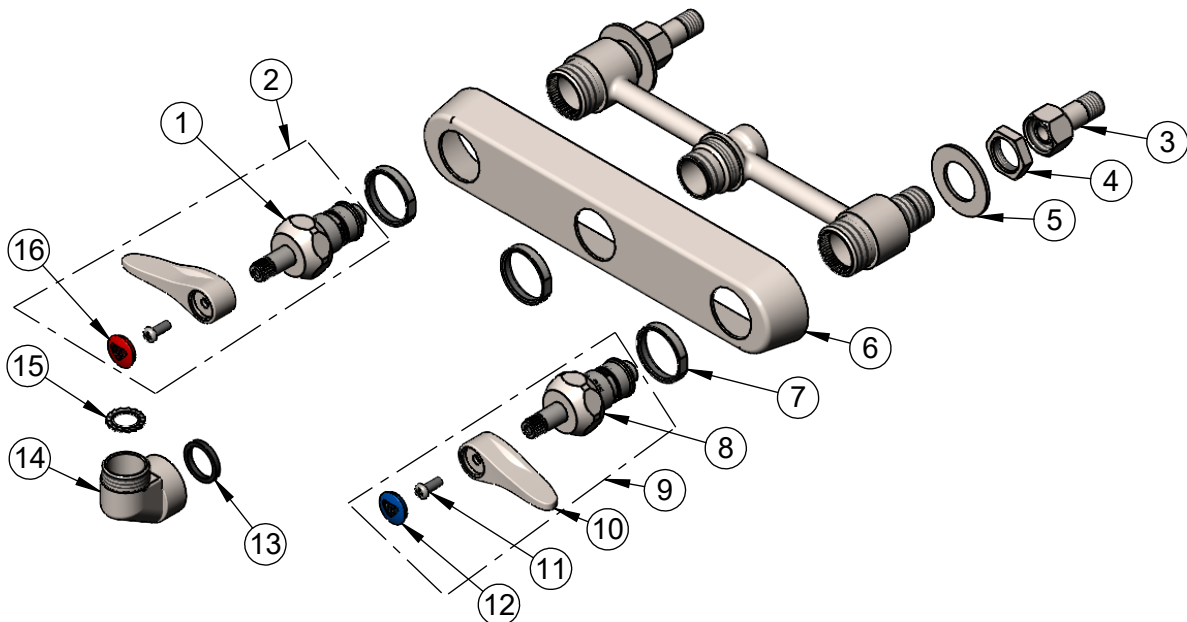
Model No.

S-1125-CR-LN

Item No.

Travelers Rest, SC: 800-476-4103 • Simi Valley, CA: 800-423-0150 • Fax: 864-834-3518 • www.tsbrass.com

ITEM NO.	SALES NO.	DESCRIPTION
1	S012395-30NS	Stainless Steel Quarter-Turn Cerama Cartridge w/ Check Valve, LTC
2	S019640-30	Stainless Steel Quarter-Turn Cerama Cartridge w/ Check Valve, Handle, Red Index & Screw, LTC
3	S150A	1/4" NPT Stainless Steel Tailpiece & Nut
4	S002954-20	Stainless Steel Shank Lock Nut
5	S000999-20	Stainless Steel Lock Washer
6	S019375-30	S-1120 Eterna Workboard Escutcheon
7	S019376-30	SS Escutcheon Lock Nut
8	S012394-30NS	Stainless Steel Quarter-Turn Cerama Cartridge w/ Check Valve, RTC
9	S019641-30	Stainless Steel Quarter-Turn Cerama Cartridge w/ Check Valve, Handle, Blue Index & Screw, RTC
10	S001638-30NS	Stainless Steel Lever Handle (New Style)
11	000925-45	Lab Handle Screw
12	018506-19NS	Blue Button Index, Press-in
13	001040-45	Washer, 3/4 ID x 15/16 OD x 1/8 thick
14	S000082-30	Stainless Steel Knob
15	014200-45	Star Washer, Anti-Rotation
16	001193-19NS	Red Button Index, Press-in



Product Specifications:

8" Stainless Steel Wall Mount Workboard Faucet Less Nozzle, Stainless Steel Quarter-Turn Cerama Cartridges w/ Check Valves, Stainless Steel Lever Handles & 1/2" NPT Stainless Steel Male Inlets

Product Compliance:

ASME A112.18.1 / CSA B125.1
NSF 61 - Section 9
NSF 372 (Low Lead Content)
ANSI A117.1 (ADA)