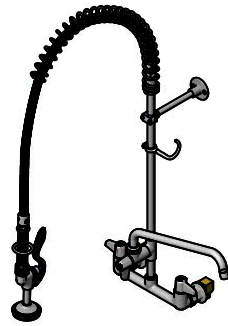
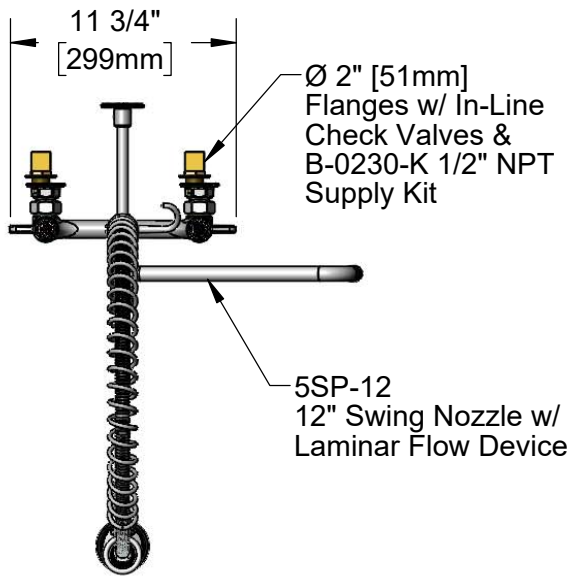
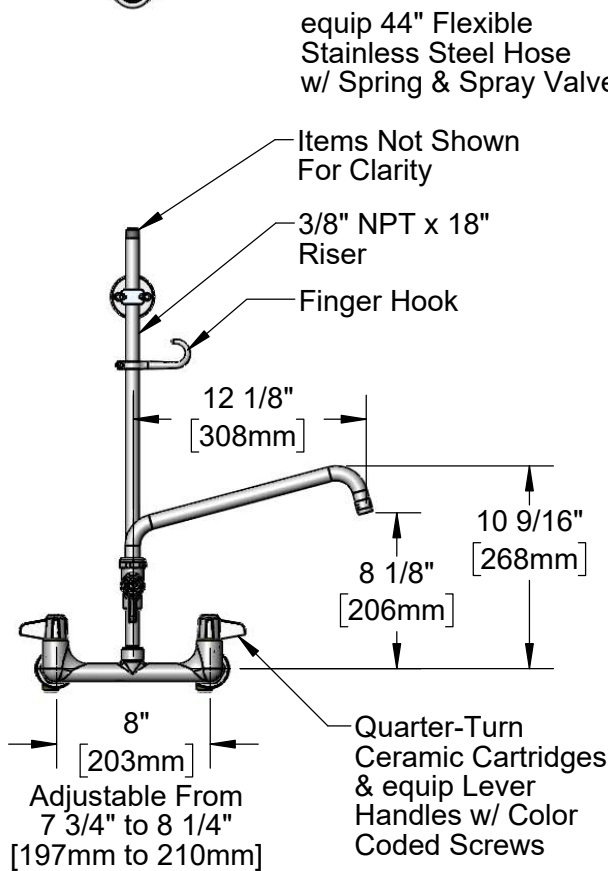


*This Space for Architect/Engineer Approval*

Job Name \_\_\_\_\_ Date \_\_\_\_\_  
 Model Specified \_\_\_\_\_ Quantity \_\_\_\_\_  
 Customer/Wholesaler \_\_\_\_\_  
 Contractor \_\_\_\_\_  
 Architect/Engineer \_\_\_\_\_



5SP-12  
 12" Swing Nozzle w/  
 Laminar Flow Device



equip 44" Flexible  
 Stainless Steel Hose  
 w/ Spring & Spray Valve

Items Not Shown  
 For Clarity

3/8" NPT x 18"  
 Riser

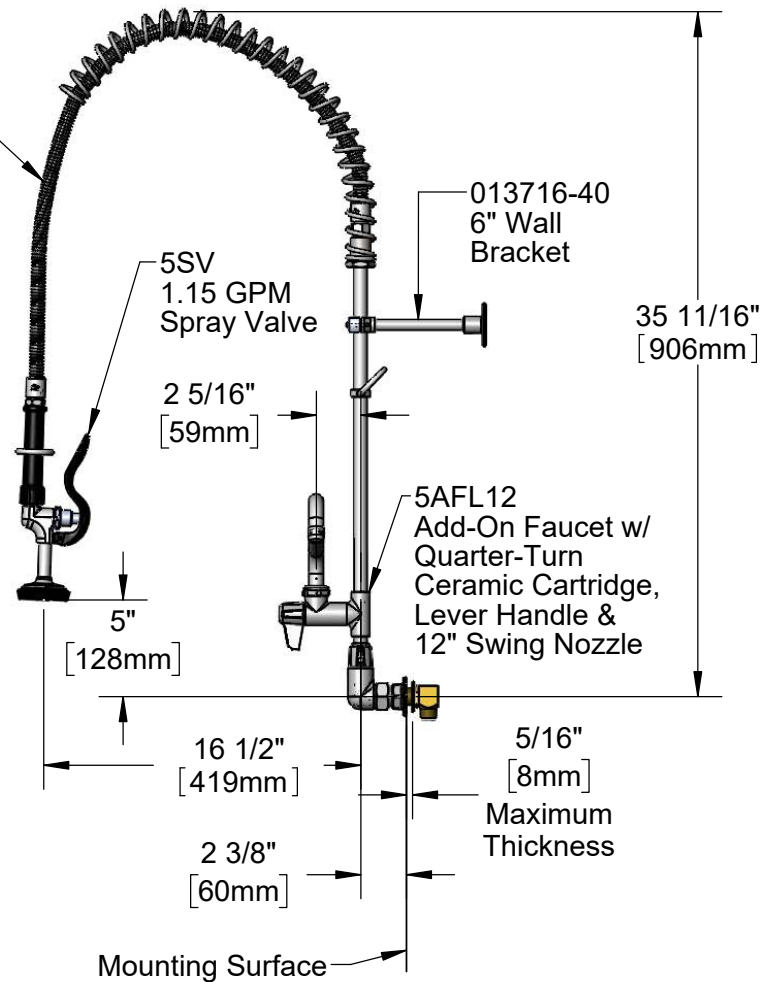
Finger Hook

12 1/8"  
 [308mm]

10 9/16"  
 [268mm]

Quarter-Turn  
 Ceramic Cartridges  
 & equip Lever  
 Handles w/ Color  
 Coded Screws

8"  
 [203mm]  
 Adjustable From  
 7 3/4" to 8 1/4"  
 [197mm to 210mm]



013716-40  
 6" Wall  
 Bracket

5SV  
 1.15 GPM  
 Spray Valve

2 5/16"  
 [59mm]

5"  
 [128mm]

16 1/2"  
 [419mm]

2 3/8"  
 [60mm]

5AFL12  
 Add-On Faucet w/  
 Quarter-Turn  
 Ceramic Cartridge,  
 Lever Handle &  
 12" Swing Nozzle

35 11/16"  
 [906mm]

5/16"  
 [8mm]  
 Maximum  
 Thickness

Mounting Surface

Model Number

**5PR-8WLS12**

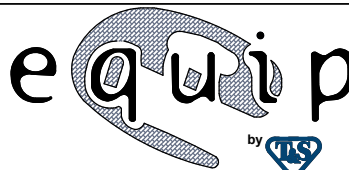
Product Specifications:

Pre-Rinse Unit: 8" Wall Mount Mixing Faucet w/ Ceramic Cartridges, Add-On Faucet w/ 12" Swing Nozzle, 1.15 GPM Spray Valve, 6" Wall Bracket, In-Line Check Valves & B-0230-K Supply Kit w/ 1/2" NPT Male Inlets

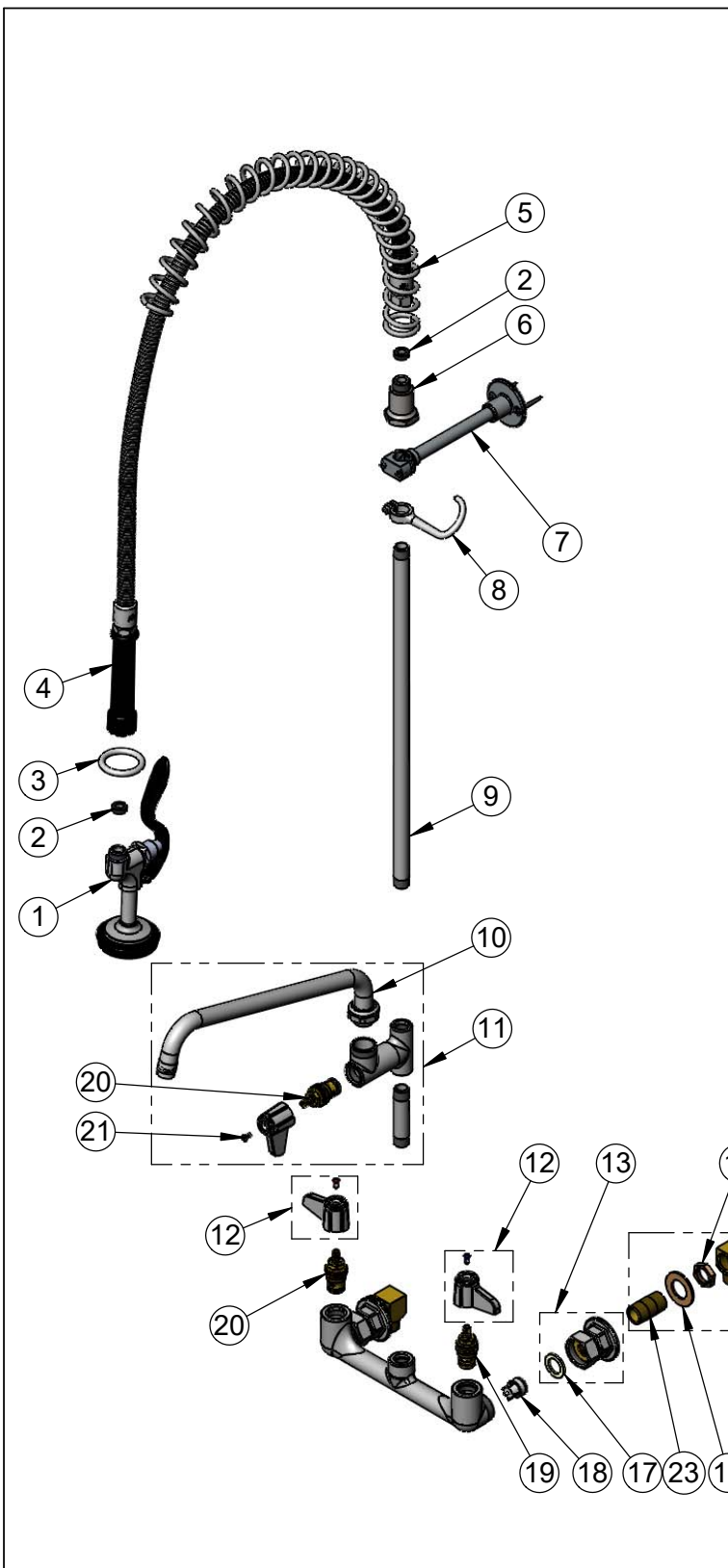
Product Compliance:

ASME A112.18.1 / CSA B125.1  
 NSF 61 - Section 9  
 NSF 372 (Low Lead Content)  
 2019 DOE PRSV - Class II

equip  
 Foodservice  
 Accessories



2 Saddleback Cove, P.O. Box 1088  
 Travelers Rest, South Carolina 29690  
 Phone: 800.891.4808 Fax: 800.868.0084  
 equip.tsbrass.com



ITEM NO.	SALES NO.	DESCRIPTION
1	5SV	equip 1.15 GPM Spray Valve
2	010476-45	#27 Washer
3	000907-45	Spray Valve Hold Down Ring
4	5HSE44	44" Flexible Stainless Steel Hose w/ Washer
5	014068-45	Overhead Spring
6	000821-40	Spring Body
7	013716-40	6" Wall Bracket
8	004R	Finger Hook
9	000369-40	3/8" NPT x 18" Riser
10	5SP-12	equip 12" Swing Nozzle
11	5AFL12	Add-On Faucet w/ 12" Swing Nozzle
12	5-HDL-L	equip Lever Handle w/ Color Coded Screws
13	00AA	1/2" NPT Female Inlet Flange
14	002954-45	Shank Lock Nut
15	B-0230-K	Supply Kit w/ 1/2" NPT Male Inlet
16	000999-45	Brass Lock Washer
17	001019-45	Coupling Nut Washer
18	013840-45	20mm Check Valve (2)
19	013788-45	equip Quarter-Turn Ceramic Cartridge, LTC
20	013787-45	equip Quarter-Turn Ceramic Cartridge, RTC
21	013849-45	Handle Screw (10)
22	B-1100-K	1/2" NPT Male Inlet Elbow
23	013357-20	1/2" NPT x 1-5/8" Lg. Close Nipple

Model Number  
**5PR-8WLS12**

Product Compliance:  
ASME A112.18.1 / CSA B125.1  
NSF 61 - Section 9  
NSF 372 (Low Lead Content)  
2019 DOE PRSV - Class II

Product Specifications:  
Pre-Rinse Unit: 8" Wall Mount Mixing Faucet w/ Ceramic Cartridges, Add-On Faucet w/ 12" Swing Nozzle, 1.15 GPM Spray Valve, 6" Wall Bracket, In-Line Check Valves & B-0230-K Supply Kit w/ 1/2" NPT Male Inlets

equip  
Foodservice  
Accessories



2 Saddleback Cove, P.O. Box 1088  
Travelers Rest, South Carolina 29690  
Phone: 800.891.4808 Fax: 800.868.0084  
equip.tsbrass.com