

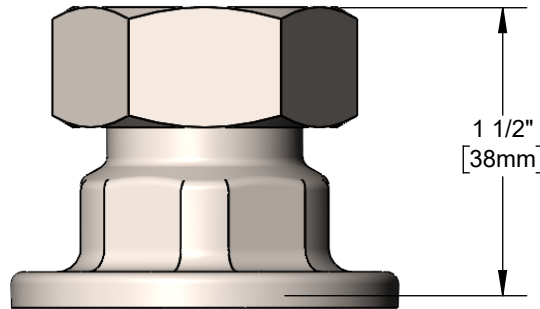
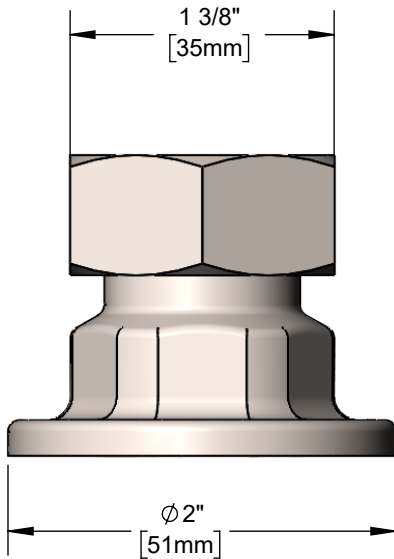
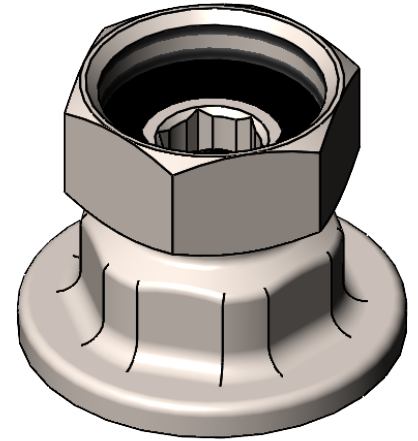


G1/2 (BSPP) Female Eccentric Flange

Architect/Engineering Specifications:

G1/2 (BSPP) female eccentric stainless steel flange. Certified to NSF 61-Section 9 and NSF 372.

Job Name _____
 Model Specified _____ Quantity _____
 Variations Specified _____
 Date _____



Features & Benefits:

- G1/2 (BSPP) female eccentric flange
- Washer (included)
- Material: Stainless Steel

Product Compliance:

- NSF 61 - Section 9
- NSF 372 (Low Lead Content)



Warranty: One Year (Limited)

Performance Data:

- N/A

