



T&S BRASS AND BRONZE WORKS, INC.
 2 Saddleback Cove / P.O. Box 1088
 Travelers Rest, SC 29690

Model No.
S-2785-LN

Item No.

Travelers Rest, SC: 800-476-4103 • Simi Valley, CA: 800-423-0150 • Fax: 864-834-3518 • www.tsbrass.com

This Space for Architect/Engineer Approval

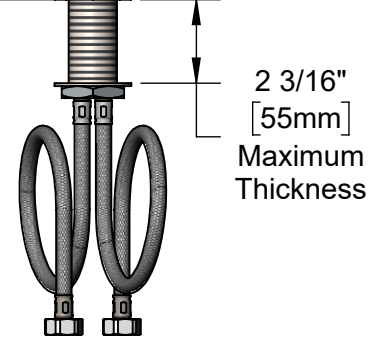
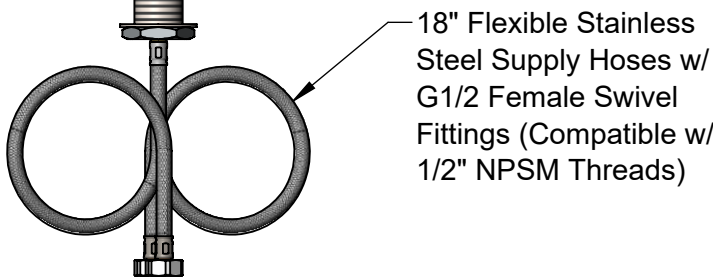
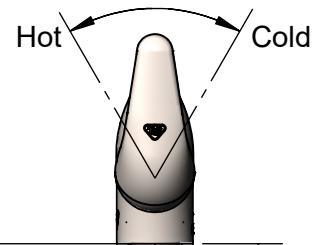
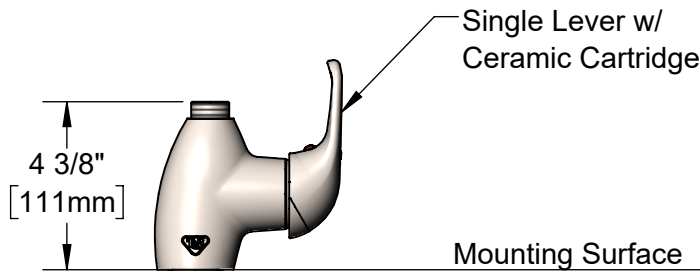
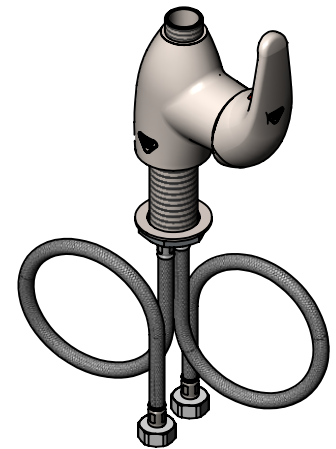
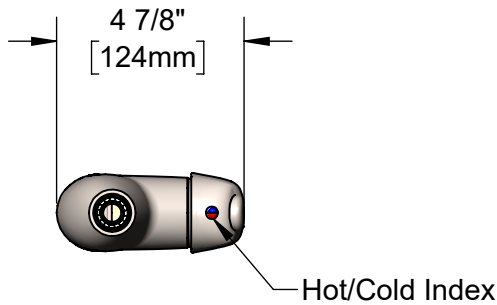
Job Name _____ Date _____

Model Specified _____ Quantity _____

Customer/Wholesaler _____

Contractor _____

Architect/Engineer _____



Rough-in Requirement:
 ϕ 1 1/2" [38mm] Mounting Hole

Product Specifications:
 Single Hole Deck Mount Single Lever Faucet, Ceramic Cartridge, Temperature Limit Stop & Flexible Stainless Steel Supply Hoses

Product Compliance:
 ASME A112.18.1 / CSA B125.1
 NSF 61 - Section 9
 NSF 372 (Low Lead Content)
 ANSI A117.1 (ADA)



T&S BRASS AND BRONZE WORKS, INC.

2 Saddleback Cove / P.O. Box 1088
Travelers Rest, SC 29690

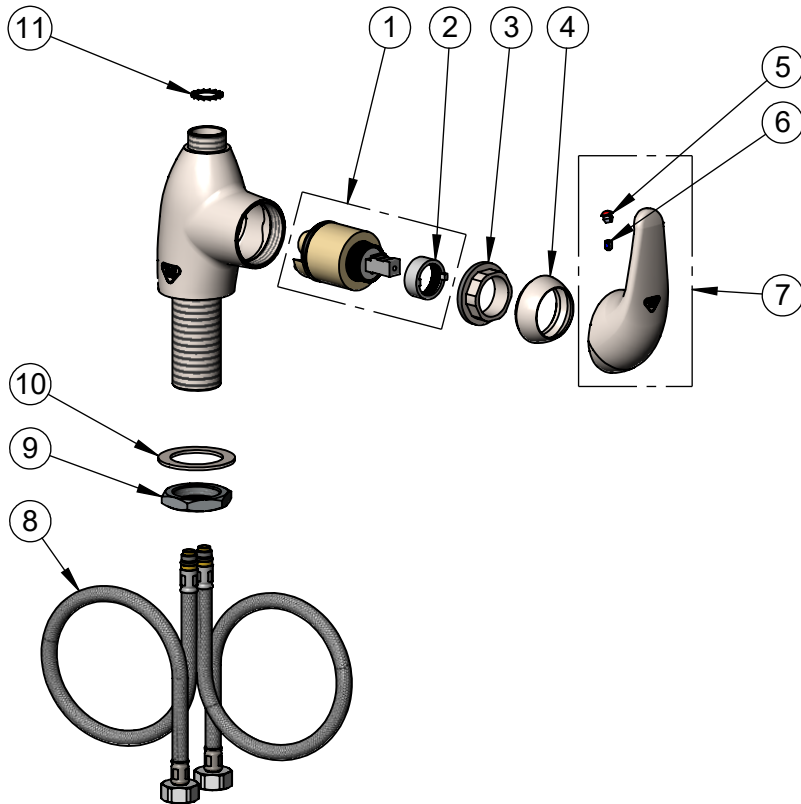
Model No.

S-2785-LN

Item No.

Travelers Rest, SC: 800-476-4103 • Simi Valley, CA: 800-423-0150 • Fax: 864-834-3518 • www.tsbrass.com

ITEM NO.	SALES NO.	DESCRIPTION
1	013111-45	Ceramic Cartridge w/ Temperature Limit Stop
2	015400-45	Temperature Limit Stop
3	S021022-20	Locking Nut, Stainless Steel
4	S021021-30	Trim Ring, Stainless Steel
5	014173-45	Index, Temperature
6	016675-45	Set Screw
7	S021020-30	Single Lever Handle, Stainless Steel
8	012436-45DR	Flexible Connector Hose
9	S020655-20	Lock Nut
10	S020656-20	Washer, Stainless Steel
11	014200-45	Star Washer, Anti-Rotation



Product Specifications:

Single Hole Deck Mount Single Lever Faucet, Ceramic Cartridge, Temperature Limit Stop & Flexible Stainless Steel Supply Hoses

Product Compliance:

ASME A112.18.1 / CSA B125.1
NSF 61 - Section 9
NSF 372 (Low Lead Content)
ANSI A117.1 (ADA)