



ADA Compliant

This Space for Architect/Engineer Approval

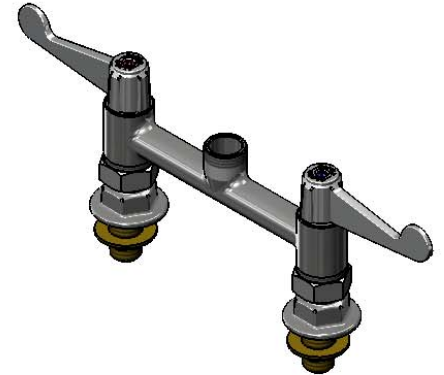
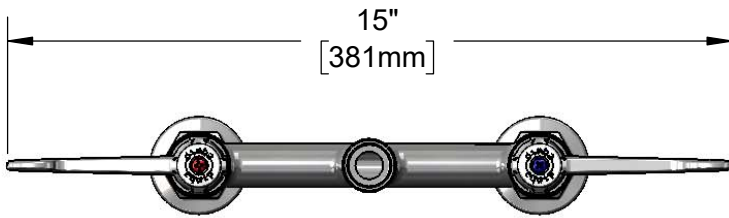
Job Name _____ Date _____

Model Specified _____ Quantity _____

Customer/Wholesaler _____

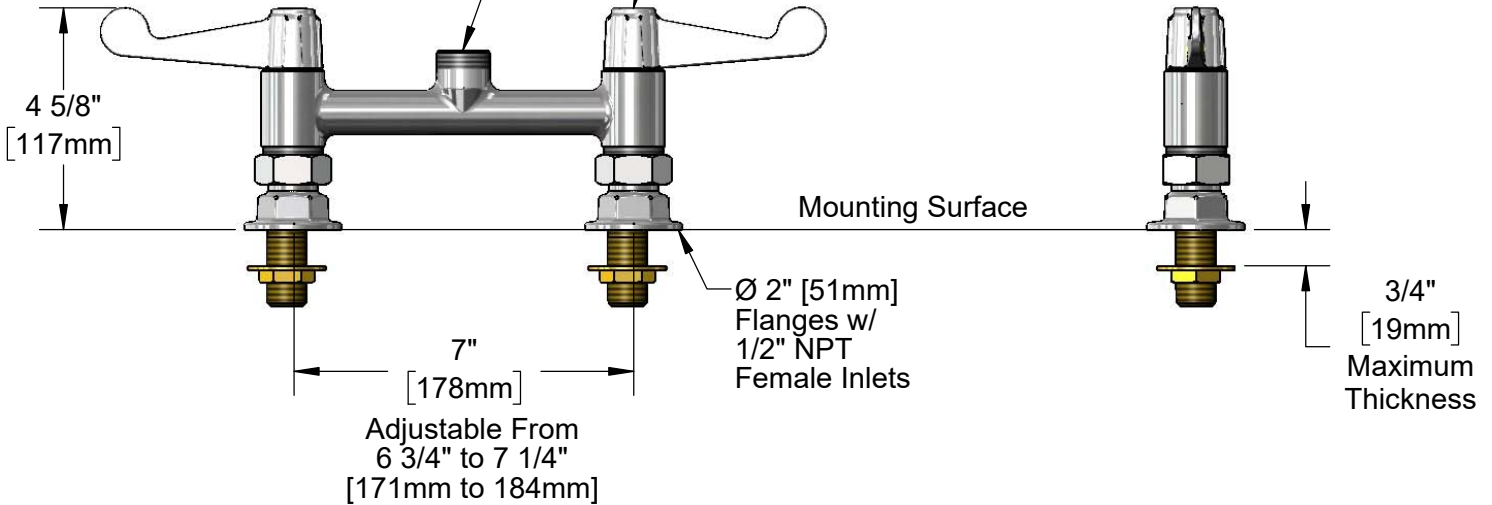
Contractor _____

Architect/Engineer _____



Swivel Outlet Accepts equip Swing Nozzle.
Rigid Conversion Requires 014200-45 Lock Washer (Sold Separately)

Quarter-Turn Ceramic Cartridges & equip 4" Wrist Action Handles w/ Color Coded Screws



Rough-In Requirement:
(2) Ø 1" [25mm] Mounting Holes

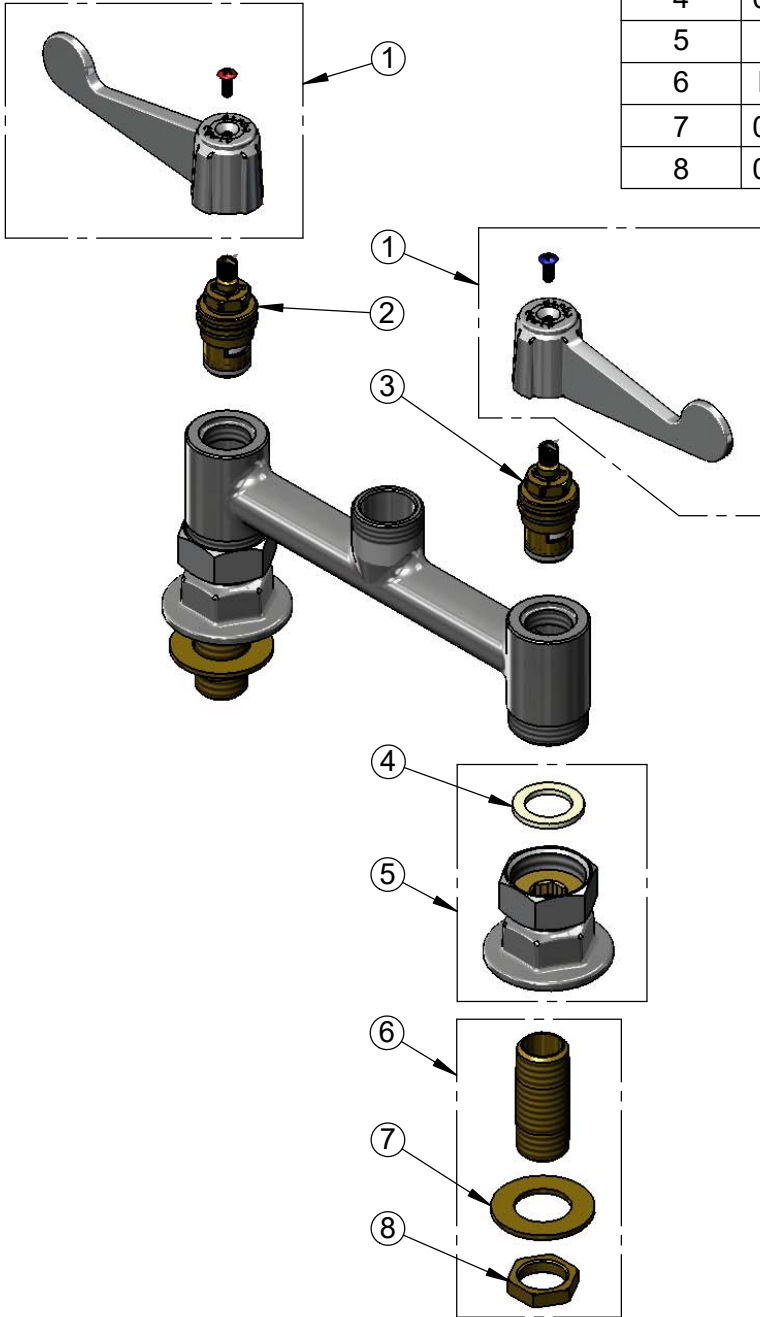
Model Number
5F-7DWS00

Product Specifications:
7" Deck Mount Mixing Faucet, Less Nozzle, Quarter-Turn Ceramic Cartridges, equip 4" Wrist Action Handles & 1/2" NPT Supply Nipple Kit

Product Compliance:
ASME A112.18.1 / CSA B125.1
NSF 61 - Section 9
NSF 372 (Low Lead Content)
ANSI A117.1 (ADA)

equip Foodservice Accessories  2 Saddleback Cove, P.O. Box 1088
Travelers Rest, South Carolina 29690
Phone: 800.891.4808 Fax: 800.868.0084
equip.tsbrass.com

ITEM NO.	SALES NO.	DESCRIPTION
1	5-HDL-W	equip 4" Wrist Action Handle w/ Color Coded Screws
2	013787-45	equip Quarter-Turn Ceramic Cartridge, RTC
3	013788-45	equip Quarter-Turn Ceramic Cartridge, LTC
4	001019-45	Coupling Nut Washer
5	00AA	1/2" NPT Female Eccentric Flange
6	B-0425-M	1/2" NPT Supply Nipple Kit (2)
7	000999-45	Brass Lock Washer
8	002954-45	Shank Lock Nut



Model Number

5F-7DWS00

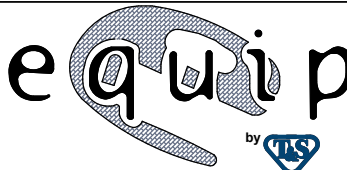
Product Specifications:

7" Deck Mount Mixing Faucet, Less Nozzle, Quarter-Turn Ceramic Cartridges, equip 4" Wrist Action Handles & 1/2" NPT Supply Nipple Kit

Product Compliance:

ASME A112.18.1 / CSA B125.1
NSF 61 - Section 9
NSF 372 (Low Lead Content)
ANSI A117.1 (ADA)

equip
Foodservice
Accessories



2 Saddleback Cove, P.O. Box 1088
Travelers Rest, South Carolina 29690
Phone: 800.891.4808 Fax: 800.868.0084
equip.tsbrass.com