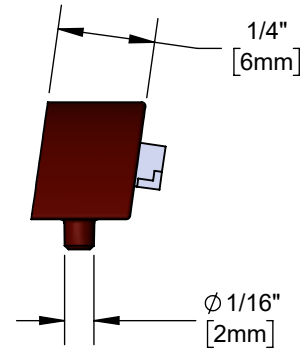
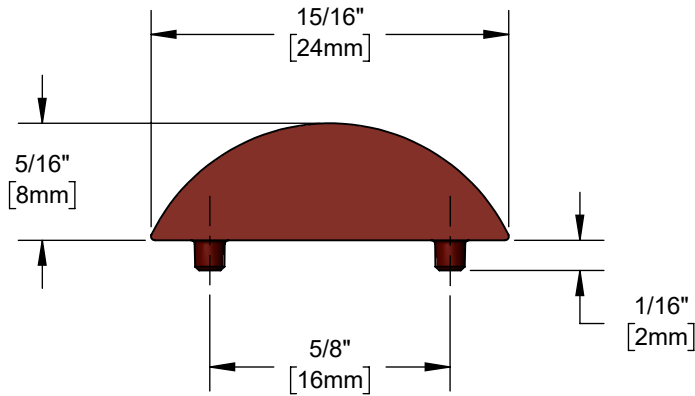
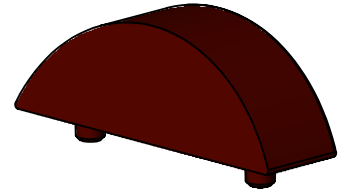




Architect/Engineering Specifications:

Hidden sensor assembly for gooseneck spout. Includes M3 x 0.5 set screw and L-key

Job Name _____
 Model Specified _____ Quantity _____
 Variations Specified _____
 Date _____



Features & Benefits:

- Hidden sensor assembly for gooseneck spout
- Includes M3 x 0.5 set screw and L-key
- Material: Plastic sensor lens

Product Compliance:

- N/A

Warranty: Three Year (Limited)

Performance Data:

- N/A

