



**T&S BRASS AND BRONZE WORKS, INC.**  
 2 Saddleback Cove / P.O. Box 1088  
 Travelers Rest, SC 29690

Model No.  
**B-3945-BSP**

Item No.

Travelers Rest, SC: 800-476-4103 • Simi Valley, CA: 800-423-0150 • Fax: 864-834-3518 • www.tsbrass.com

This Space for Architect/Engineer Approval

Job Name \_\_\_\_\_ Date \_\_\_\_\_

Model Specified \_\_\_\_\_ Quantity \_\_\_\_\_

Customer/Wholesaler \_\_\_\_\_

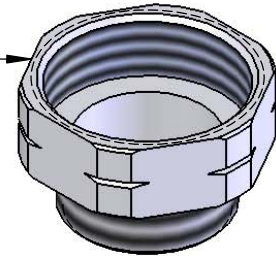
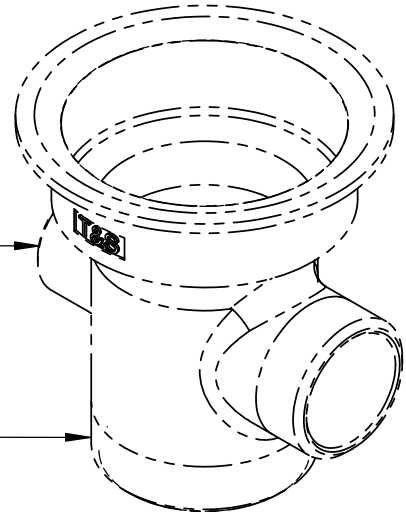
Contractor \_\_\_\_\_

Architect/Engineer \_\_\_\_\_

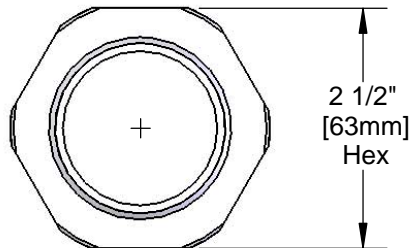
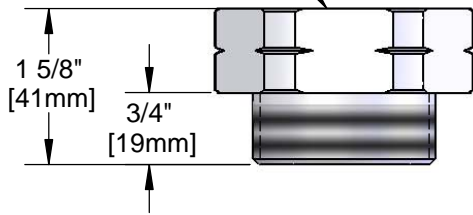
Waste Drain Sold Separately  
 (Shown only for Reference)

2" NPT Male Drain Outlet

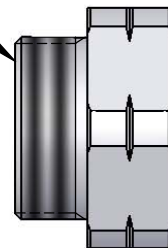
2" NPT Female x 1 1/2-11 BSP  
 (G 1-1/2 B) Male Adapter



2" NPT Female



1 1/2-11 BSP  
 (G 1-1/2 B) Male



Product Specifications:  
 Rotary Waste Valve Adapter, 2" NPT Female x 1 1/2-11 BSP (G 1-1/2 B)  
 Male Thread

Product Compliance: