

ADA Compliant

This Space for Architect/Engineer Approval

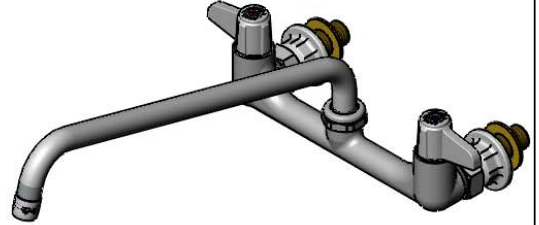
Job Name _____ Date _____

Model Specified _____ Quantity _____

Customer/Wholesaler _____

Contractor _____

Architect/Engineer _____



5SP-14
14" equip Swing Nozzle
w/ Laminar Full Flow Device.
Rigid Conversion Requires
014200-45 Lock Washer
(Sold Separately)

Ceramic Cartridges &
equip Lever Handles
w/ Color Coded Screws

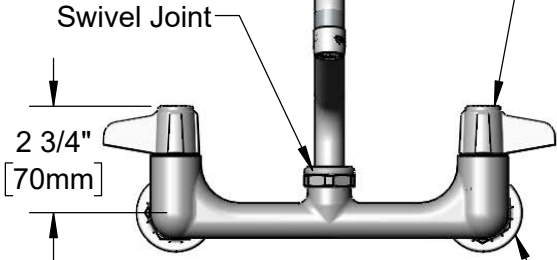
5/8"
[16mm]
Maximum
Thickness

16 1/2"
[420mm]

14 1/8"
[359mm]

6 1/2"
[166mm]

4 1/16"
[104mm]



Swivel Joint

2 3/4"
[70mm]

8"
[203mm]

Adjustable From
7 3/4" to 8 1/4"
[197mm to 210mm]

Ø 2" [51mm]
Flanges w/
1/2" NPT
Female Inlets

Mounting Surface

B-0425-M
1/2" NPT Supply
Nipple Kit (Included)

Rough-In Requirement:
(2) Ø 1" [25mm] Mounting Holes

Model Number

5F-8WLZ14

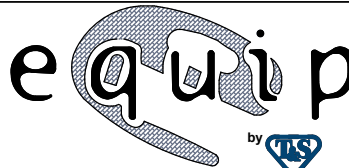
Product Specifications:

**8" Wall Mount Mixing Faucet, Ceramic Cartridges,
equip Lever Handles, 14" equip Swing Nozzle
& 1/2" NPT Male Supply Nipple Kit**

Product Compliance:

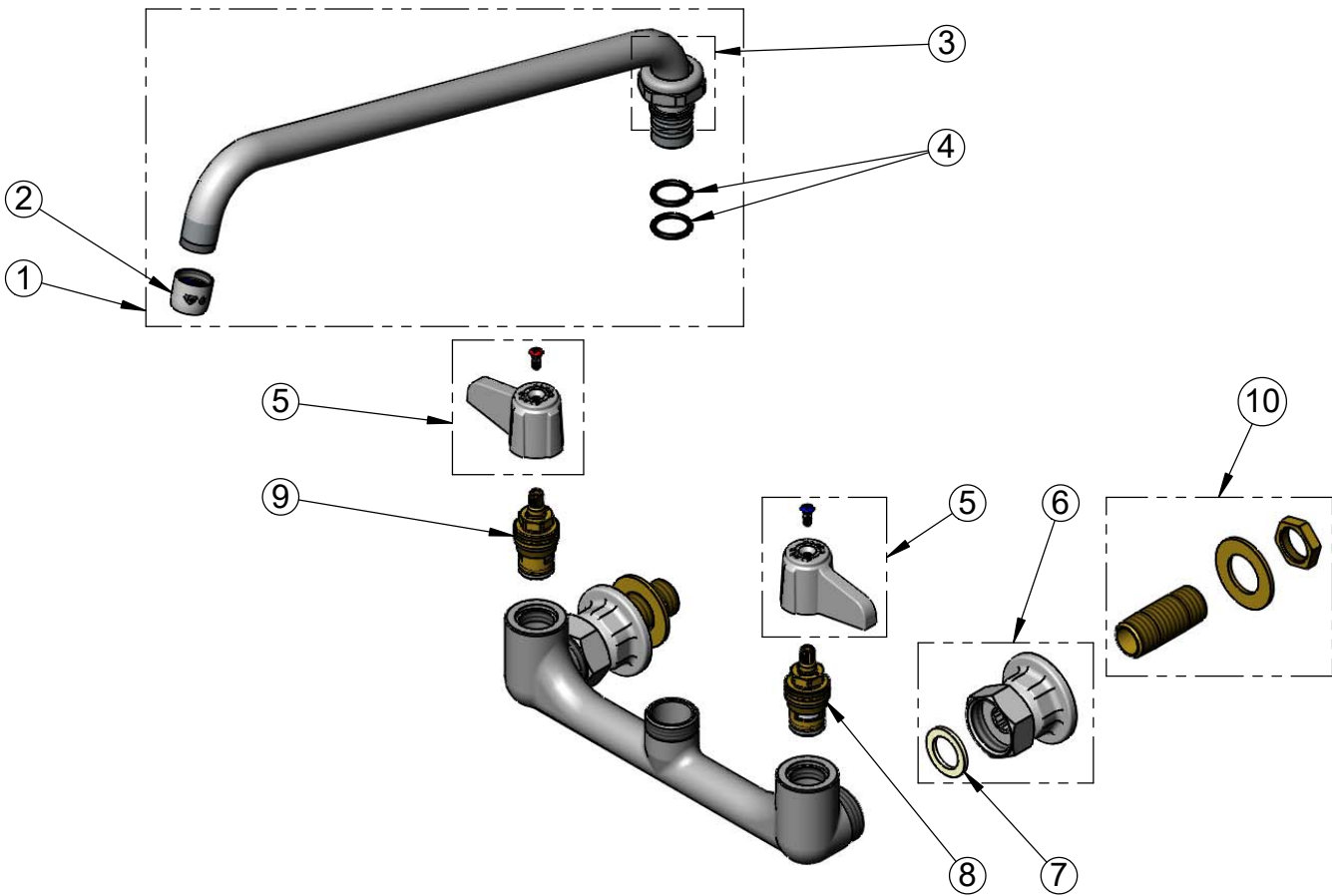
ASME A112.18.1 / CSA B125.1
NSF 61 - Section 9
NSF 372 (Low Lead Content)
ANSI A117.1 (ADA)

equip
Foodservice
Accessories



2 Saddleback Cove, P.O. Box 1088
Travelers Rest, South Carolina 29690
Phone: 800.891.4808 Fax: 800.868.0084
equip.tsbrass.com

| ITEM NO. | SALES NO. | DESCRIPTION |
|----------|-----------|--|
| 1 | 5SP-14 | 14" equip Swing Nozzle |
| 2 | 014250-45 | Laminar Full Flow Device |
| 3 | 013839-25 | equip Swivel Nut |
| 4 | 013848-45 | O-Ring |
| 5 | 5-HDL-L | equip Lever Handle w/ Color Coded Screws |
| 6 | 00AA | 1/2" NPT Female Eccentric Flange |
| 7 | 001019-45 | Coupling Nut Washer |
| 8 | 013788-45 | equip Ceramic Cartridge, LTC |
| 9 | 013787-45 | equip Ceramic Cartridge, RTC |
| 10 | B-0425-M | 1/2" NPT Supply Nipple Kit (2) |



Model Number
5F-8WLZ14

Product Compliance:
ASME A112.18.1 / CSA B125.1
NSF 61 - Section 9
NSF 372 (Low Lead Content)
ANSI A117.1 (ADA)

Product Specifications:
**8" Wall Mount Mixing Faucet, Ceramic Cartridges,
equip Lever Handles, 14" equip Swing Nozzle
& 1/2" NPT Male Supply Nipple Kit**

equip
Foodservice
Accessories



2 Saddleback Cove, P.O. Box 1088
Travelers Rest, South Carolina 29690
Phone: 800.891.4808 Fax: 800.868.0084
equip.tsbrass.com