



T&S BRASS AND BRONZE WORKS, INC.
 2 Saddleback Cove / P.O. Box 1088
 Travelers Rest, SC 29690

Model No.
B-1411

Item No.

Travelers Rest, SC: 800-476-4103 • Simi Valley, CA: 800-423-0150 • Fax: 864-834-3518 • www.tsbrass.com

This Space for Architect/Engineer Approval

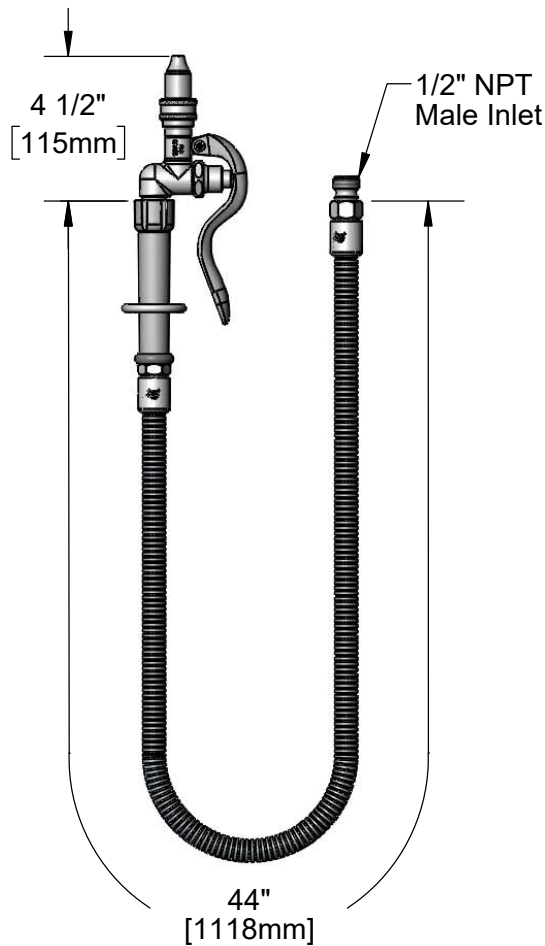
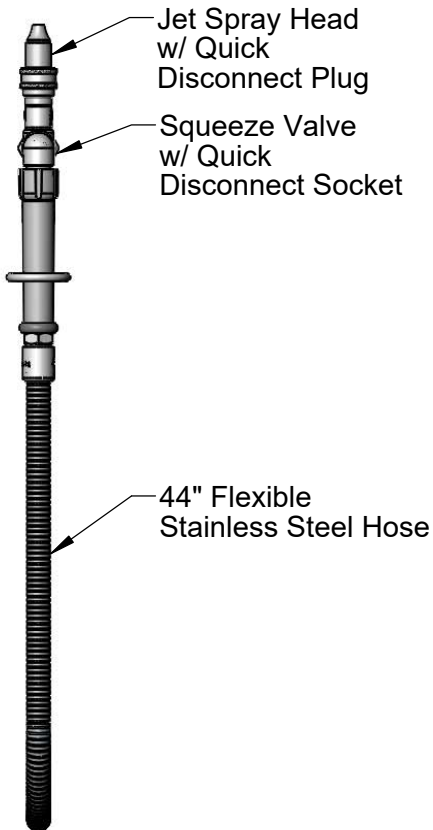
Job Name _____ Date _____

Model Specified _____ Quantity _____

Customer/Wholesaler _____

Contractor _____

Architect/Engineer _____



Product Specifications:

44" Flexible Stainless Steel Hose w/ Automatic Shut-Off Squeeze Valve, Jet Spray Head, 2 Piece Quick Disconnect & 1/2" NPT Male Inlet

Product Compliance:

ASME A112.18.1 / CSA B125.1
 NSF 61 - Section 9
 NSF 372 (Low Lead Content)
 2019 DOE PRSV Non-Compliant

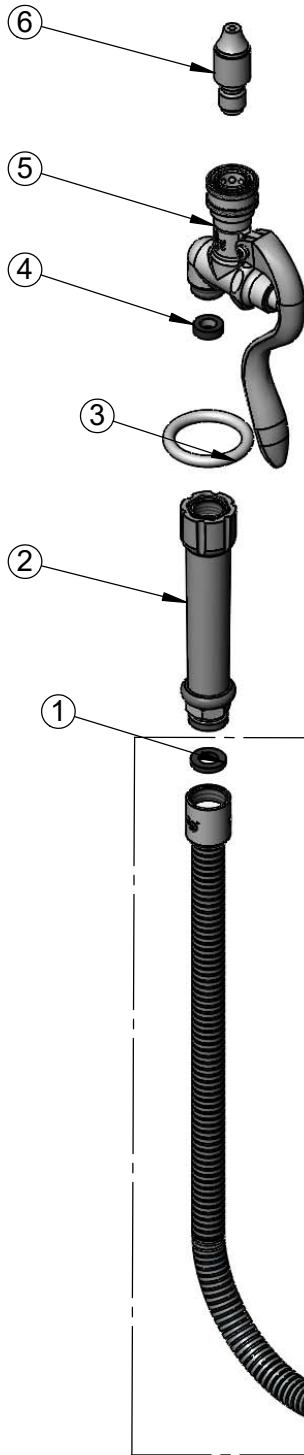


T&S BRASS AND BRONZE WORKS, INC.
 2 Saddleback Cove / P.O. Box 1088
 Travelers Rest, SC 29690

Model No.
B-1411

Item No.

Travelers Rest, SC: 800-476-4103 • Simi Valley, CA: 800-423-0150 • Fax: 864-834-3518 • www.tsbrass.com



| ITEM NO. | SALES NO. | DESCRIPTION |
|----------|------------|--|
| 1 | 001014-45 | Washer, B-0100 Hose Barrel |
| 2 | 002987-40 | Grip Handle |
| 3 | 000907-45 | Spray Valve Hold Down Ring |
| 4 | 010476-45 | #27 Washer |
| 5 | B-1420 | Squeeze Valve w/ Quick Disconnect Socket |
| 6 | B-1422 | Straight Nozzle Jet |
| 7 | 055A | Adapter, 1/2 NPT Male |
| 8 | 000729-40 | Nut, 7/8-20 Male x 3/4-14 Female |
| 9 | B-0044-H2A | 44" Flexible Stainless Steel Hose, Less Handle |

Product Specifications:

44" Flexible Stainless Steel Hose w/ Automatic Shut-Off Squeeze Valve, Jet Spray Head, 2 Piece Quick Disconnect & 1/2" NPT Male Inlet

Product Compliance:

ASME A112.18.1 / CSA B125.1
 NSF 61 - Section 9
 NSF 372 (Low Lead Content)
 2019 DOE PRSV Non-Compliant