



T&S BRASS AND BRONZE WORKS, INC.

2 Saddleback Cove / P.O. Box 1088
Travelers Rest, SC 29690

Model No.

B-2859

Item No.

Travelers Rest, SC: 800-476-4103 • Simi Valley, CA: 800-423-0150 • Fax: 864-834-3518 • www.tsbrass.com

This Space for Architect/Engineer Approval

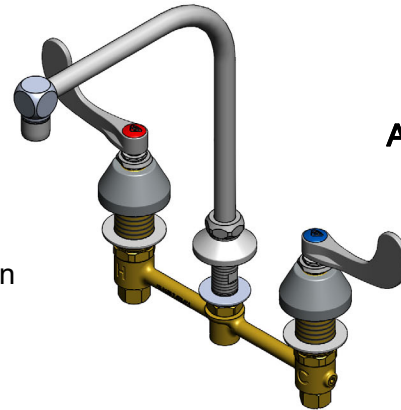
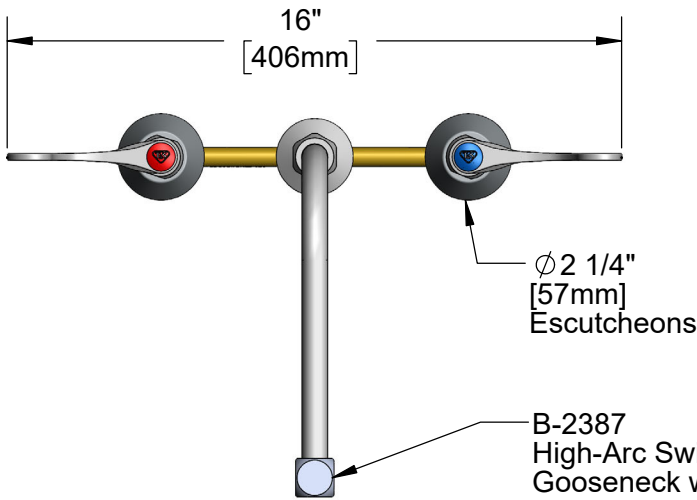
Job Name _____ Date _____

Model Specified _____ Quantity _____

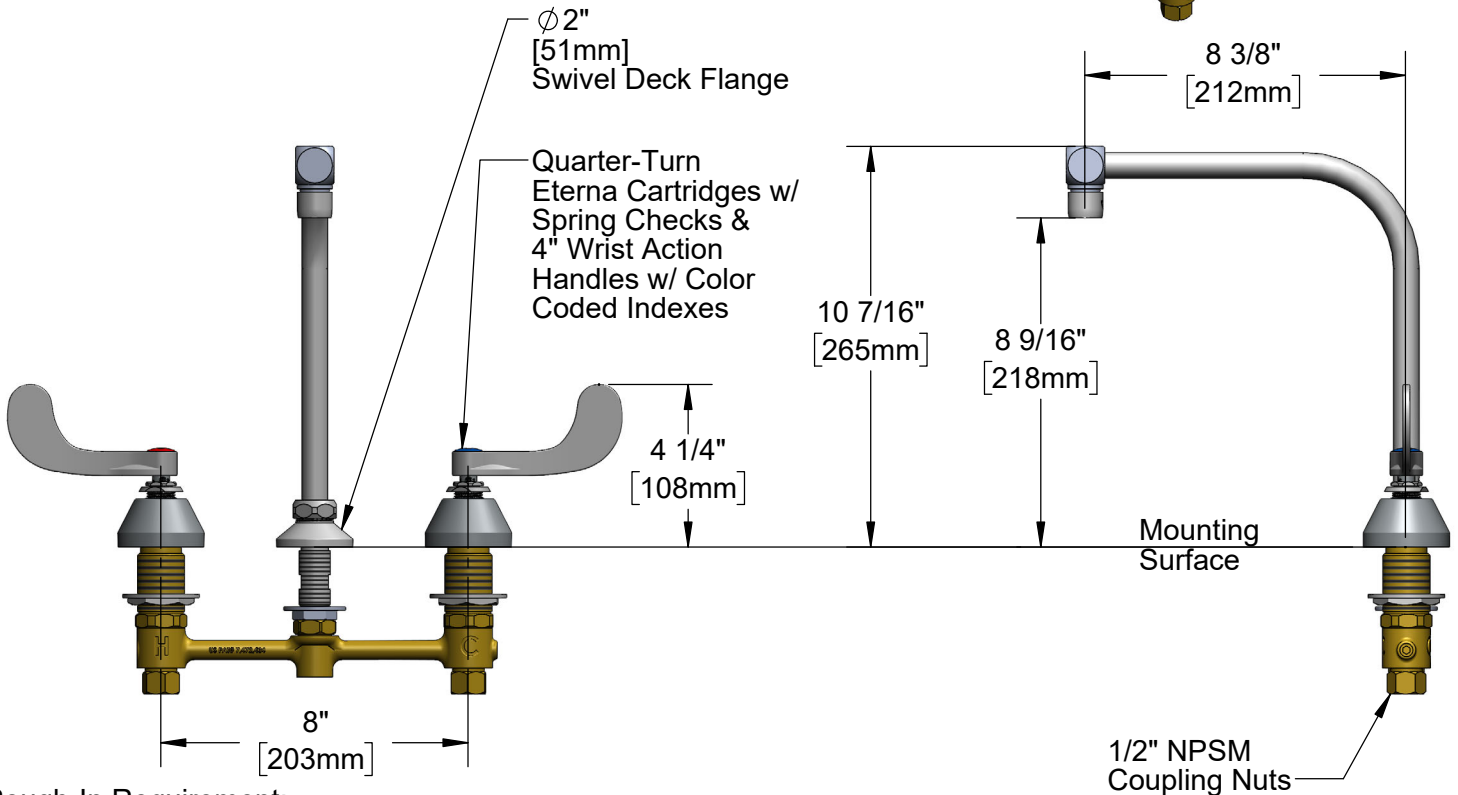
Customer/Wholesaler _____

Contractor _____

Architect/Engineer _____



ADA Compliant



Rough-In Requirement:
 $\phi 1$ " [25mm] for Center Shank
 $\phi 1 \frac{1}{2}$ " [38mm] for Hot/Cold Side

Product Specifications:
8" Concealed Widespread EasyInstall Mixing Faucet, 4" Wrist Action
Handles, Quarter-Turn Eterna Cartridges w/ Spring Checks, High-Arc
Swivel/Rigid Gooseneck w/ 2.2 GPM Aerator and 1/2" NPT Male Inlets

Product Compliance:
ASME A112.18.1 / CSA B125.1
NSF 61 - Section 9
NSF 372 (Low Lead Content)
ANSI A117.1 (ADA)



T&S BRASS AND BRONZE WORKS, INC.

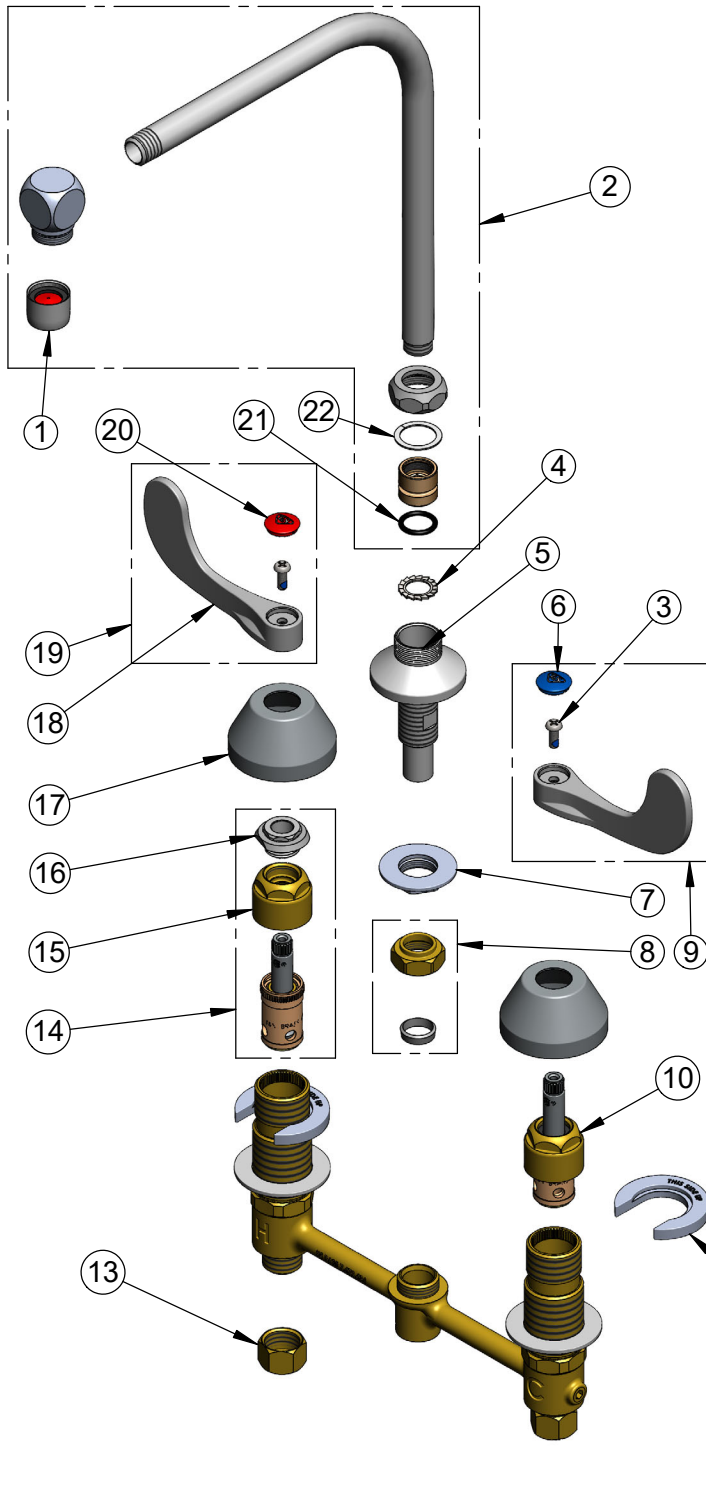
2 Saddleback Cove / P.O. Box 1088
Travelers Rest, SC 29690

Model No.

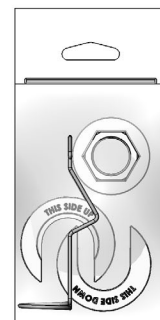
B-2859

Item No.

Travelers Rest, SC: 800-476-4103 • Simi Valley, CA: 800-423-0150 • Fax: 864-834-3518 • www.tsbrass.com



ITEM NO.	SALES NO.	DESCRIPTION
1	B-0199-01	2.2 GPM Aerator, 55/64-27 UN Female
2	B-2387	High-Arc Swivel/Rigid Gooseneck w/ 2.2 GPM Aerator
3	000925-45	Lab Handle Screw
4	014200-45	Star Washer, Anti-Rotation
5	016754-40	EasyInstall CWS Swivel Center Shank
6	018506-19NS	Blue Button Index, Press-in
7	016742-45	Center Flange Nut
8	016745-45	Compression Nut & Fitting
9	B-WH4C-NS	Wrist Action Handle, Blue Index & Screw
10	016752-40NS	EasyInstall, CWS Quarter-Turn Eterna Cartridge w/ Spring Check, LTC
11	016749-45	Sidebody C-Washer
12	016777-45	CWS Hanger
13	000958-20	Coupling Nut
14	016753-40NS	EasyInstall, CWS Quarter-Turn Eterna Cartridge w/ Spring Check, RTC
15	016743-20	EasyInstall, CWS Quarter-Turn Eterna Cartridge w/ Spring Check, RTC
16	009002-40NS	Packing Assembly (New Style)
17	001257-40NS	Bell Escutcheon
18	B-WH4-NS	Wrist Action Handle - New Style
19	B-WH4H-NS	Wrist Action Handle, Red Index & Screw
20	001193-19NS	Red Button Index, Press-in
21	001074-45	O-Ring
22	009538-45	Swivel Washer



017245-40
Installation Repair Kit
Includes #7, (2)#11, & #12

Product Specifications:

8" Concealed Widespread EasyInstall Mixing Faucet, 4" Wrist Action Handles, Quarter-Turn Eterna Cartridges w/ Spring Checks, High-Arc Swivel/Rigid Gooseneck w/ 2.2 GPM Aerator and 1/2" NPT Male Inlets

Product Compliance:

ASME A112.18.1 / CSA B125.1
NSF 61 - Section 9
NSF 372 (Low Lead Content)
ANSI A117.1 (ADA)