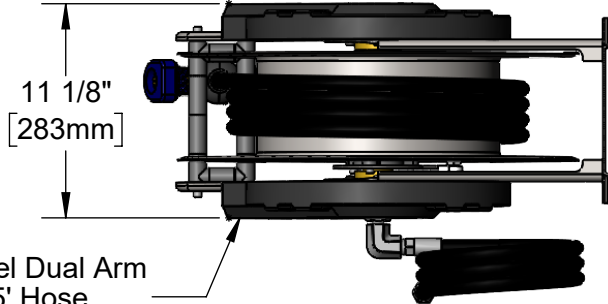
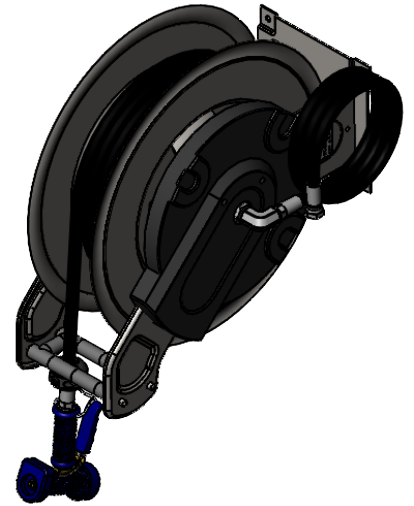
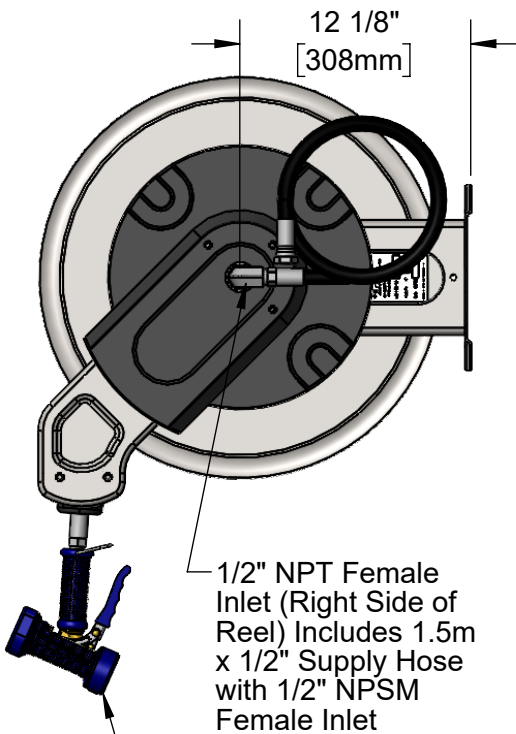


*This Space for Architect/Engineer Approval*

Job Name \_\_\_\_\_ Date \_\_\_\_\_  
 Model Specified \_\_\_\_\_ Quantity \_\_\_\_\_  
 Customer/Wholesaler \_\_\_\_\_  
 Contractor \_\_\_\_\_  
 Architect/Engineer \_\_\_\_\_

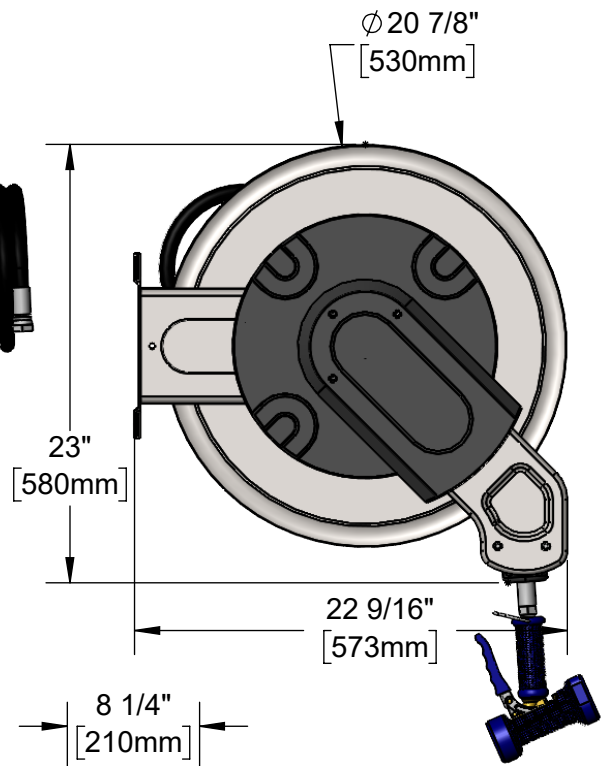
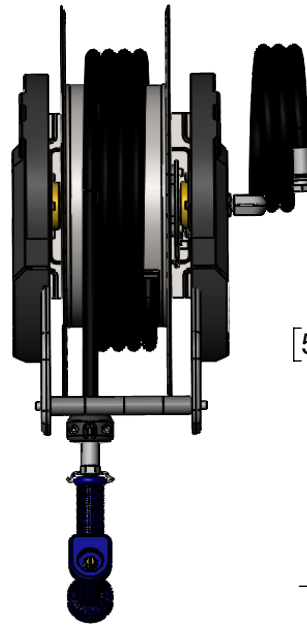


Stainless Steel Dual Arm  
w/  $\phi$  1/2" x 65' Hose



1/2" NPT Female Inlet (Right Side of Reel) Includes 1.5' x 1/2" Supply Hose with 1/2" NPSM Female Inlet

EMV-0522-24 High Flow Water Gun



$\phi$  7/16" [11mm]

Model Number

**5HR-351-12**

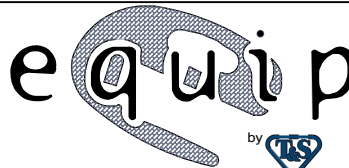
Product Specifications:

**Stainless Steel, Open, Dual Arm Hose Reel  
w/  $\phi$  1/2" x 65' Hose & High Flow Brass Spray Gun**

Product Compliance:

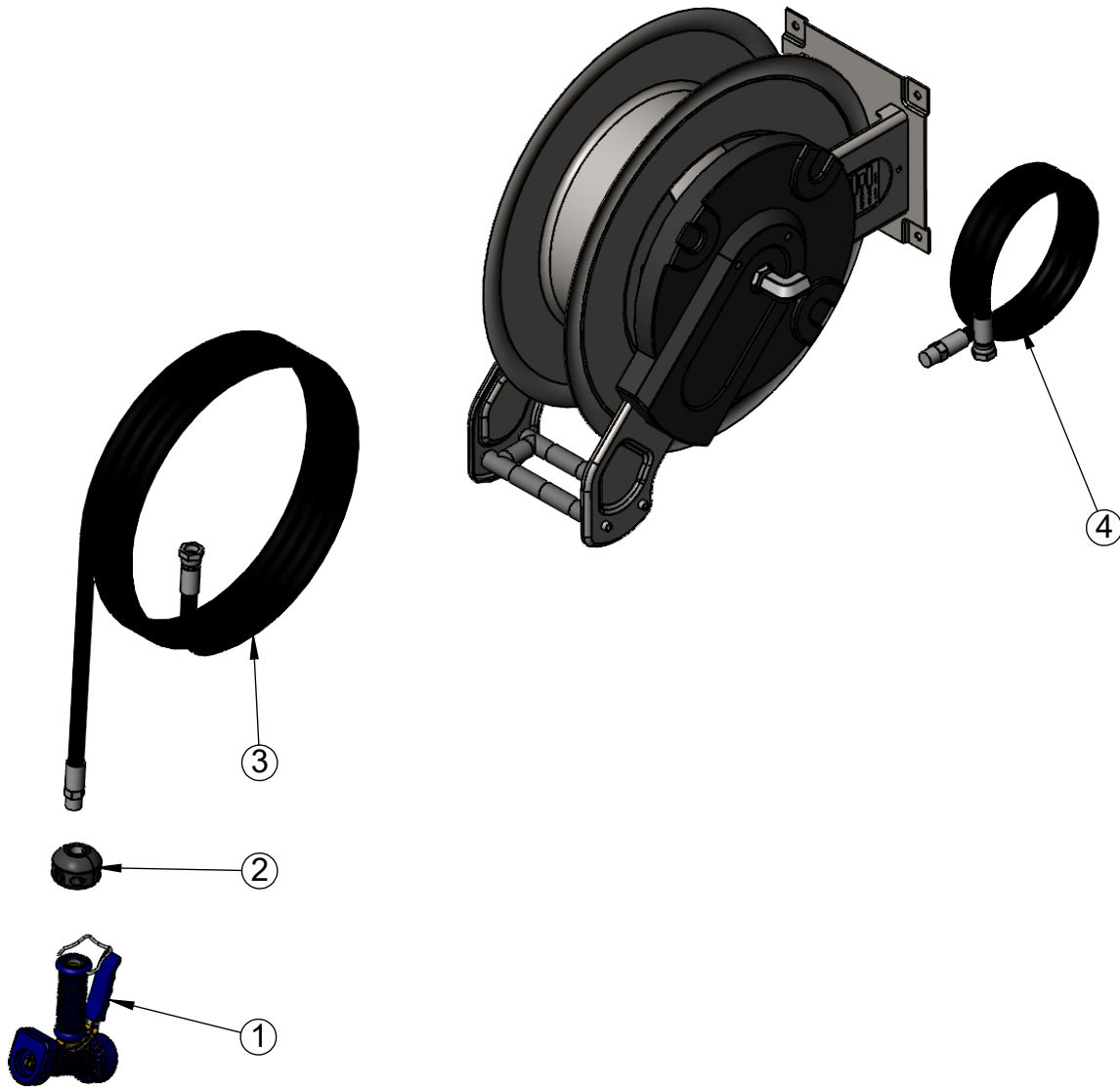
2019 DOE PRSV Non-Compliant  
NSF 61 Exempt (Non-Potable)

equip  
Foodservice  
Accessories



2 Saddleback Cove, P.O. Box 1088  
Travelers Rest, South Carolina 29690  
Phone: 800.891.4808 Fax: 800.868.0084  
equip.tsbrass.com

ITEM NO.	SALES NO.	DESCRIPTION
1	EMV-0522-24	Brass Front Trigger Water Gun, Ø 9mm Orifice
2	014950-45	Hose Stop Repair Kit
3	5HR-3HSE-65	Ø 1/2" x 65' Hose
4	021133-45	1.5m x 1/2" Supply Hose



Model Number

**5HR-351-12**

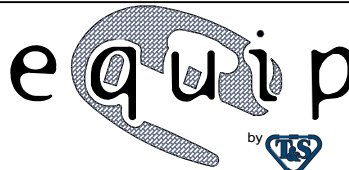
Product Specifications:

**Stainless Steel, Open, Dual Arm Hose Reel  
w/ Ø1/2" x 65' Hose & High Flow Brass Spray Gun**

Product Compliance:

2019 DOE PRSV Non-Compliant  
NSF 61 Exempt (Non-Potable)

equip  
Foodservice  
Accessories



2 Saddleback Cove, P.O. Box 1088  
Travelers Rest, South Carolina 29690  
Phone: 800.891.4808 Fax: 800.868.0084  
equip.tsbrass.com