



T&S BRASS AND BRONZE WORKS, INC.

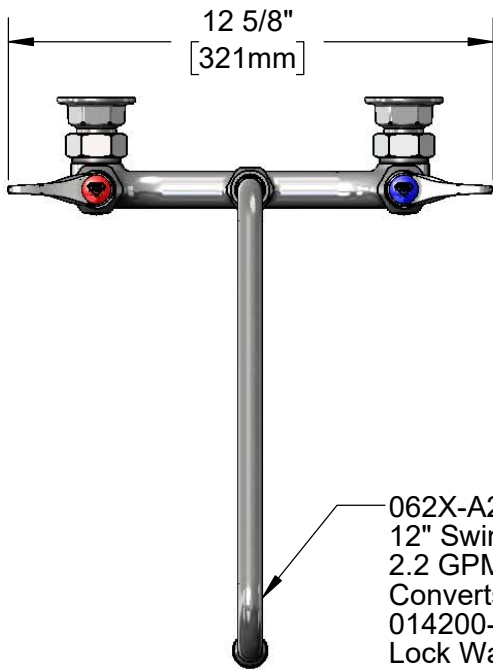
2 Saddleback Cove / P.O. Box 1088
Travelers Rest, SC 29690

Model No.

B-0231-A22-CVH

Item No.

Travelers Rest, SC: 800-476-4103 • Simi Valley, CA: 800-423-0150 • Fax: 864-834-3518 • www.tsbrass.com



This Space for Architect/Engineer Approval

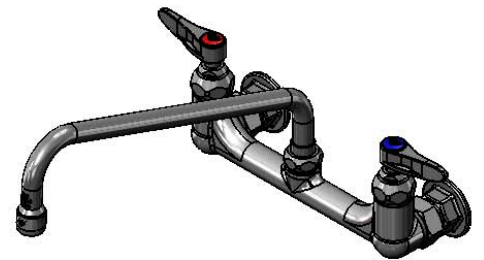
Job Name _____ Date _____

Model Specified _____ Quantity _____

Customer/Wholesaler _____

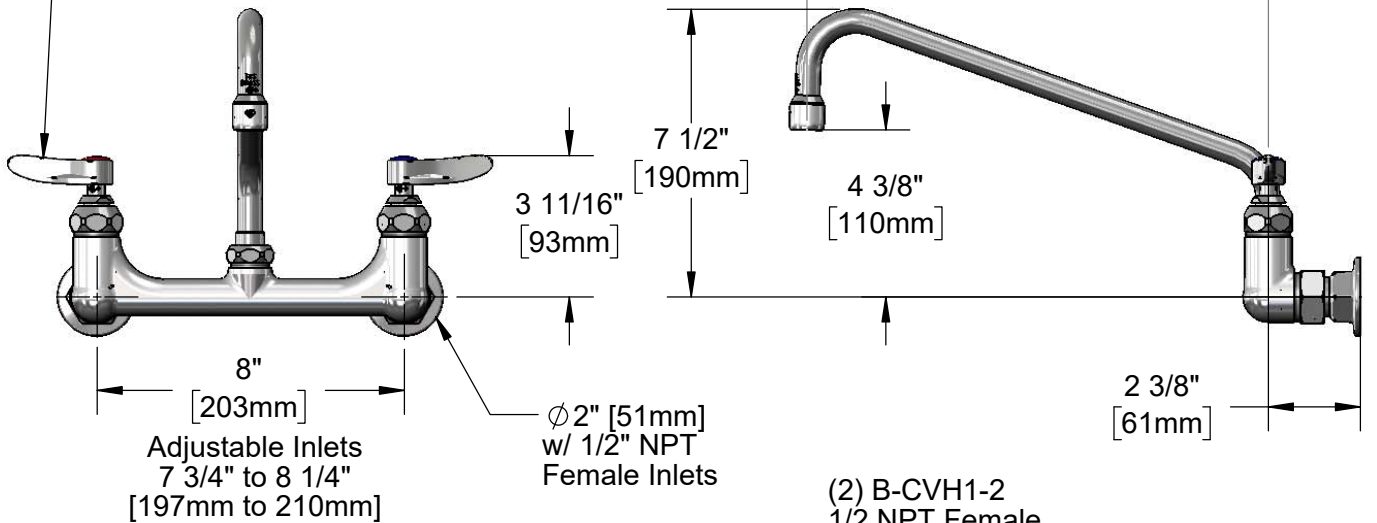
Contractor _____

Architect/Engineer _____



062X-A22
12" Swing Nozzle w/
2.2 GPM Aerator
Converts to Rigid w/
014200-45
Lock Washer (Included).

Quarter-Turn Eterna Cartridges
w/ Spring Checks &
Lever Handles w/ Colored
Coded Indexes



(2) B-CVH1-2
1/2 NPT Female
Check Valves
Included



Product Specifications:

8" Wall Mount Mixing Faucet, Quarter-Turn Eterna Cartridges w/ Spring Checks, Lever Handles, 12" Swing Nozzle w/ 2.2 GPM Aerator, 1/2" NPT Female Inlet Flanges & Check Valves

Product Compliance:

ASME A112.18.1 / CSA B125.1
NSF 61 - Section 9
NSF 372 (Low Lead Content)
ANSI A117.1 (ADA)



T&S BRASS AND BRONZE WORKS, INC.

2 Saddleback Cove / P.O. Box 1088
Travelers Rest, SC 29690

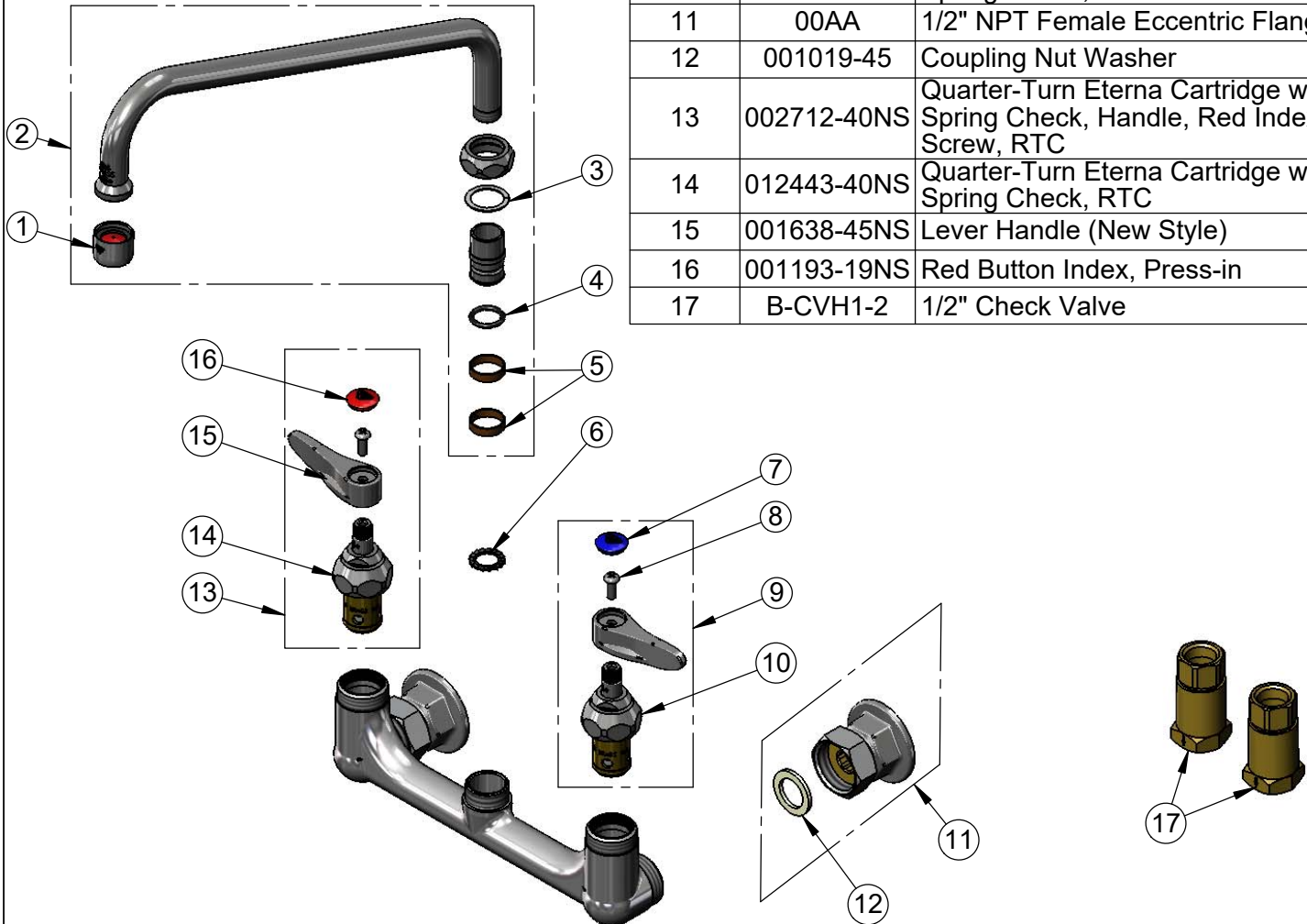
Model No.

B-0231-A22-CVH

Item No.

Travelers Rest, SC: 800-476-4103 • Simi Valley, CA: 800-423-0150 • Fax: 864-834-3518 • www.tsbrass.com

ITEM NO.	SALES NO.	DESCRIPTION
1	B-0199-01	2.2 GPM Aerator, 55/64"-27 UN Female
2	062X-A22	18" Swing Nozzle w. 2.2 GPM Aerator
3	009538-45	Swivel Washer
4	001074-45	O-Ring
5	011429-45	Swivel Sleeves (2)
6	014200-45	Star Washer, Anti-Rotation
7	018506-19NS	Blue Button Index, Press-in
8	000925-45	Lab Handle Screw
9	002711-40NS	Quarter-Turn Eterna Cartridge w/ Spring Check, Handle, Blue Index & Screw, LTC
10	012442-40NS	Quarter-Turn Eterna Cartridge w/ Spring Check, LTC
11	00AA	1/2" NPT Female Eccentric Flange
12	001019-45	Coupling Nut Washer
13	002712-40NS	Quarter-Turn Eterna Cartridge w/ Spring Check, Handle, Red Index & Screw, RTC
14	012443-40NS	Quarter-Turn Eterna Cartridge w/ Spring Check, RTC
15	001638-45NS	Lever Handle (New Style)
16	001193-19NS	Red Button Index, Press-in
17	B-CVH1-2	1/2" Check Valve



Product Specifications:

8" Wall Mount Mixing Faucet, Quarter-Turn Eterna Cartridges w/ Spring Checks, Lever Handles, 12" Swing Nozzle w/ 2.2 GPM Aerator, 1/2" NPT Female Inlet Flanges & Check Valves

Product Compliance:

ASME A112.18.1 / CSA B125.1
NSF 61 - Section 9
NSF 372 (Low Lead Content)
ANSI A117.1 (ADA)