



T&S BRASS AND BRONZE WORKS, INC.

2 Saddleback Cove / P.O. Box 1088
Travelers Rest, SC 29690

Model No.

B-2991-PA

Item No.

Travelers Rest, SC: 800-476-4103 • Simi Valley, CA: 800-423-0150 • Fax: 864-834-3518 • www.tsbrass.com



ADA Compliant

This Space for Architect/Engineer Approval

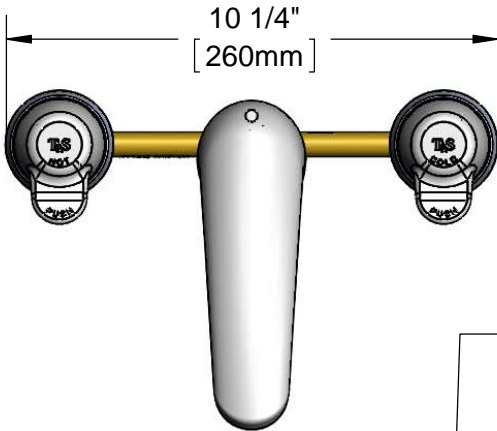
Job Name _____ Date _____

Model Specified _____ Quantity _____

Customer/Wholesaler _____

Contractor _____

Architect/Engineer _____



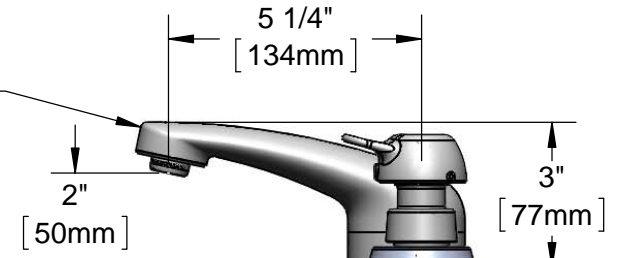
Loosen Vandal Resistant Screw (Do Not Remove) and Flip Handle Up to Access Metering Adjustment. (Metering Adjustment Requires 3/32" Hex Key)

Pivot Action Metering Cartridges w/ Hot & Cold Handles and Vandal Resistant Screws (Spanner Bit Included)

Lavatory Spout w/ B-0199-03 2.2 GPM Aerator

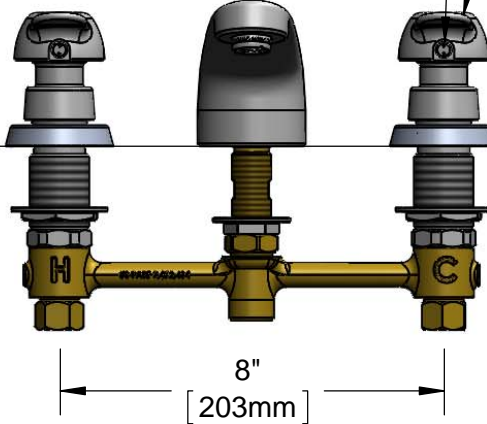
Mounting Surface

Ø 2 1/4" [57mm] Escutcheons



1 1/4" [32mm] Maximum Thickness

1/2" NPSM Male Inlets w/ Coupling Nuts



Rough-In Requirement:
Center Shank: Ø 1" [25mm] Mounting Hole
Hot/Cold Side: Ø 1 1/2" [38mm] Mounting Holes

Product Specifications:
8" Deck Mount EasyInstall Faucet, Pivot Action Metering Cartridges, Lavatory Spout w/ 2.2 GPM Aerator & 1/2" NPSM Male Inlets

Product Compliance:
ASME A112.18.1 / CSA B125.1
NSF 61 - Section 9
NSF 372 (Low Lead Content)
ANSI A117.1 (ADA)



T&S BRASS AND BRONZE WORKS, INC.

2 Saddleback Cove / P.O. Box 1088
Travelers Rest, SC 29690

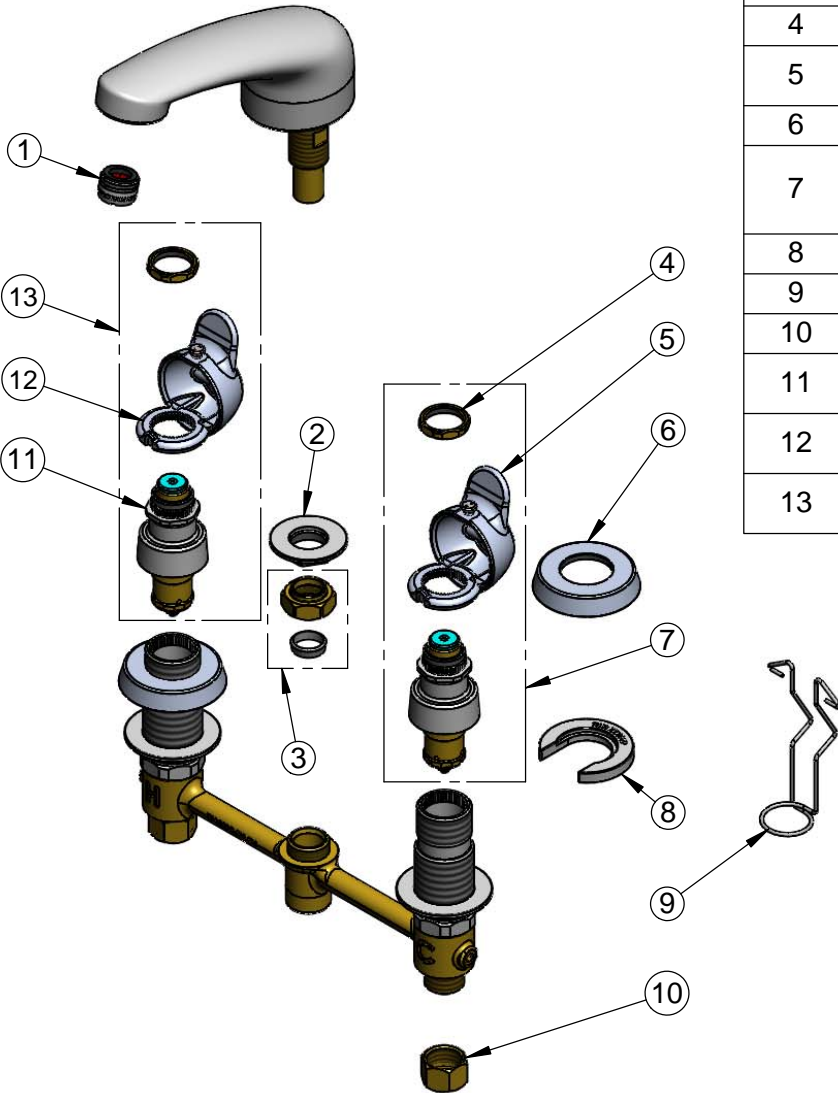
Model No.

B-2991-PA

Item No.

Travelers Rest, SC: 800-476-4103 • Simi Valley, CA: 800-423-0150 • Fax: 864-834-3518 • www.tsbrass.com

ITEM NO.	SALES NO.	DESCRIPTION
1	B-0199-03	2.2 GPM Aerator, 13/16-27 UN Male
2	016742-45	Center Flange Nut
3	016745-45	Compression Nut & Fitting
4	PA-N	Retaining Nut
5	PA-C	Cold Pivot Action Handle w/ Spanner Bit
6	017292-45	Metering CWS Escutcheon
7	238AC-PA	Pivot Action Metering Cartridge w/ Cold PA Handle & Spanner Bit
8	016749-45	Sidebody C-Washer
9	016777-45	CWS Hanger
10	000958-20	Coupling Nut
11	238A-PA	Pivot Action Metering Cartridge w/ Retaining Nut
12	PA-H	Ring, Retaining - Crescent
13	238AH-PA	Pivot Action Metering Cartridge w/ Hot PA Handle & Spanner Bit



017245-40
Installation Repair Kit
Includes #2, (2)#8, & #9

Product Specifications:
8" Deck Mount EasyInstall Faucet, Pivot Action Metering Cartridges,
Lavatory Spout w/ 2.2 GPM Aerator & 1/2" NPSM Male Inlets

Product Compliance:
ASME A112.18.1 / CSA B125.1
NSF 61 - Section 9
NSF 372 (Low Lead Content)
ANSI A117.1 (ADA)