



T&S BRASS AND BRONZE WORKS, INC.
 2 Saddleback Cove / P.O. Box 1088
 Travelers Rest, SC 29690

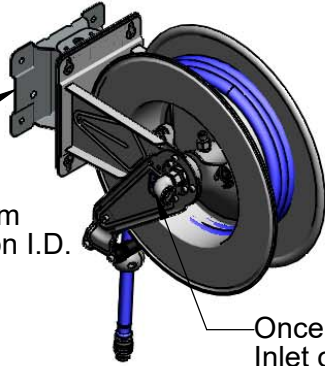
Model No.
ESA Hose Reels

Item No.

Travelers Rest, SC: 800-476-4103 • Simi Valley, CA: 800-423-0150 • Fax: 864-834-3518 • www.tsbrass.com

Stainless Steel
 Hose Reel &
 Swivel Bracket

Inlet & Outlet Dim
 (BSPT) Based on I.D.
 of Hose



Once Mounted,
 Inlet on Left

This Space for Architect/Engineer Approval

Job Name _____ Date _____

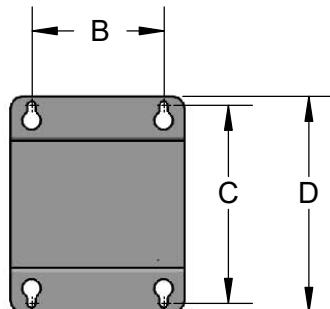
Model Specified _____ Quantity _____

Customer/Wholesaler _____

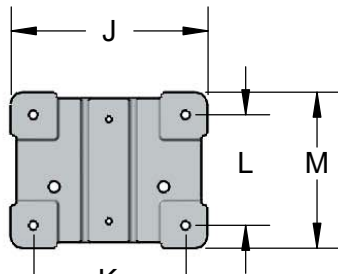
Contractor _____

Architect/Engineer _____

Hole Pattern

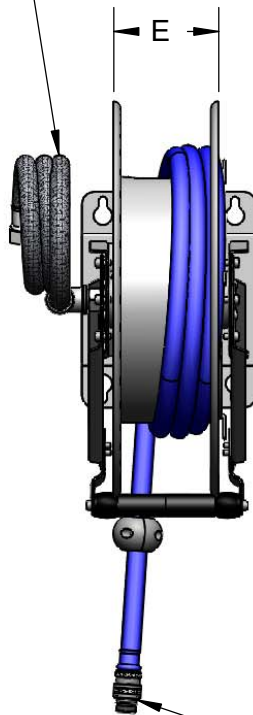


Reel Only

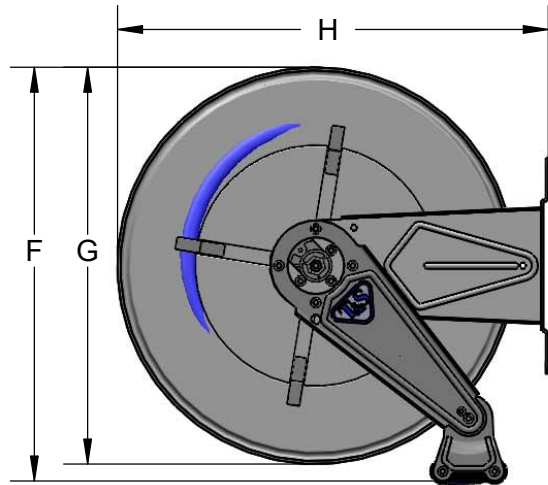


**Mounting
 Bracket**

1.5m Stainless Steel
 Braided Connector Hose



Chrome Plated Brass
 1/2" BSP
 Quick Disconnect



Views For
 Reference Only

MODEL #	FINISH	HOSE	I.D.	PRESSURE (PSI)	HOSE LENGTH	A	B	C	D	E	F	G	H	J	K	L	M
ESA-4L33-S	Stainless Steel	Yes	1/2"	360 [25 Bar]	33'[10m]	7.3" [185]	5.5" [140]	7.7" [196]	8.9" [226]	4.5" [114]	18.1" [460]	16.5" [419]	18.1" [460]	8.2" [208]	6.3" [160]	4.6" [117]	6.5" [165]
ESA-4L50-S	Stainless Steel	Yes	1/2"	360 [25 Bar]	50'[15m]	7.3" [185]	5.5" [140]	7.7" [196]	8.9" [226]	4.5" [114]	18.1" [460]	16.5" [419]	18.1" [460]	8.2" [208]	6.3" [160]	4.6" [117]	6.5" [165]
ESA-4L65-S	Stainless Steel	Yes	1/2"	360 [25 Bar]	65'[20m]	8.0" [203]	6.0" [152]	8.6" [218]	10.1" [257]	4.5" [114]	21.6" [549]	20.0" [508]	22.0" [559]	8.2" [208]	6.3" [160]	4.6" [117]	6.5" [165]
ESA-4L82-S	Stainless Steel	Yes	1/2"	360 [25 Bar]	82'[25m]	8.0" [203]	6.0" [152]	8.6" [218]	10.1" [257]	4.5" [114]	21.6" [549]	20.0" [508]	22.0" [559]	8.2" [208]	6.3" [160]	4.6" [117]	6.5" [165]

Product Specifications:
 Stainless Steel Dual Arm Hose Reel w/ 1/2" BSPT Hose,
 1.5m Connector Hose, Chrome Plated Brass Quick Disconnect,
 & Swivel Bracket

Product Compliance:



T&S BRASS AND BRONZE WORKS, INC.
 2 Saddleback Cove / P.O. Box 1088
 Travelers Rest, SC 29690

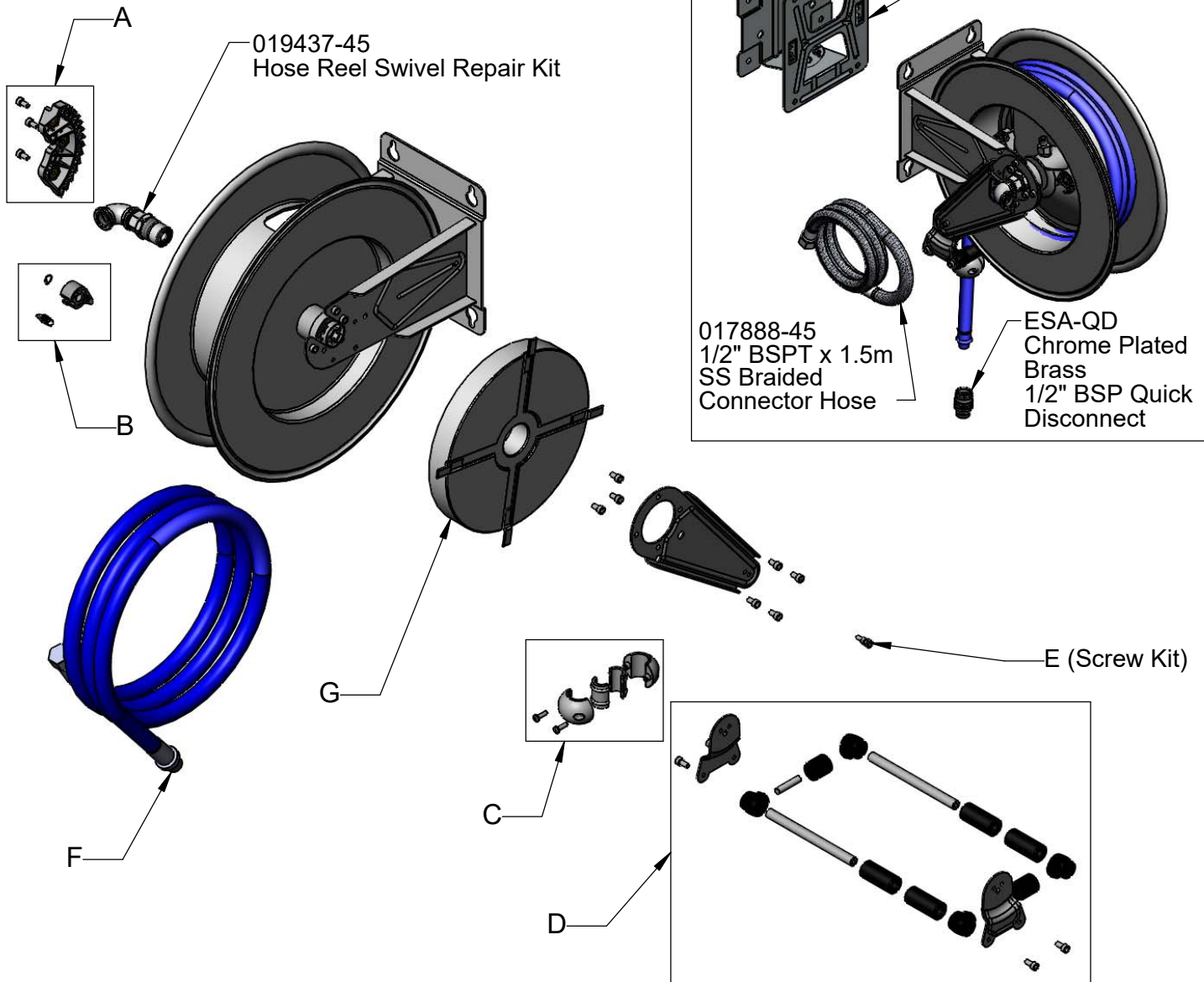
Model No.
ESA Hose Reels

Item No.

Travelers Rest, SC: 800-476-4103 • Simi Valley, CA: 800-423-0150 • Fax: 864-834-3518 • www.tsbrass.com

	A	B	C	D	E	F	G	H
ESA-4L33-S	017896-45	017895-45	017892-45	017899-45	017894-45	ESA-4L33-HOSE	018677-45	019058-45
ESA-4L50-S	017896-45	017895-45	017892-45	017899-45	017894-45	ESA-4L50-HOSE	018677-45	019058-45
ESA-4L65-S	017897-45	017895-45	017902-45	017898-45	017893-45	ESA-4L65-HOSE	018678-45	019059-45
ESA-4L82-S	017897-45	017895-45	017901-45	017900-45	017903-45	ESA-4L82-HOSE	018678-45	019059-45

Views For Reference Only



Product Specifications:
 Stainless Steel Dual Arm Hose Reel w/ 1/2" BSPT Hose,
 1.5m Connector Hose, Chrome Plated Brass Quick Disconnect,
 & Swivel Bracket

Product Compliance: