



# T&S BRASS AND BRONZE WORKS, INC.

2 Saddleback Cove / P.O. Box 1088  
Travelers Rest, SC 29690

Model No.

**S-1110-CR**

Item No.

Travelers Rest, SC: 800-476-4103 • Simi Valley, CA: 800-423-0150 • Fax: 864-834-3518 • www.tsbrass.com

**EVERSTEEL**



**ADA Compliant**

This Space for Architect/Engineer Approval

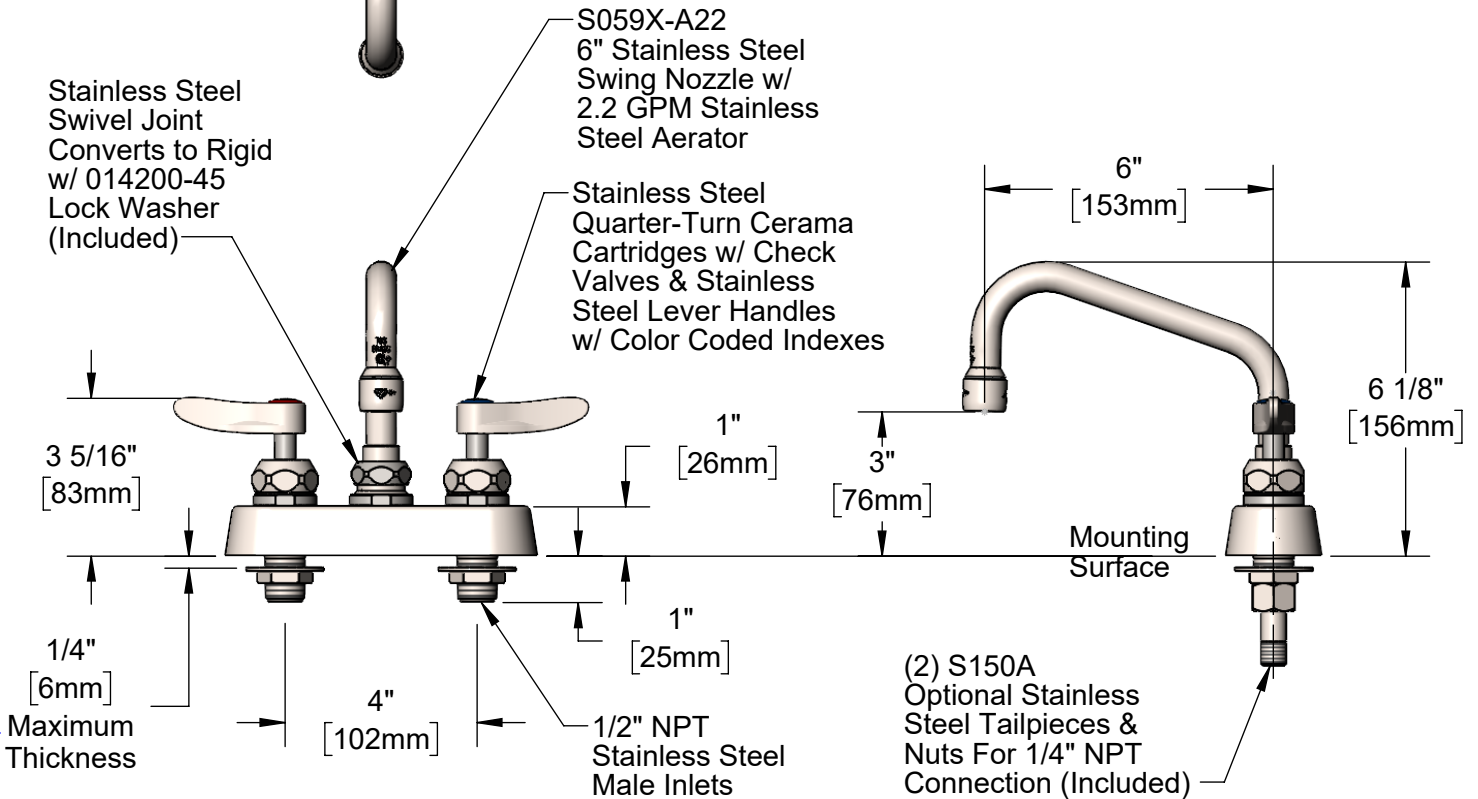
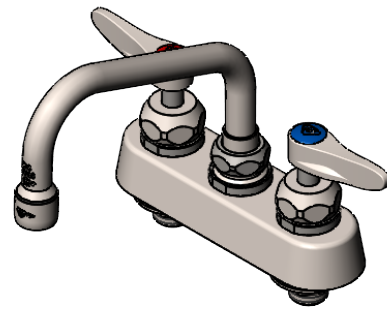
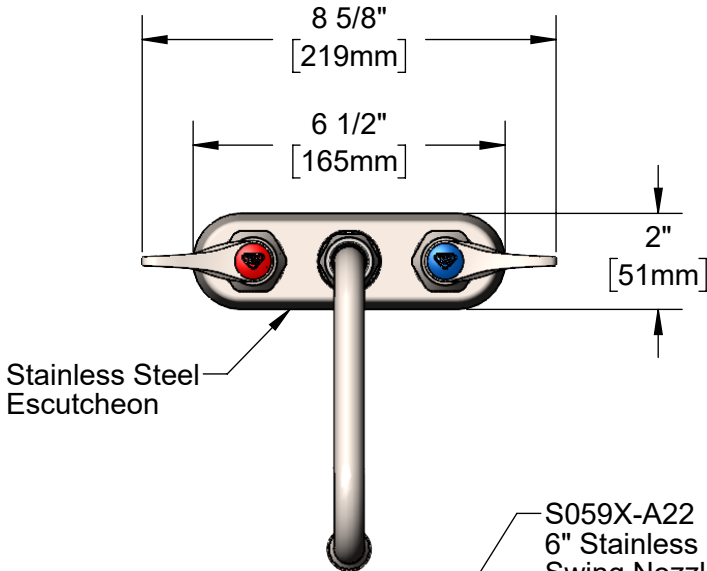
Job Name \_\_\_\_\_ Date \_\_\_\_\_

Model Specified \_\_\_\_\_ Quantity \_\_\_\_\_

Customer/Wholesaler \_\_\_\_\_

Contractor \_\_\_\_\_

Architect/Engineer \_\_\_\_\_



**Rough-In Requirement:**  
(2)  $\varnothing$  1" [25mm] Mounting Holes

**Product Specifications:**

4" Deck Mount Stainless Steel Workboard Faucet, Stainless Steel Quarter-Turn Cerama Cartridges w/ Check Valves, Stainless Steel Lever Handles, 6" Stainless Steel Swing Nozzle, 2.2 GPM Stainless Steel Aerator & 1/2" NPT Stainless Steel Male Inlets

**Product Compliance:**

ASME A112.18.1 / CSA B125.1  
NSF 61 - Section 9  
NSF 372 (Low Lead Content)  
ANSI A117.1 (ADA)



# T&S BRASS AND BRONZE WORKS, INC.

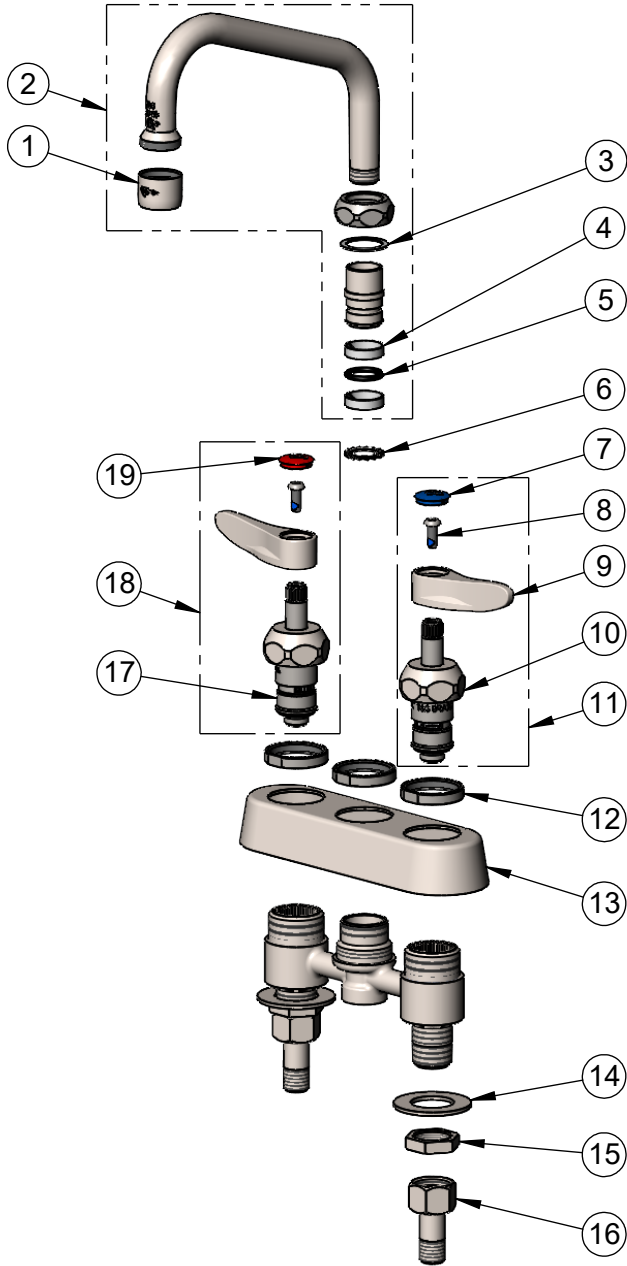
2 Saddleback Cove / P.O. Box 1088  
Travelers Rest, SC 29690

Model No.

**S-1110-CR**

Item No.

Travelers Rest, SC: 800-476-4103 • Simi Valley, CA: 800-423-0150 • Fax: 864-834-3518 • www.tsbrass.com



ITEM NO.	SALES NO.	DESCRIPTION
1	S-0199-01	2.2 GPM SS Aerator, 55/64-27 UN Female
2	S059X-A22	6" SS Swing Nozzle w/ 2.2 GPM Aerator
3	009538-45	Swivel Washer
4	011429-45	Swivel Sleeves (2)
5	001074-45	O-Ring
6	014200-45	Star Washer, Anti-Rotation
7	018506-19NS	Blue Button Index, Press-in
8	000925-45	Lab Handle Screw
9	S001638-30NS	SS Lever Handle (New Style)
10	S012395-30NS	Stainless Steel Quarter-Turn Cerama Cartridge w/ Check Valve, LTC
11	S012447-30NS	Stainless Steel Quarter-Turn Cerama Cartridge w/ Check Valve, Handle, Blue Index & Screw, LTC
12	S019376-30	SS Escutcheon Lock Nut
13	S019374-30	S-1110 Stainless Steel Workboard Escutcheon
14	S000999-20	Stainless Steel Lock Washer
15	S002954-20	Stainless Steel Shank Lock Nut
16	S150A	1/4" NPT SS Tailpiece & Nut
17	S012394-30NS	Stainless Steel Quarter-Turn Cerama Cartridge w/ Check Valve, RTC
18	S012446-30NS	Stainless Steel Quarter-Turn Cerama Cartridge w/ Check Valve, Handle, Red Index & Screw, RTC
19	001193-19NS	Red Button Index, Press-in

**Product Specifications:**

4" Deck Mount Stainless Steel Workboard Faucet, Stainless Steel Quarter-Turn Cerama Cartridges w/ Check Valves, Stainless Steel Lever Handles, 6" Stainless Steel Swing Nozzle, 2.2 GPM Stainless Steel Aerator & 1/2" NPT Stainless Steel Male Inlets

**Product Compliance:**

ASME A112.18.1 / CSA B125.1  
NSF 61 - Section 9  
NSF 372 (Low Lead Content)  
ANSI A117.1 (ADA)