



Swivel/Rigid Sink and Pantry Faucets

S-0305-CR

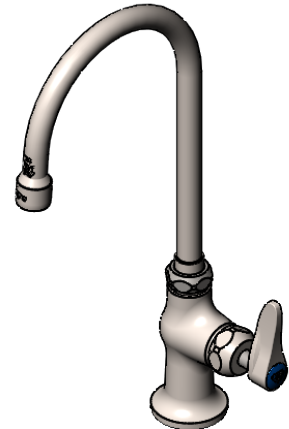
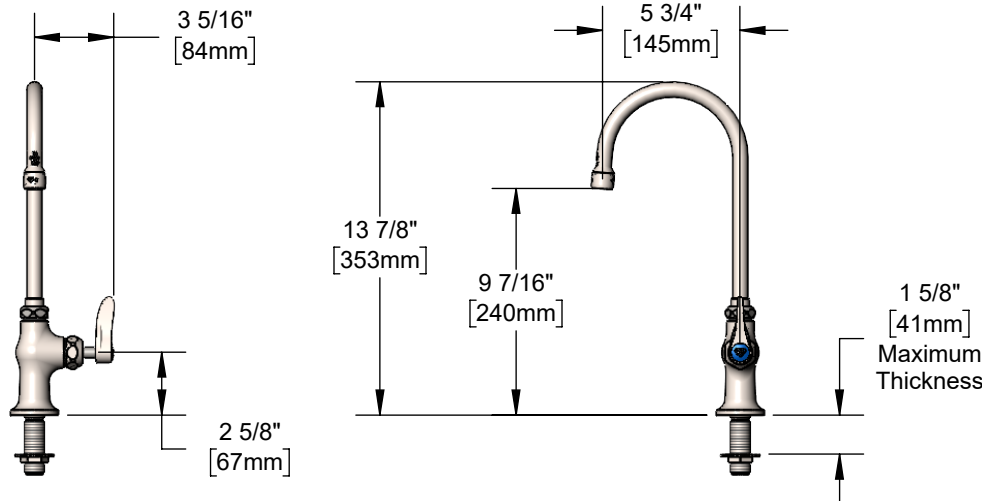
TAG:

EVERSTEEL Single Pantry Faucet

Architect/Engineering Specifications:

Stainless steel single hole single temperature deck mount faucet, stainless steel ceramic cartridge with check valve, stainless steel lever handle, stainless steel 5 3/4" swivel/rigid gooseneck with stream regulator outlet and 1/2" NPSM male inlet. Certified to ASME A112.18.1/CSA B125.1, NSF 61-Section 9 and NSF 372. Meets ADA ANSI/ICC A117.1 requirements.

Job Name _____
 Model Specified _____ Quantity _____
 Variations Specified _____
 Date _____



Features & Benefits:

- All stainless steel construction with brushed finish
- Single hole single temperature deck mount faucet w/ stainless steel body
- Stainless steel quarter-turn Cerama cartridge w/ check valve
- Stainless steel lever handle w/ blue index
- Stainless steel 5 3/4" swivel/rigid gooseneck. Converts to rigid with included lock washer provided
- Stainless steel stream regulator outlet, Series 1
- 1/2" NPSM male inlet w/ \varnothing 2" flange
- Material: Stainless steel body, tubular spout, cartridge and handle

Product Compliance:

- ASME A112.18.1 / CSA B125.1
- NSF 61 - Section 9
- NSF 372 (Low Lead Content)
- ANSI A117.1 (ADA)



ADA Compliant

Warranty: Lifetime (Limited)

Performance Data:

- Pressure: 20 - 125 psi [1.38 - 8.62 bar]
- Temperature: 40°F - 140°F [4.44°C - 60 °C]
- Flow Rate: 5.04 GPM [19.08 L/min] @ 60 psi [4.14 bar]

Stainless Steel T&S Swing Nozzles

- S059X 6" Swing Nozzle
- S060X 8" Swing Nozzle
- S062X 12" Swing Nozzle
- S063X 14" Swing Nozzle
- S065X 18" Swing Nozzle

Optional SS Handles

- 4" Wrist Action
- Lever (Standard)
- 4-Arm

Stainless Steel T&S Swivel Goosenecks (D x K)

- S133X 5 11/16" x 6 1/4" Swivel Gooseneck (Standard)

Optional SS Cartridges With Checks

- Quarter-Turn Cerama w/ Check Valve (Standard)
- Quarter-Turn Eterna w/ Spring Check



T&S BRASS AND BRONZE WORKS, INC.



• 2 Saddleback Cove • Travelers Rest, SC 29690
 Ph 800-476-4103 • Fax 864-834-3518
 • Simi Valley, CA • Ph 800-423-0150 • www.tsbrass.com

Date: 04/29/24