



T&S BRASS AND BRONZE WORKS, INC.

2 Saddleback Cove / P.O. Box 1088
Travelers Rest, SC 29690

Model No.

B-2866-CR5XP15

Item No.

Travelers Rest, SC: 800-476-4103 • Simi Valley, CA: 800-423-0150 • Fax: 864-834-3518 • www.tsbrass.com



ADA Compliant

This Space for Architect/Engineer Approval

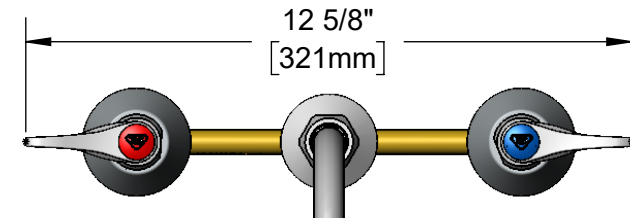
Job Name _____ Date _____

Model Specified _____ Quantity _____

Customer/Wholesaler _____

Contractor _____

Architect/Engineer _____



12 5/8"
[321mm]

133XP-F15
Laminar Swivel Gooseneck w/
1.5 GPM Flow Control Device.
Rigid Conversion Requires
014200-45 Lock Washer
(Included)

Ø 2"
[51mm]
Swivel Deck
Flange

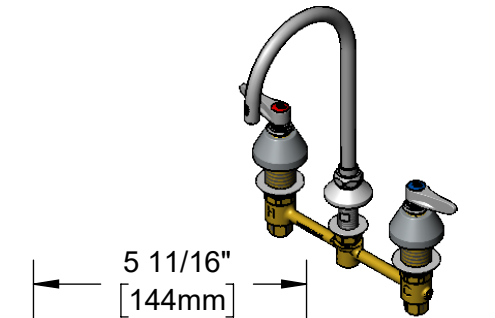
Quarter-Turn
Cerama Cartridges w/
Check Valves &
Lever Handles w/
Color Coded Indexes

2 9/16"
[66mm]

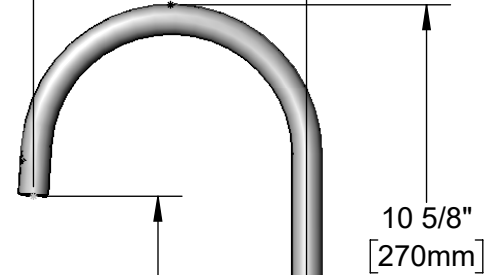
Mounting
Surface

Ø 2 1/4"
[57mm]
Escutcheons

8"
[203mm]



5 11/16"
[144mm]



10 5/8"
[270mm]

6 5/8"
[168mm]

1 1/4"
[32mm]
Maximum
Thickness

1/2" NPSM
Male Inlets w/
Coupling Nuts

Rough-In Requirement:
Center Shank: Ø 1" [25mm] Mounting Hole
Hot/Cold Side: Ø 1 1/2" [38mm] Mounting Holes

Product Specifications:
8" Deck Mount EasyInstall Mixing Faucet, Quarter-Turn Cerama Cartridges w/
Check Valves, Lever Handles, 5 11/16" Laminar Swivel/Rigid Gooseneck w/
Plain End Outlet, 1.5 GPM Flow Control Device & 1/2" NPT Male Inlets

Product Compliance:
ASME A112.18.1 / CSA B125.1
NSF 61 - Section 9
NSF 372 (Low Lead Content)
ANSI A117.1 (ADA)
EPA WaterSense



T&S BRASS AND BRONZE WORKS, INC.

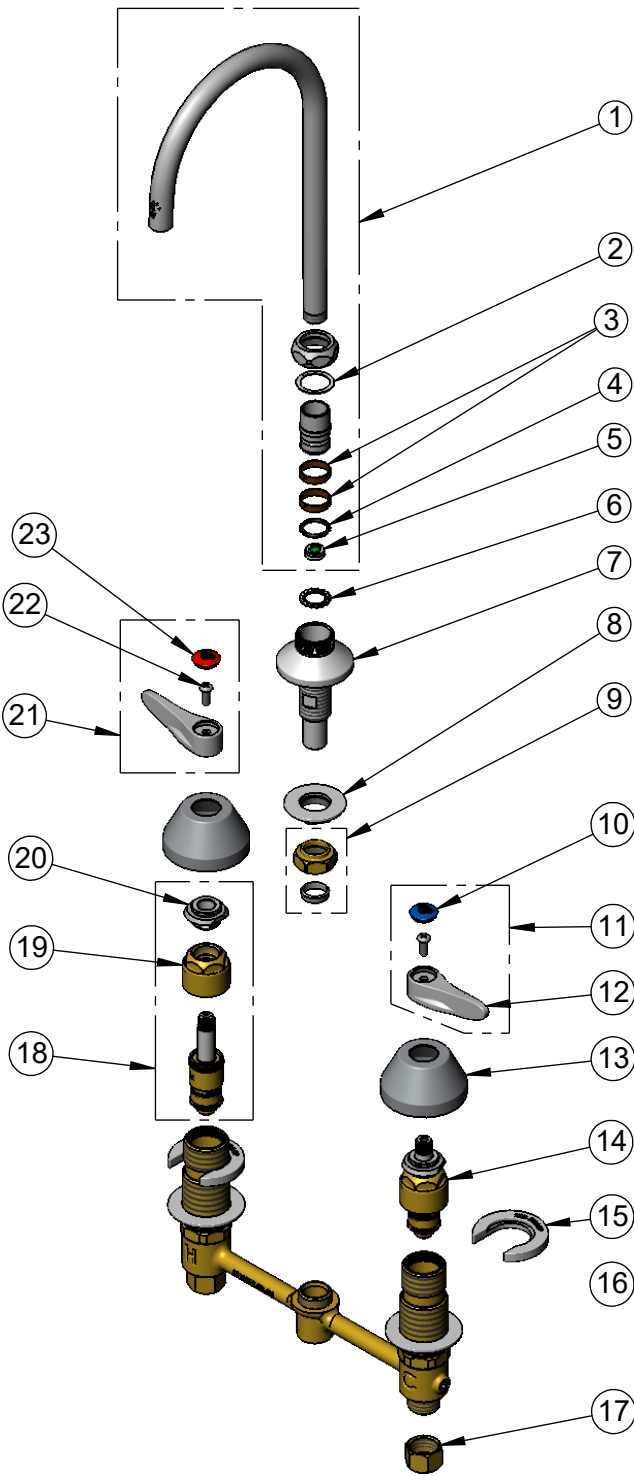
2 Saddleback Cove / P.O. Box 1088
Travelers Rest, SC 29690

Model No.

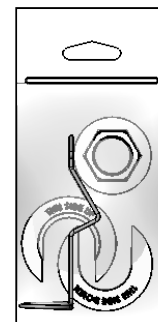
B-2866-CR5XP15

Item No.

Travelers Rest, SC: 800-476-4103 • Simi Valley, CA: 800-423-0150 • Fax: 864-834-3518 • www.tsbrass.com



ITEM NO.	SALES NO.	DESCRIPTION
1	133XP-F15	6" Laminar Swivel Gooseneck w/ 1.5 GPM Flow Control Device
2	009538-45	Swivel Washer
3	011429-45	Swivel Sleeves (2)
4	001074-45	O-Ring
5	FD15	Flow Disc, 1.5 GPM [5.68 L/min]
6	014200-45	Star Washer, Anti-Rotation
7	016754-40NS	EasyInstall CWS Swivel Center (New Style)
8	016742-45	Center Flange Nut
9	016745-45	Compression Nut & Fitting
10	018506-19NS	Blue Button Index, Press-in
11	001636-45NS	Lever Handle, Blue Index & Screw
12	001638-45NS	Lever Handle (New Style)
13	001257-40NS	Bell Escutcheon
14	016768-25NS	EasyInstall, CWS Quarter-Turn Cerama Cartridge w/ Check Valve, LTC
15	016749-45	Sidebody C-Washer
16	016777-45	CWS Hanger
17	000958-20	Coupling Nut
18	016767-25NS	EasyInstall, CWS Quarter-Turn Cerama Cartridge w/ Check Valve, RTC
19	016743-20	CWS Bonnet
20	009002-40NS	Packing Assembly (New Style)
21	B-WH4H-NS	Wrist Action Handle, Red Index & Screw
22	000925-45	Lab Handle Screw
23	001193-19NS	Red Button Index, Press-in



017245-40
Installation Repair Kit
Includes #8, (2)#15 & #16

Product Specifications:
8" Deck Mount EasyInstall Mixing Faucet, Quarter-Turn Cerama Cartridges w/ Check Valves, Lever Handles, 5 11/16" Laminar Swivel/Rigid Gooseneck w/ Plain End Outlet, 1.5 GPM Flow Control Device & 1/2" NPT Male Inlets

Product Compliance:
ASME A112.18.1 / CSA B125.1
NSF 61 - Section 9
NSF 372 (Low Lead Content)
ANSI A117.1 (ADA)
EPA WaterSense