



T&S BRASS AND BRONZE WORKS, INC.

2 Saddleback Cove / P.O. Box 1088
Travelers Rest, SC 29690

Model No.

B-0220-166X-CRK

Item No.

Travelers Rest, SC: 800-476-4103 • Simi Valley, CA: 800-423-0150 • Fax: 864-834-3518 • www.tsbrass.com



ADA Compliant

This Space for Architect/Engineer Approval

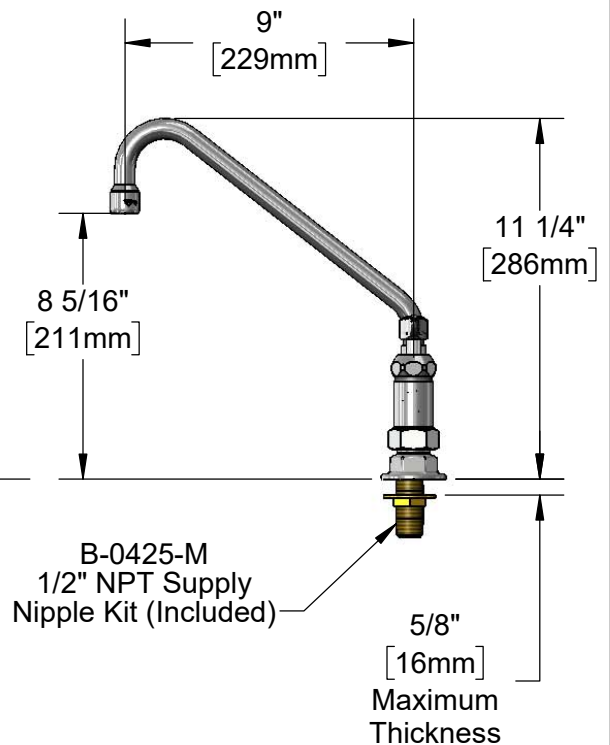
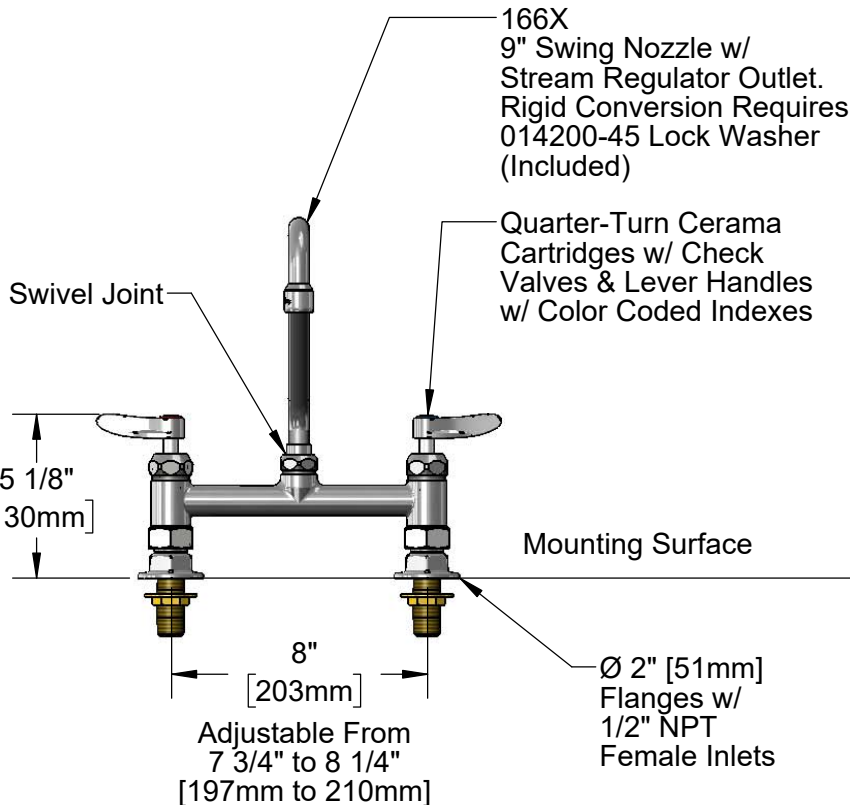
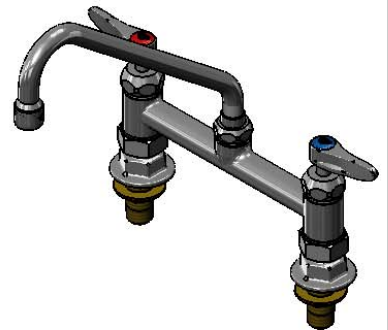
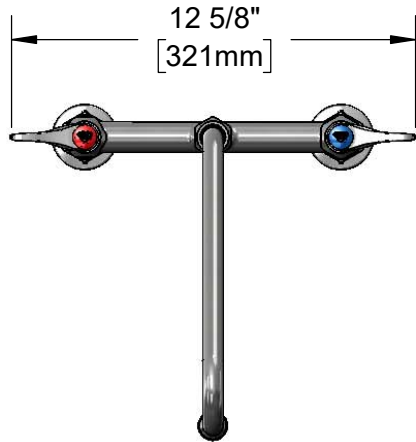
Job Name _____ Date _____

Model Specified _____ Quantity _____

Customer/Wholesaler _____

Contractor _____

Architect/Engineer _____



Rough-In Requirement:
(2) Ø 1" [25mm] Mounting Holes

Product Specifications:
8" Deck Mount Mixing Faucet, Quarter-Turn Cerama Cartridges w/ Check Valves, Lever Handles, 9" Swing Nozzle w/ Stream Regulator Outlet, 1/2" NPT Female Inlets & 1/2" NPT Supply Nipple Kit

Product Compliance:
ASME A112.18.1 / CSA B125.1
NSF 61 - Section 9
NSF 372 (Low Lead Content)
ANSI A117.1 (ADA)



T&S BRASS AND BRONZE WORKS, INC.

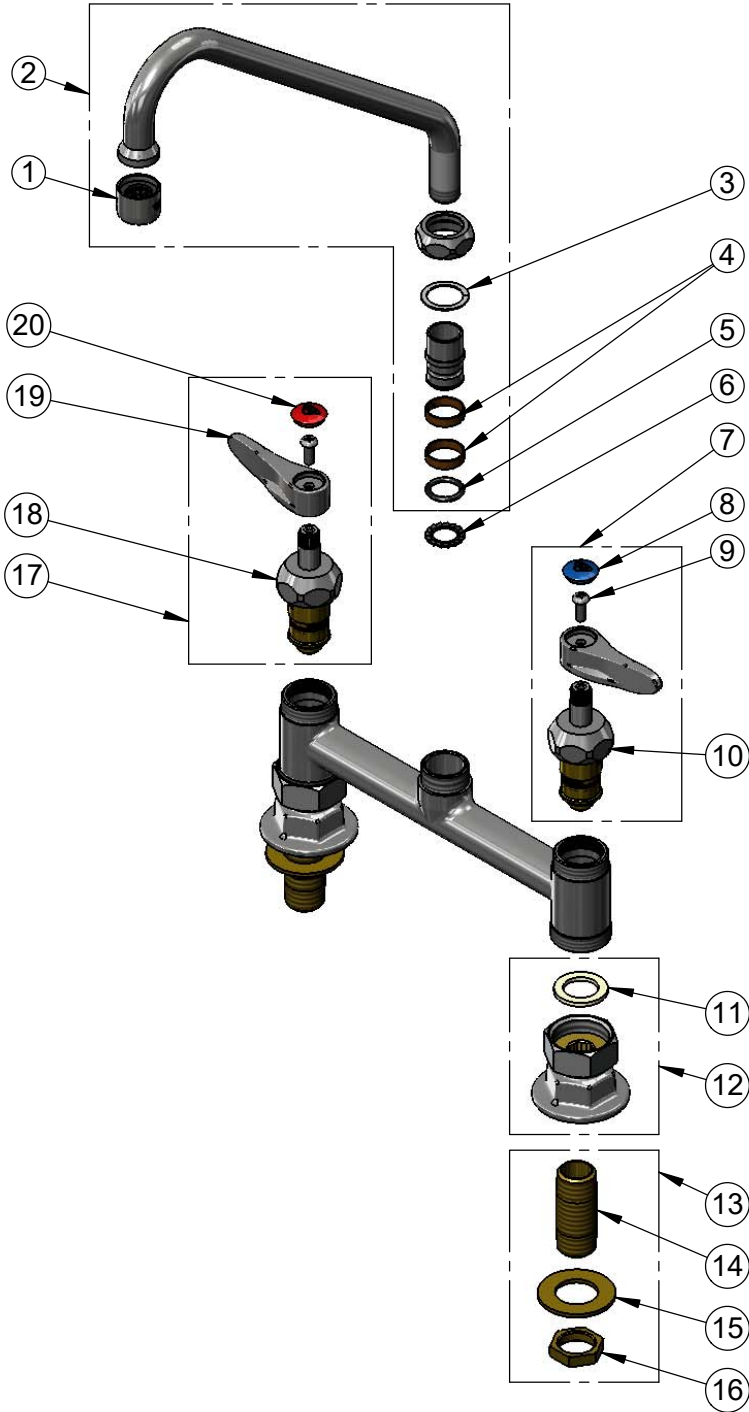
2 Saddleback Cove / P.O. Box 1088
Travelers Rest, SC 29690

Model No.

B-0220-166X-CRK

Item No.

Travelers Rest, SC: 800-476-4103 • Simi Valley, CA: 800-423-0150 • Fax: 864-834-3518 • www.tsbrass.com



| ITEM NO. | SALES NO. | DESCRIPTION |
|----------|-------------|---|
| 1 | B-PT | Full Flow Stream Regulator, 55/64-27 |
| 2 | 166X | 9" Swing Nozzle |
| 3 | 009538-45 | Swivel Washer |
| 4 | 011429-45 | Swivel Sleeves (2) |
| 5 | 001074-45 | O-Ring |
| 6 | 014200-45 | Star Washer, Anti-Rotation |
| 7 | 012447-25NS | Quarter-Turn Cerama Cartridge w/ Check Valve, Handle, Blue Index & Screw, LTC |
| 8 | 018506-19NS | Blue Button Index, Press-in |
| 9 | 000925-45 | Lab Handle Screw |
| 10 | 012395-25NS | Quarter-Turn Cerama Cartridge w/ Check Valve, LTC |
| 11 | 001019-45 | Coupling Nut Washer |
| 12 | 00AA | 1/2" NPT Female Eccentric Flange |
| 13 | B-0425-M | 1/2" NPT Supply Nipple Kit (2) |
| 14 | 000422-20 | 1/2" NPT x 2" Supply Nipple |
| 15 | 000999-45 | Brass Lock Washer |
| 16 | 002954-45 | Shank Lock Nut |
| 17 | 012446-25NS | Quarter-Turn Cerama Cartridge w/ Check Valve, Handle, Red Index & Screw, RTC |
| 18 | 012394-25NS | Quarter-Turn Cerama Cartridge w/ Check Valve, RTC |
| 19 | 001638-45NS | Lever Handle (New Style) |
| 20 | 001193-19NS | Red Button Index, Press-in |

Product Specifications:

8" Deck Mount Mixing Faucet, Quarter-Turn Cerama Cartridges w/ Check Valves, Lever Handles, 9" Swing Nozzle w/ Stream Regulator Outlet, 1/2" NPT Female Inlets & 1/2" NPT Supply Nipple Kit

Product Compliance:

ASME A112.18.1 / CSA B125.1
NSF 61 - Section 9
NSF 372 (Low Lead Content)
ANSI A117.1 (ADA)