



Lavatory Faucet

B-2991-PA

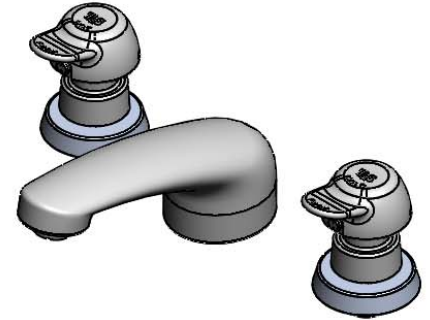
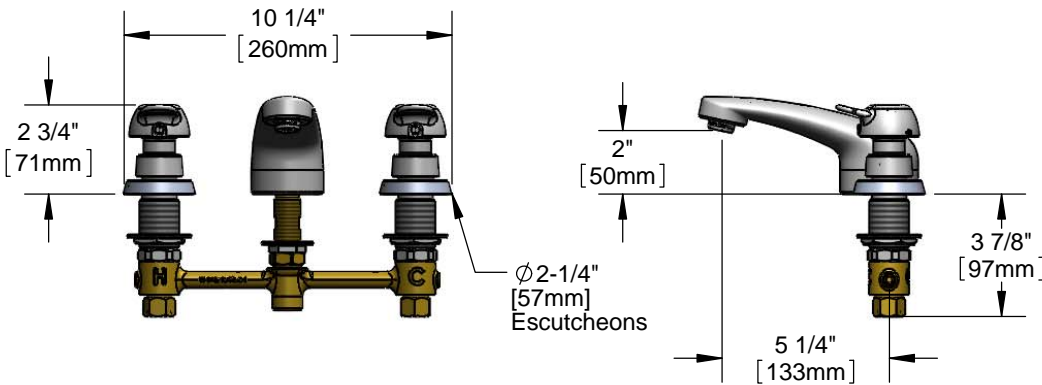
EasyInstall Concealed Widespread Lavatory Faucet

TAG:

Architect/Engineering Specifications:

8" concealed deck mount lavatory mixing faucet, cast spout with 2.2 GPM aerator, metering cartridges, pivot action handles, chrome plated escutcheons and 1/2" NPSM male inlets. Certified to ASME A112.18.1/CSA B125.1, NSF 61-Section 9 and NSF 372. Meets ADA ANSI/ICC A117.1 requirements.

Job Name _____
 Model Specified _____ Quantity _____
 Variations Specified _____
 Date _____



Features & Benefits:

- 8" EasyInstall concealed deck mount faucet w/ forged brass body
- Chrome plated brass cast spout
- 2.2 GPM aerator, Series 3 (B-0199-03)
- Pivot action metering cartridges
- Adjustable metering cycle, 10 to 30 seconds
- Pivot action handles with vandal resistant screws
- 1/2" NPSM male inlets w/ coupling nuts
- Material: Forged brass body, chrome plated metal handles & chrome plated tubular nozzle

Product Compliance:

- ASME A112.18.1 / CSA B125.1
- NSF 61 - Section 9
- NSF 372 (Low Lead Content)
- ANSI A117.1 (ADA)



Warranty: One Year (Limited)

Performance Data:

- Pressure: 20 - 125 psi
- Temperature: 40°F - 140°F
- Flow Rate: 2.2 GPM @ 60 psi



Optional Outlets (Series 4 / VR Series 9)

| GPM | Aerated | Non-Aerated (Laminar) | VR Aerated | VR Non-Aerated (VR Laminar) |
|------|---------------------------------------|---|---------------------------------------|--|
| 0.35 | N/A | <input type="checkbox"/> B-0199-04-N035 | N/A | <input type="checkbox"/> B-0199-09-N035 |
| 0.5 | N/A | <input type="checkbox"/> B-0199-04-N05 | N/A | <input type="checkbox"/> B-0199-09-N05 |
| 1.0 | N/A | N/A | N/A | <input type="checkbox"/> B-0199-09-LF-10 |
| 1.5 | <input type="checkbox"/> B-0199-04-WS | N/A | <input type="checkbox"/> B-0199-09-WS | <input type="checkbox"/> B-0199-09-LF-15 |
| 2.2 | <input type="checkbox"/> Standard | <input type="checkbox"/> B-0199-25 | <input type="checkbox"/> B-0199-09 | <input type="checkbox"/> B-0199-27 |

Optional Cartridges

- Push Button Metering
- Pivot Action Metering
- Wrist Action Metering



T&S BRASS AND BRONZE WORKS, INC.



• 2 Saddleback Cove • Travelers Rest, SC 29690
 Ph 800-476-4103 • Fax 864-834-3518
 • Simi Valley, CA • Ph 800-423-0150 • www.tsbrass.com

Date: 02/16/15