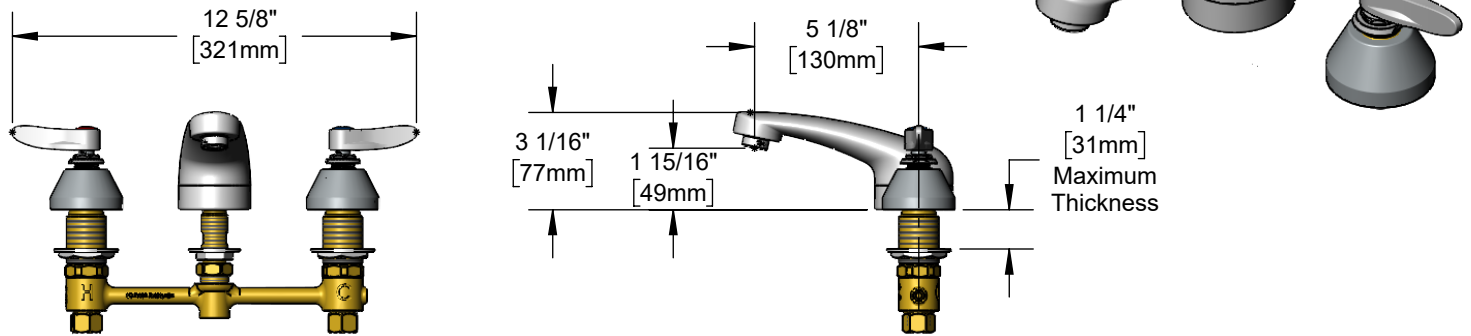




#### Architect/Engineering Specifications:

8" concealed deck mount mixing faucet with forged brass body, polished chrome plated cast spout with 0.5 GPM non-aerated spray device, compression cartridges with spring checks, lever handles, polished chrome plated escutcheons and 1/2" NPT male inlets with coupling nuts. Certified to ASME A112.18.1/CSA B125.1, NSF 61-Section 9 and NSF 372. Meets ADA ANSI/ICC A117.1 requirements.

Job Name \_\_\_\_\_  
 Model Specified \_\_\_\_\_ Quantity \_\_\_\_\_  
 Variations Specified \_\_\_\_\_  
 Date \_\_\_\_\_



#### Features & Benefits:

- 8" EasyInstall concealed deck mount mixing faucet w/ forged brass body
- Polished chrome plated brass cast spout
- 0.5 GPM non-aerated spray device, Series 3 (B-0199-03-N05)
- Quarter-turn Eterna compression cartridges w/ spring checks to prevent cross flow of water
- Lever handles w/ color coded indexes
- 1/2" NPT male inlets w/ coupling nuts
- Material: Forged brass body, chrome plated metal handles, and escutcheons & polished chrome plated brass cast spout

#### Product Compliance:

- ASME A112.18.1 / CSA B125.1
- NSF 61 - Section 9
- NSF 372 (Low Lead Content)
- ANSI A117.1 (ADA)



#### Warranty: One Year (Limited)

#### Performance Data:

- Pressure: 20 - 125 psi [1.38 - 8.62 bar]
- Temperature: 40°F - 140°F [4.44°C - 60°C]
- Flow Rate: 0.5 GPM [1.8 L/min] @ 60 psi [4.14 bar]



#### Optional Outlets (Series 3 / VR Series 8)

GPM	Aerated	Non-Aerated (Laminar)	VR Aerated
0.35	N/A	<input type="checkbox"/> B-0199-03-N035	N/A
0.5	N/A	Standard	N/A
1.0	N/A	N/A	N/A
1.2	<input type="checkbox"/> B-0199-03-F12	N/A	<input type="checkbox"/> B-0199-08-F12
1.5	<input type="checkbox"/> B-0199-03-WS	N/A	<input type="checkbox"/> B-0199-08-WS
2.2	<input type="checkbox"/> B-0199-03	<input type="checkbox"/> B-0199-26	<input type="checkbox"/> B-0199-08

#### Optional Handles

- 4" Wrist Action
- Lever (Standard)
- 4-Arm

#### Optional Cartridges

- |  |   |
|--|---|
| <ul style="list-style-type: none"> <li><input type="checkbox"/> B-0199-08-N035</li> <li><input type="checkbox"/> B-0199-08-N05</li> <li><input type="checkbox"/> B-0199-08-LF10</li> <li>N/A</li> <li><input type="checkbox"/> B-0199-08-LF15</li> <li><input type="checkbox"/> B-0199-28</li> </ul> | <ul style="list-style-type: none"> <li><input type="checkbox"/> Quarter-Turn Cerama w/ Check Valve</li> <li><input type="checkbox"/> Quarter-Turn Eterna w/ Spring Check (Standard)</li> <li><input type="checkbox"/> Push Button Metering</li> <li><input type="checkbox"/> Pivot Action Metering</li> <li><input type="checkbox"/> Wrist Action Metering</li> </ul> |
|--|---|

