



T&S BRASS AND BRONZE WORKS, INC.

2 Saddleback Cove / P.O. Box 1088
Travelers Rest, SC 29690

Model No.

B-0231-EE

Item No.

Travelers Rest, SC: 800-476-4103 • Simi Valley, CA: 800-423-0150 • Fax: 864-834-3518 • www.tsbrass.com



ADA Compliant

This Space for Architect/Engineer Approval

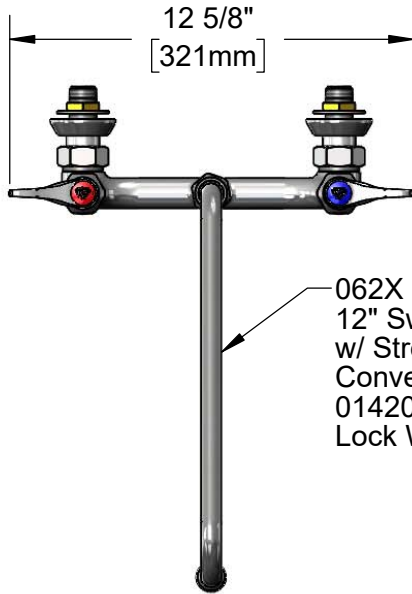
Job Name _____ Date _____

Model Specified _____ Quantity _____

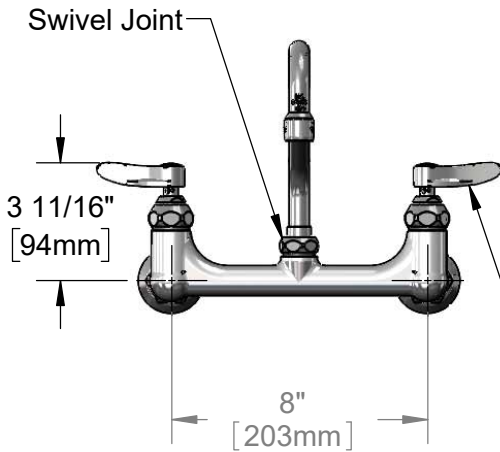
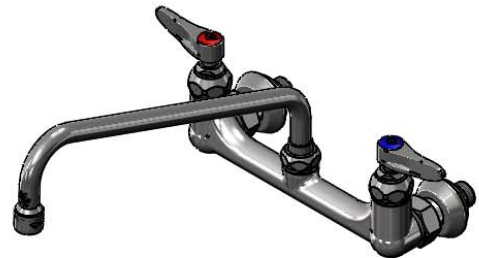
Customer/Wholesaler _____

Contractor _____

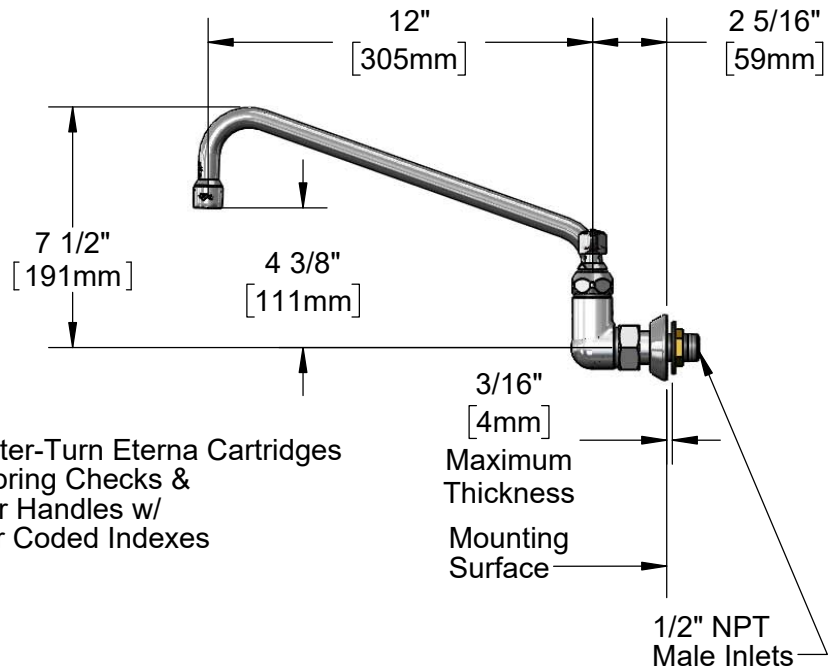
Architect/Engineer _____



062X
12" Swing Nozzle
w/ Stream Regulator Outlet
Converts to Rigid w/
014200-45
Lock Washer (Included).



Quarter-Turn Eterna Cartridges
w/ Spring Checks &
Lever Handles w/
Color Coded Indexes



Rough-In Requirement:
(2) ϕ 1" [25mm] Mounting Holes

Product Specifications:
8" Wall Mount Mixing Faucet, Quarter-Turn Eterna Cartridges w/ Spring Checks, Lever Handles, 12" Swing Nozzle & 1/2" NPT Male Inlets

Product Compliance:
ASME A112.18.1 / CSA B125.1
NSF 61 - Section 9
NSF 372 (Low Lead Content)
ANSI A117.1 (ADA)

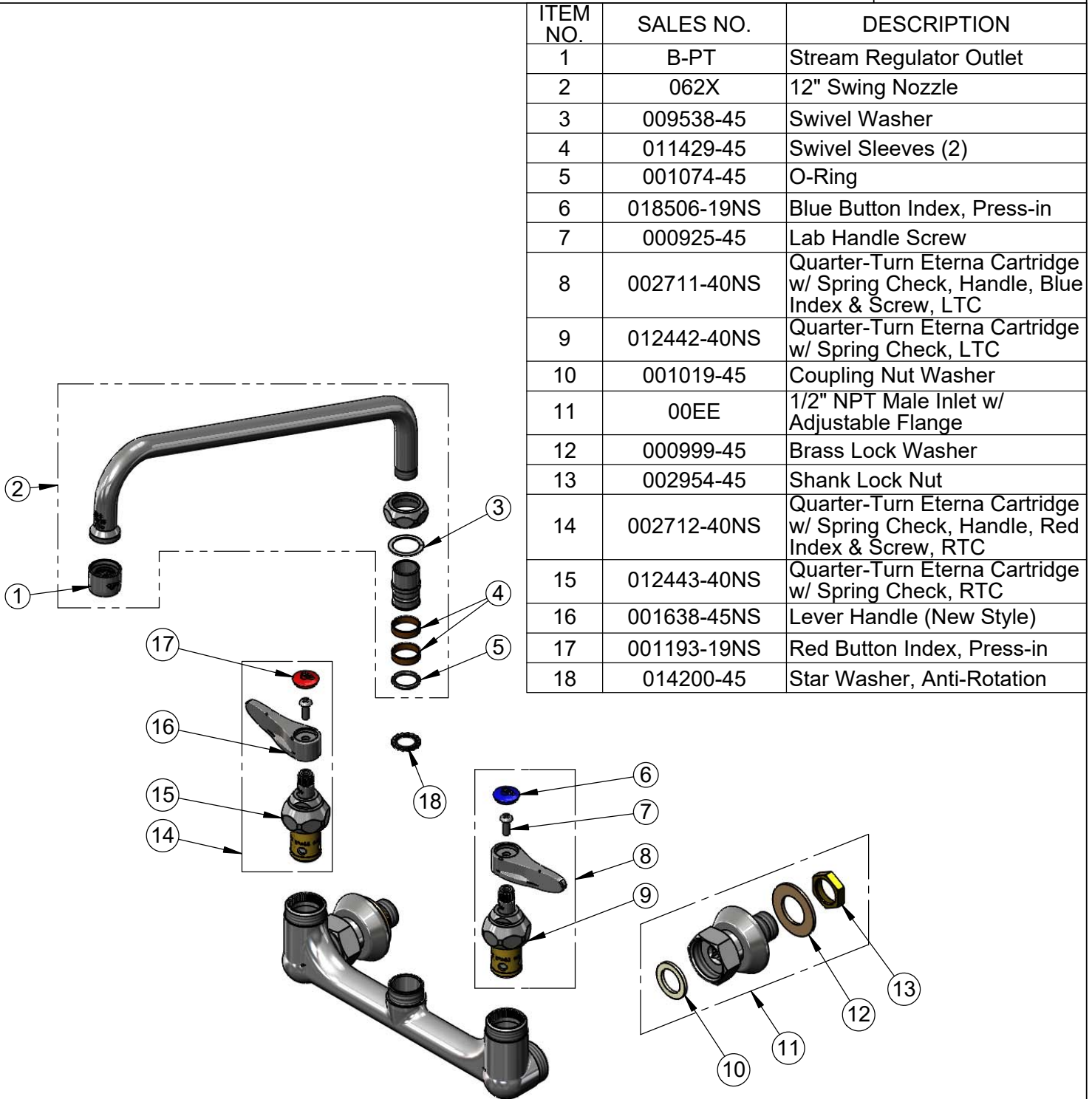


T&S BRASS AND BRONZE WORKS, INC.
 2 Saddleback Cove / P.O. Box 1088
 Travelers Rest, SC 29690

Model No.
B-0231-EE

Item No.

Travelers Rest, SC: 800-476-4103 • Simi Valley, CA: 800-423-0150 • Fax: 864-834-3518 • www.tsbrass.com



ITEM NO.	SALES NO.	DESCRIPTION
1	B-PT	Stream Regulator Outlet
2	062X	12" Swing Nozzle
3	009538-45	Swivel Washer
4	011429-45	Swivel Sleeves (2)
5	001074-45	O-Ring
6	018506-19NS	Blue Button Index, Press-in
7	000925-45	Lab Handle Screw
8	002711-40NS	Quarter-Turn Eterna Cartridge w/ Spring Check, Handle, Blue Index & Screw, LTC
9	012442-40NS	Quarter-Turn Eterna Cartridge w/ Spring Check, LTC
10	001019-45	Coupling Nut Washer
11	00EE	1/2" NPT Male Inlet w/ Adjustable Flange
12	000999-45	Brass Lock Washer
13	002954-45	Shank Lock Nut
14	002712-40NS	Quarter-Turn Eterna Cartridge w/ Spring Check, Handle, Red Index & Screw, RTC
15	012443-40NS	Quarter-Turn Eterna Cartridge w/ Spring Check, RTC
16	001638-45NS	Lever Handle (New Style)
17	001193-19NS	Red Button Index, Press-in
18	014200-45	Star Washer, Anti-Rotation

Product Specifications:
8" Wall Mount Mixing Faucet, Quarter-Turn Eterna Cartridges w/ Spring Checks, Lever Handles, 12" Swing Nozzle & 1/2" NPT Male Inlets

Product Compliance:
 ASME A112.18.1 / CSA B125.1
 NSF 61 - Section 9
 NSF 372 (Low Lead Content)
 ANSI A117.1 (ADA)