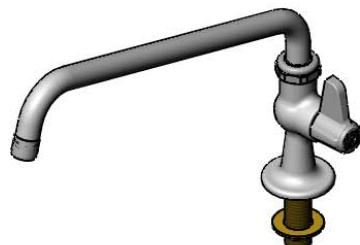
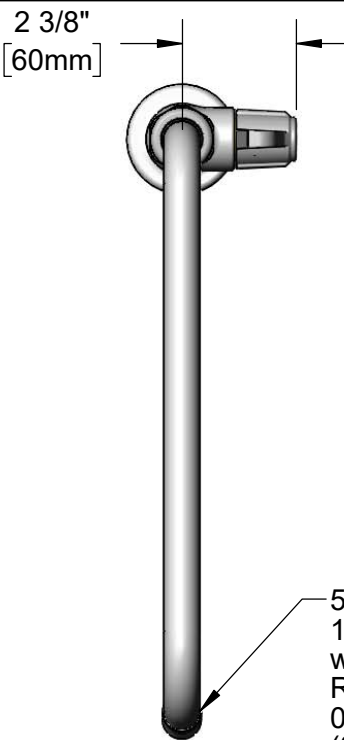


*This Space for Architect/Engineer Approval*

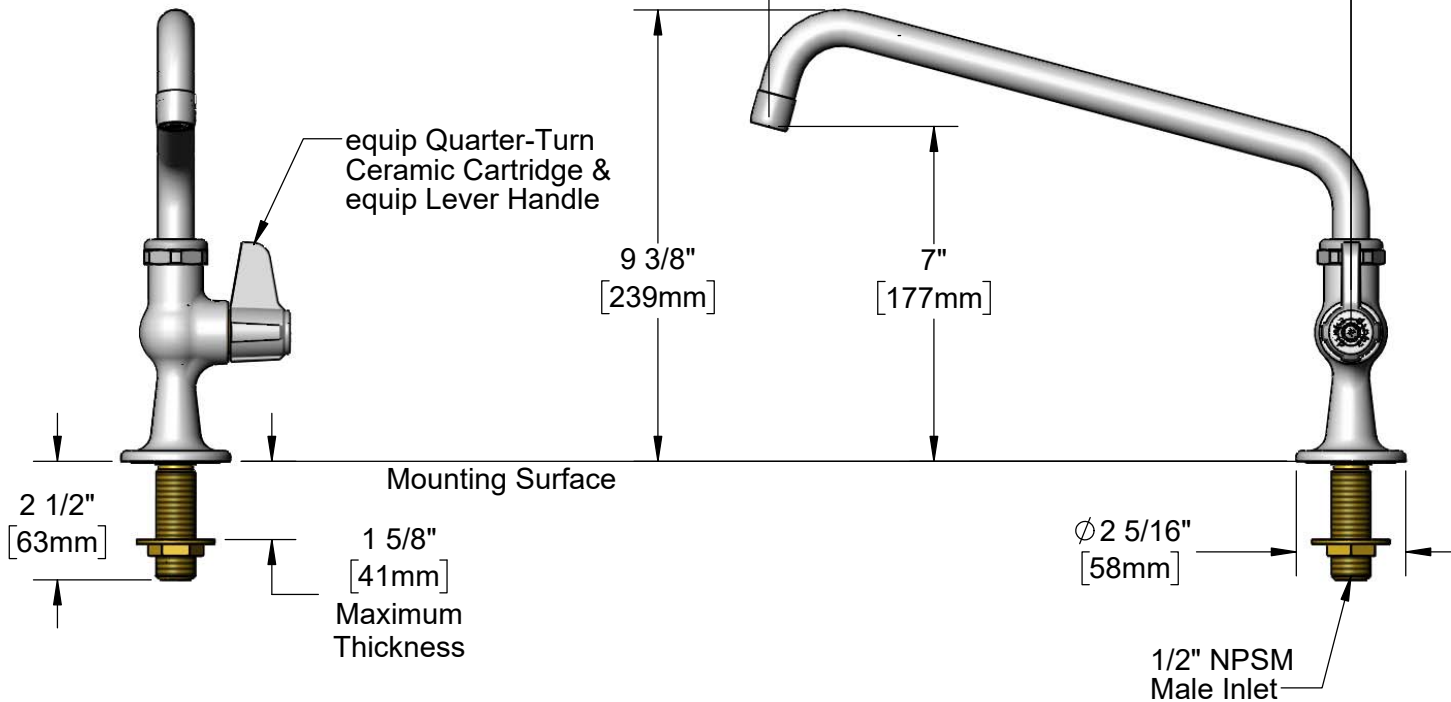
Job Name \_\_\_\_\_ Date \_\_\_\_\_  
 Model Specified \_\_\_\_\_ Quantity \_\_\_\_\_  
 Customer/Wholesaler \_\_\_\_\_  
 Contractor \_\_\_\_\_  
 Architect/Engineer \_\_\_\_\_



**ADA Compliant**



5SP-12-F15  
 12 1/8" equip Swing Nozzle  
 w/ 1.5 GPM Aerator.  
 Rigid Conversion Requires  
 014200-45 Lock Washer  
 (Sold Separately)



Rough-In Requirement:  
 Ø 1" [25mm] Mounting Hole

Model Number  
**5F-1SLX12-F15**

Product Specifications:  
 Single Supply Deck Mount Faucet w/ equip Quarter-Turn  
 Ceramic Cartridge, equip Lever Handle, 12 1/8" equip Swing  
 Nozzle with 1.5 GPM Aerator & 1/2" NPSM Male Inlet

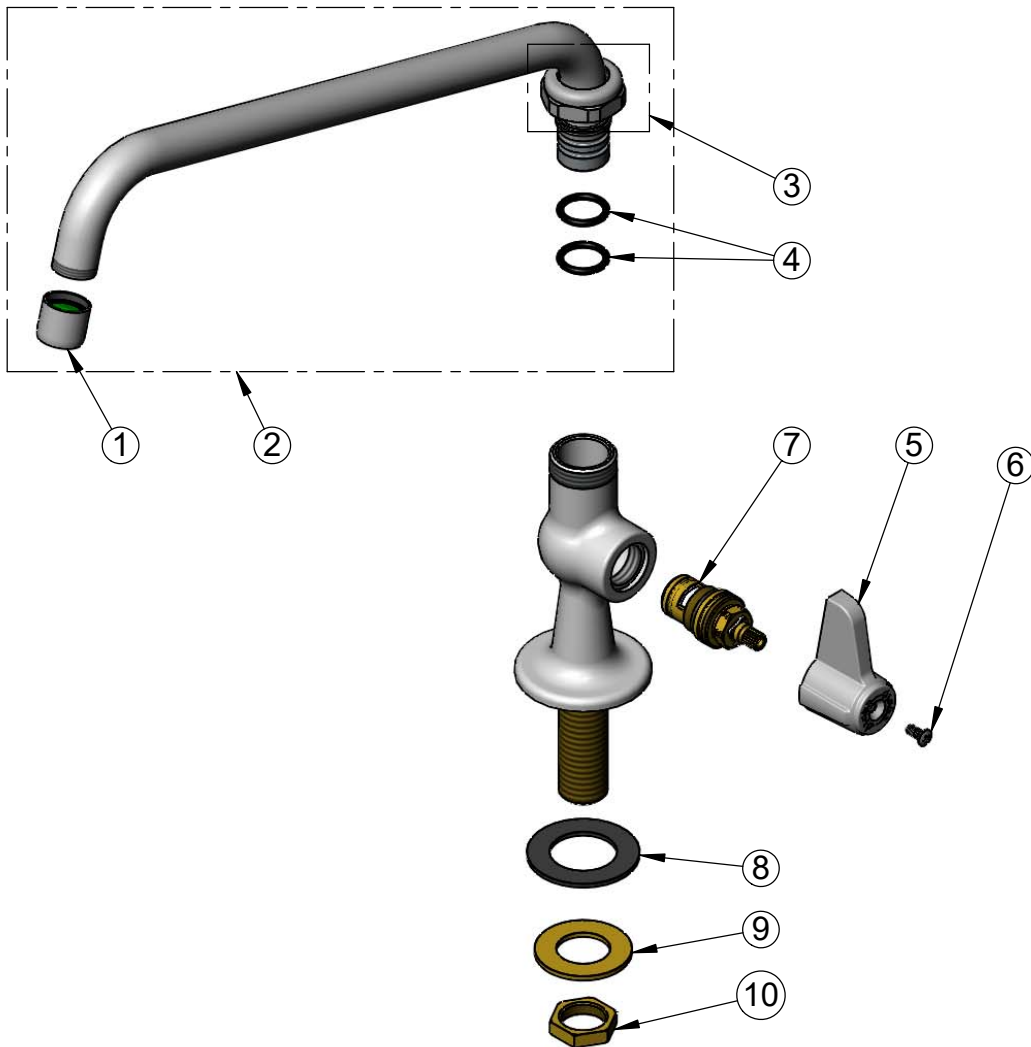
Product Compliance:  
 ASME A112.18.1 / CSA B125.1  
 NSF 61 - Section 9  
 NSF 372 (Low Lead Content)  
 ANSI A117.1 (ADA)

equip  
 Foodservice  
 Accessories

by

2 Saddleback Cove, P.O. Box 1088  
 Travelers Rest, South Carolina 29690  
 Phone: 800.891.4808 Fax: 800.868.0084  
 equip.tsbrass.com

ITEM NO.	SALES NO.	DESCRIPTION
1	SP-F15	1.5 GPM Aerator, 3/4-27 UN Female
2	5SP-12-F15	12 1/8" Swing Nozzle
3	013839-25	equip Swivel Nut
4	013848-45	O-Ring
5	5-HDL-L	equip Lever Handle w/ Color Coded Screws
6	013849-45	Screw, 4mm Metric (10)
7	013787-45	equip Quarter-Turn Ceramic Cartridge, RTC (Red)
8	014612-45	Deck Seal
9	000999-45	Brass Lock Washer
10	002954-45	Shank Lock Nut



Model Number

**5F-1SLX12-F15**

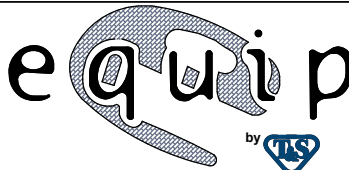
Product Specifications:

Single Supply Deck Mount Faucet w/ equip Quarter-Turn Ceramic Cartridge, equip Lever Handle, 12 1/8" equip Swing Nozzle with 1.5 GPM Aerator & 1/2" NPSM Male Inlet

Product Compliance:

ASME A112.18.1 / CSA B125.1  
NSF 61 - Section 9  
NSF 372 (Low Lead Content)  
ANSI A117.1 (ADA)

equip  
Foodservice  
Accessories



2 Saddleback Cove, P.O. Box 1088  
Travelers Rest, South Carolina 29690  
Phone: 800.891.4808 Fax: 800.868.0084  
equip.tsbrass.com