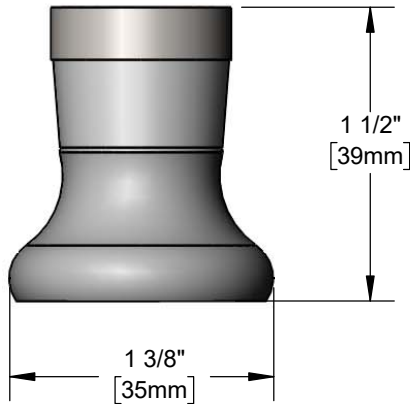




Architect/Engineering Specifications:

Rosespray with multi-laminar (non-aerated) spray pattern, 2.2 GPM flow disc regulator (yellow) and 55/64-27 UN adapter. Certified to ASME A112.18.1/CSA B125.1, NSF 61-Section 9 and NSF 372.

Job Name _____
 Model Specified _____ Quantity _____
 Variations Specified _____
 Date _____



Features & Benefits:

- Rosespray w/ multi-laminar (non-aerated) spray pattern
- 2.2 GPM flow disc regulator (yellow)
- 3/8" NPT male thread
- 3/8" NPT female to 55/64-27 UN female adapter
- Washers included
- Fits all Series 1 T&S nozzles
- Material: Brass body and adapter

Product Compliance:

- ASME A112.18.1 / CSA B125.1
- NSF 61 - Section 9
- NSF 372 (Low Lead Content)



Warranty: One Year (Limited)

Performance Data:

- Pressure: 20 - 125 psi
- Temperature: 40 °F - 140 °F
- Flow Rate: 2.2 GPM @ 60 psi

